

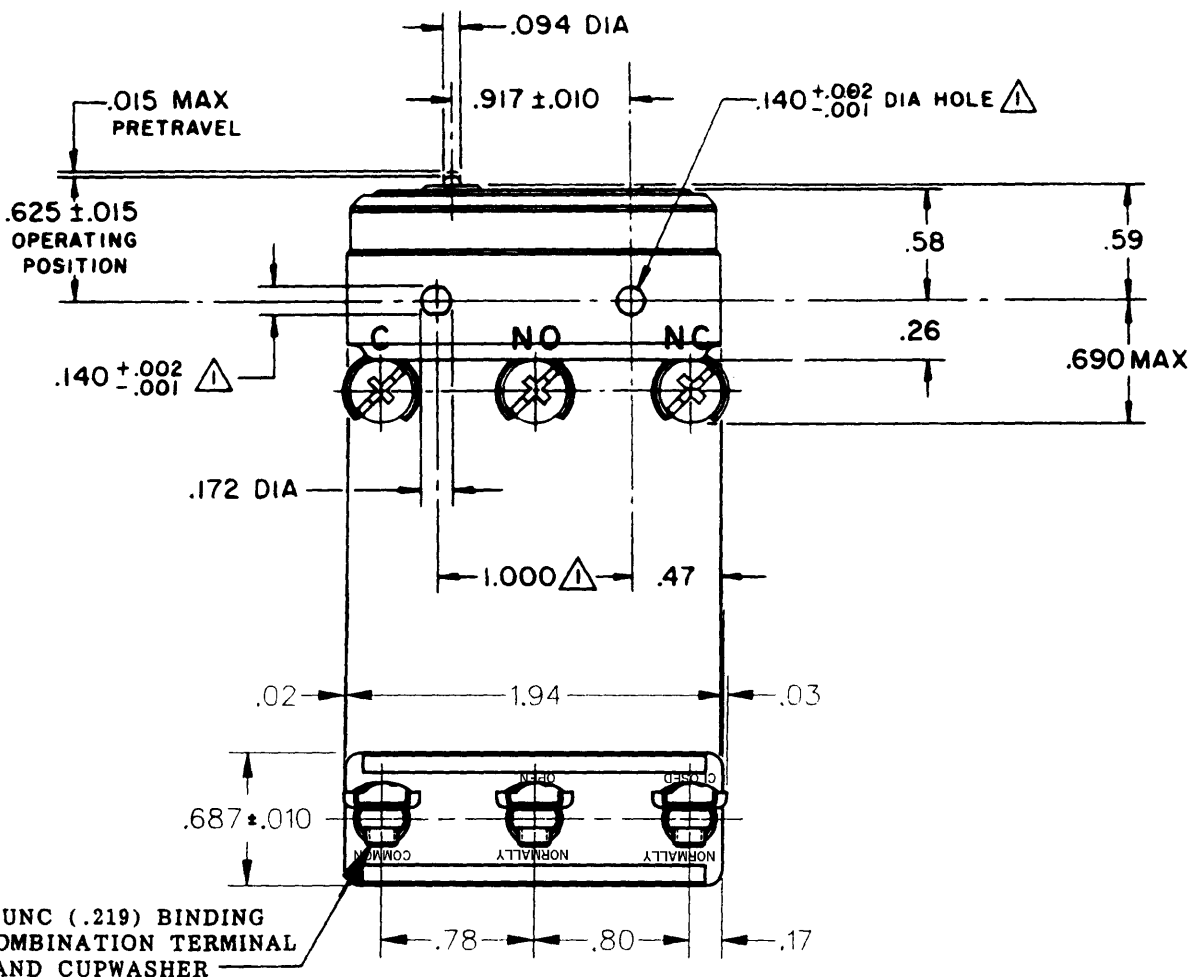


**MICRO SWITCH**  
 FREEPORT ILLINOIS  
 A DIVISION OF HONEYWELL  
 FED. MFG. CODE 91929

# SWITCH - BASIC

CATALOG LISTING  
**BZ-2R-P4**

JG05700



3X 8-32 UNC (.219) BINDING HEAD COMBINATION TERMINAL SCREW AND CUPWASHER

**NOTE**  
 $\triangle$  - MOUNTING HOLES WILL ACCEPT PINS OR SCREWS OF  $.139 \text{ MAX DIA}$  ON  $1.000 \pm .002$  CENTERS

THIS DRAWING COVERS A PROPRIETARY ITEM AND IS THE PROPERTY OF MICRO SWITCH, A DIVISION OF MINNEAPOLIS-HONEYWELL REGULATOR CO. THIS DRAWING IS NOT TO BE COPIED OR USED WITHOUT THE APPROVAL OF MICRO SWITCH.

CHARACTERISTICS	
OPERATING FORCE	9-13 OZ
RELEASE FORCE	4 OZ MIN
DIFFERENTIAL TRAVEL	.0004 - .0020
OVERTRAVEL	.005 MIN

ELECTRICAL DATA	
CONTACT ARRANGEMENT S P D T	
-L96-	15 A-125, 250, OR 480 VAC 1/2 A-125 VDC; 1/4 A-250 VDC 1/8 HP-125 VAC; 1/4 HP-250 VAC
-L288- -L306- -L315-	EN 05 EC T85 5E4

SCALE FULL	
DO NOT SCALE PRINT	
UNLESS OTHERWISE SPECIFIED DIMENSIONS ARE IN INCHES	
<b>TOLERANCES ARE:</b>	
ONE PLACE	(.0) $\pm .030$
TWO PLACE	(.00) $\pm .015$
THREE PLACE	(.000) $\pm .005$
ANGLES	$\pm$
WEIGHT .074 LB	

**BZ-2R-P4**  
 PAGE 1 OF 1  
**M**  
 DRAWING NUMBER  
 ISSUE  10  
 REVISIONS  
 A CO18851  
 S CH  
 16 FEB 63  
 B 73287-G  
 J A T  
 20 OCT 93  
 C CO-  
 75367B  
 K D R  
 3 MAR 94  
 D CO-  
 77863  
 G J W  
 2 MAY 96  
 E CO93346  
 D L T  
 4 SEP 98  
 F 0015138  
 S P K  
 29 AUG 05  
 CHECK 29 AUG 05  
 CHECK 4 APR 63  
 CHECK 16 FEB 63  
 DRAWN  
 FORMTEK  
 FO-80378