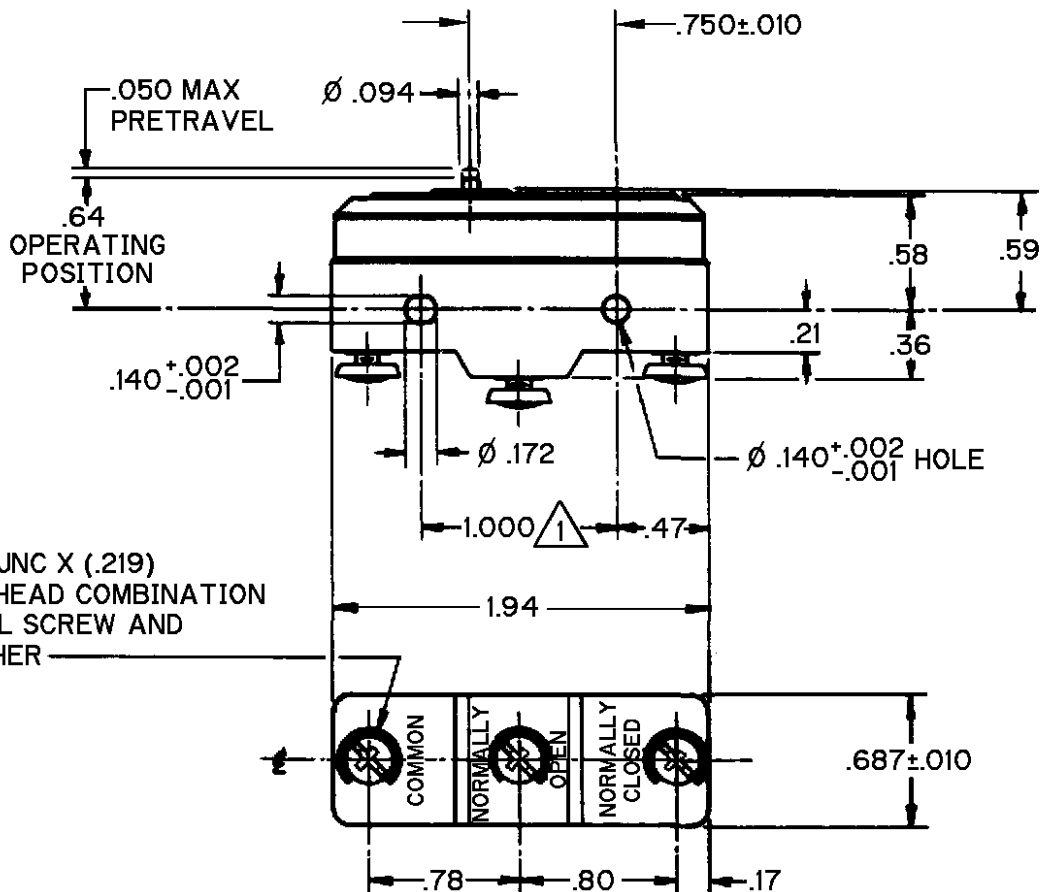


CATALOG LISTING  
**BA-2R-A2**  
PAGE 1 OF 1  
REPLACES  
ISSUE **8**  
CHECK  
REVISIONS  
**A** CO-95415  
CSL 23 JUL 99  
CHECK  
**JAF** 23 JUL 99  
CHECK  
**JAF** 23 JUL 99  
DRAWN  
**CSL** 23 JUL 99  
FORMTEK



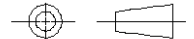
3X 6-32 UNC X (.219)  
BINDING HEAD COMBINATION  
TERMINAL SCREW AND  
CUPWASHER

**NOTE**  
MOUNTING HOLES WILL ACCEPT PINS OR SCREWS  
OF  $\phi$  .139 MAX ON 1.000±.002 CENTERS

ANSI Y14.5M-1982 APPLIES

THIS DRAWING COVERS A PROPRIETARY ITEM AND IS THE PROPERTY OF MICRO SWITCH, A DIVISION OF HONEYWELL. THIS DRAWING IS NOT TO BE COPIED OR USED WITHOUT THE APPROVAL OF MICRO SWITCH.

THIRD ANGLE PROJECTION



CHARACTERISTICS	ELECTRICAL DATA	SCALE FULL	DO NOT SCALE PRINT
OPERATING FORCE - - - - - 14 - 22 OZ RELEASE FORCE - - - - - 10 OZ MIN DIFFERENTIAL TRAVEL - - - .0020-.0075 OVERTRAVEL - - - - - .010 MIN BREAK DISTANCE - - - - - .020 MIN	CONTACT ARRANGEMENT S.P.D.T. L145 20A 125, 250 OR 480 VAC 10A 125 VAC "L" 1HP 125 VAC, 2HP 250 VAC 1/2A 125 VDC, 1/4A 250 VDC 2A 600 VAC L288 L299 L308	UNLESS OTHERWISE SPECIFIED TOLERANCES ARE ONE PLACE (.0) ±.030 TWO PLACE (.00) ±.015 THREE PLACE (.000) ±.005 ANGLES ±	WEIGHT .063 LB
	CE D RU ® 20(3)A 250V ~ T85 5E4		