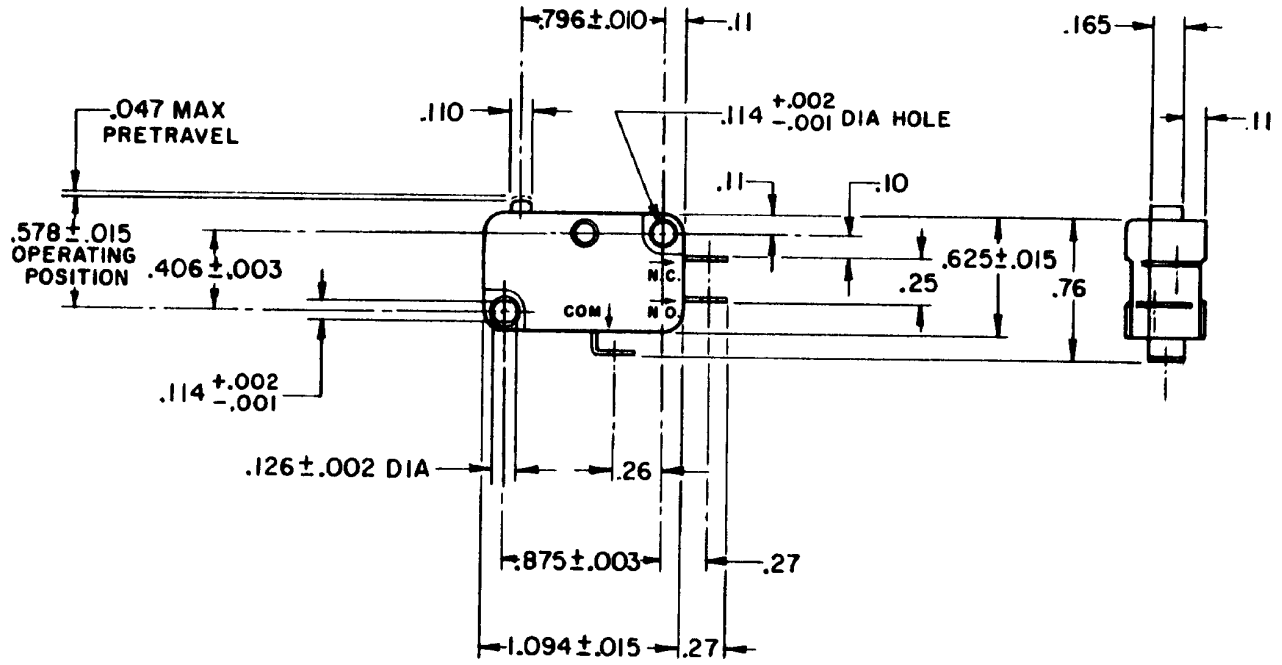
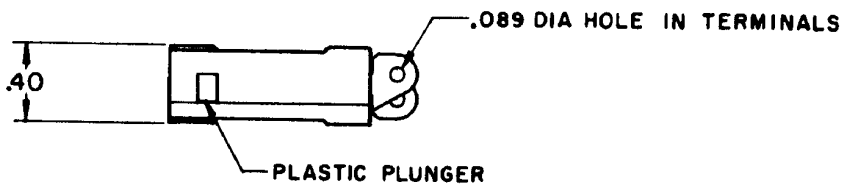


V3-19
 M
 DRAWING NUMBER
 ISSUE M12
 CHECK DEF 18 MAY 65
 REPLACES
 RELEASE NO.
 REVISIONS
 A CO20189
 12 MAY 65
 B CO21900
 D W C
 8 JAN 67
 C CO31509
 R E R
 22 JAN 73
 D CO 50997
 S W A
 1 OCT 89
 E CO74635
 K D R
 7 MAY 83
 CHECK GCH 14 MAY 65
 DRAWN
 M B F 12 MAY 65
 FO-50376



NOTE -
 1- TERMINALS ARE PLATED FOR SOLDERING

THIS DRAWING COVERS A PROPRIETARY ITEM AND IS THE PROPERTY OF MICRO SWITCH, A DIVISION OF HONEYWELL. THIS DRAWING IS NOT TO BE COPIED OR USED WITHOUT THE APPROVAL OF MICRO SWITCH.

CHARACTERISTICS	ELECTRICAL DATA	SCALE FULL
OPERATING FORCE — — — — 6 - 14 OZ	CONTACT ARRANGEMENT S P D T	DO NOT SCALE PRINT
RELEASE TRAVEL — — — — .007 MIN	L83 15.1A 1/2HP 125 OR 250 VAC 1/2A 125 VDC, 1/4A 250 VDC 5A 125 VAC "L" RJ ©	UNLESS OTHERWISE NOTED
RELEASE FORCE — — — — 4 OZ MIN		DIMENSIONS ARE IN INCHES
DIFFERENTIAL TRAVEL — — .006 — .016		TOLERANCES ARE:
OVERTRAVEL — — — — .040 MIN		ONE PLACE (.0) ±.030
FREE POSITION — — — — .625 MAX		TWO PLACE (.00) ±.015
		THREE PLACE (.000) ±.005
		ANGLES ±
		WEIGHT .016 LB