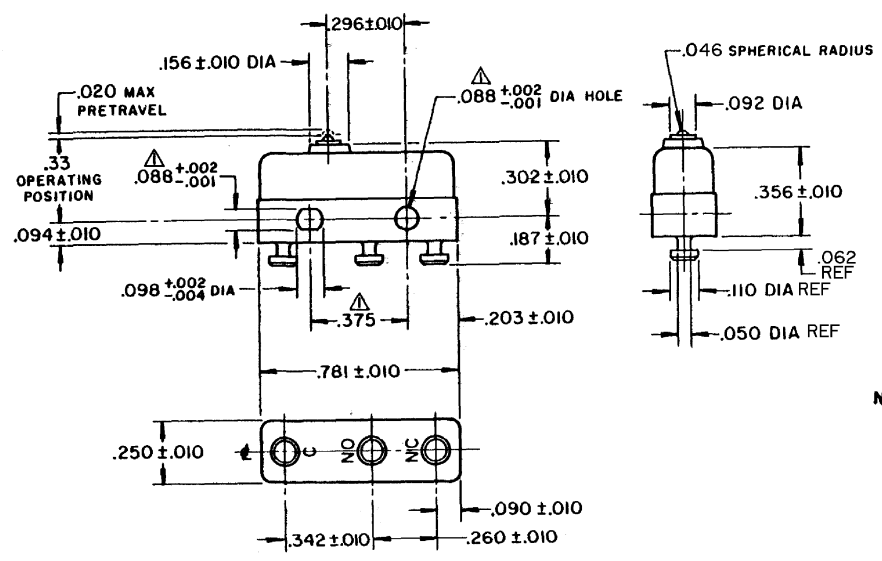
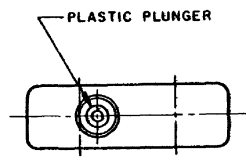


FO-55111-A

HONEYWELL
PART NUMBER
11SM701-T
PRODUCT CODE
TWY2000
JG-99426

REV	DOCUMENT	CHANGED BY	CHECK
9	0059258	MH 03DEC09	CMH



NOTE --
 ▲ MOUNTING HOLES WILL ACCEPT PINS OR SCREWS OF .087 MAX DIA ON .375 ± .002 CENTERS
 2-TERMINALS ARE PLATED FOR SOLDERING

RELEASE NO.	PR - 275
REPLACES	X38169 - SM

CHARACTERISTICS
OPERATING FORCE -- 56 GRAM MAX
RELEASE FORCE - - - 14 GRAM MIN
DIFFERENTIAL TRAVEL - - .002 MAX
OVERTRAVEL - - - - .005 MIN

ELECTRICAL DATA	
CONTACT ARRANGEMENT S P D T	
30 VOLTS DC RATING	
SEA LEVEL	50,000 FT
INDUCTIVE	3 AMP 2.5 AMP
RESISTIVE	5 AMP 5 AMP
MAXIMUM INRUSH 24 AMP	
UL, CSA	4A, 250 VAC
RI	®
BRAND	L119

DESIGN UNITS: INCH
TOLERANCES UNLESS NOTED:
NO PLACE .X ±
ONE PLACE .X ±
TWO PLACE .XX ±
THREE PLACE .XXX ±
FOUR PLACE .XXXX ±
ANGLES ±
THIRD ANGLE PROJECTION

DRAWN	VK	06 FEB 08
CHECK	RJ	06 FEB 08
THIS DRAWING COVERS A PROPRIETARY ITEM AND IS THE PROPERTY OF HONEYWELL. THIS DRAWING IS NOT TO BE COPIED OR USED WITHOUT THE PERMISSION OF HONEYWELL.		
INTERPRET PER ANSI Y14.5M-1982 OTHER HONEYWELL ENGINEERING STANDARDS MAY APPLY		
RASTER		

Honeywell			
TITLE SWITCH - BASIC			
SIZE	TYPE	DRAWING NAME	REV
B	I	11SM701-T	9
SCALE	-	WEIGHT .006 LB MAX	SHEET 1 OF 1

4

3

2

1