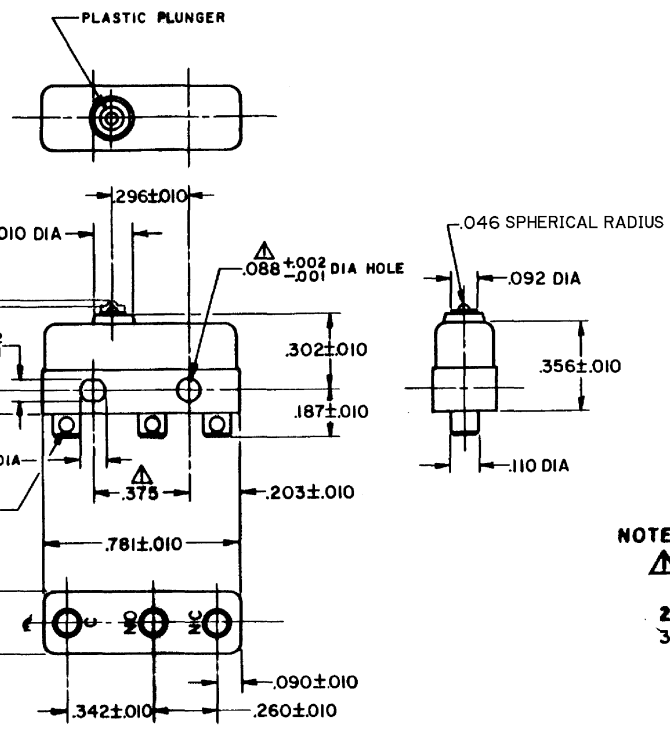


FO-55111-A

HONEYWELL  
PART NUMBER  
11SM3  
PRODUCT CODE  
TWT0300

REV	DOCUMENT	CHANGED BY	CHECK
11	0038090	VS 28APR08	BLR



**NOTE-**  
 ▲-MOUNTING HOLES WILL ACCEPT PINS OR SCREWS OF .087 MAX DIA ON .375±.002 CENTERS  
 2-TERMINALS ARE PLATED FOR SOLDERING  
 3-SWITCH WILL WITHSTAND TEMPERATURE OF 250° F

RELEASE NO.	-
REPLACES	-

CHARACTERISTICS
OPERATING FORCE - - - - 3 - 5 OZ
RELEASE FORCE - - - - - 1 OZ MIN
DIFFERENTIAL TRAVEL - - - .004 MAX
OVERTRAVEL - - - - - .005 MIN

ELECTRICAL DATA
CONTACT ARRANGEMENT S-P-D-T
30 VOLTS DC RATING
SEA LEVEL 50,000 FT
INDUCTIVE 3 AMP 2.5 AMP
RESISTIVE 5 AMP 5 AMP
MAXIMUM INRUSH 24 AMP
APPROVALS KEMA CE 5A, 250V ~ T85 1E4 UL CSA 5A, 250 VAC

DESIGN UNITS: INCH
TOLERANCES UNLESS NOTED:
NO PLACE .X ±
ONE PLACE .X ±
TWO PLACE .XX ±
THREE PLACE .XXX ±
FOUR PLACE .XXXX ±
ANGLES ±
THIRD ANGLE PROJECTION

DRAWN	VK	27 NOV 07
CHECK	RJ	27 NOV 07
THIS DRAWING COVERS A PROPRIETARY ITEM AND IS THE PROPERTY OF HONEYWELL. THIS DRAWING IS NOT TO BE COPIED OR USED WITHOUT THE PERMISSION OF HONEYWELL.		
INTERPRET PER ANSI Y14.5M-1982 OTHER HONEYWELL ENGINEERING STANDARDS MAY APPLY		
RASTER		

<b>Honeywell</b>			
TITLE SWITCH - BASIC			
SIZE <b>B</b>	TYPE <b>I</b>	DRAWING NAME <b>11SM3</b>	REV <b>11</b>
SCALE -	WEIGHT .006 LB MAX	SHEET 1 OF 1	