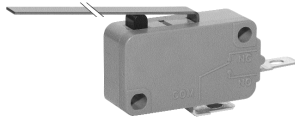


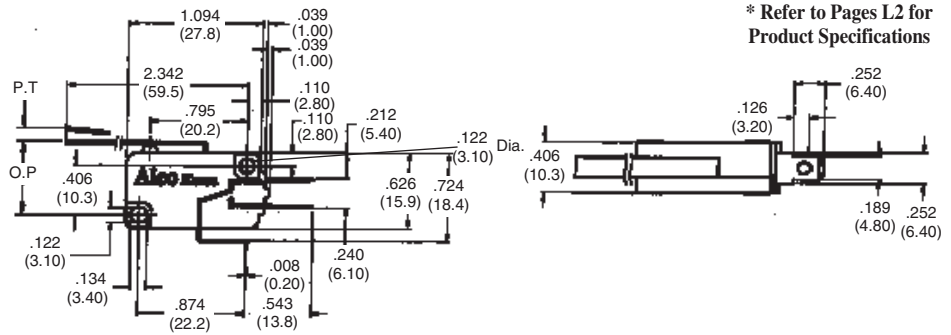
Miniature Long Lever

Spade/Solder Type Terminal



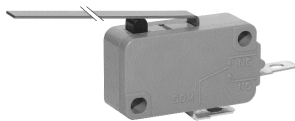
Product Facts

- n .187 [4.75] tab with solder holes
- n Use .187 [4.75] FASTON receptacles or solder wire directly to terminal
- n Long lever to increase travel and reduce operating force



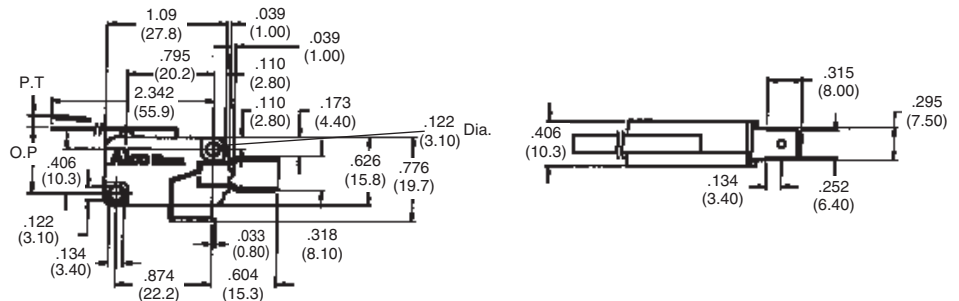
| AMP | Switch Position | Operating Force | Releasing Force | Pre Travel (P.T.) | Operating Position | Over Travel | Movement Differential | Part Number |
|------|-----------------|-----------------|-------------------|--------------------------|--------------------------|-------------------|-----------------------|-------------|
| 16 | SPDT | 30g | 5g | 7.5 m/m [.295] | 15.4 ±3.0 [.606±.118] | 2.6 m/m [.102] | 2.4 m/m [.094] | 1478603-4 |
| | | 60g | 10g | | | | | 1478604-4 |
| | | 90g | 15g | | | | | 1478605-4 |
| | SPNC | 30g | 5g | 7.5 m/m [.295] | 15.4 ±3.0 [.606±.118] | 2.6 m/m [.102] | 2.4 m/m [.094] | 1478609-4 |
| | | 60g | 10g | | | | | 1478610-4 |
| | | 90g | 15g | | | | | 1478611-4 |
| SPNO | 30g | 5g | 7.5 m/m [.295] | 15.4 ±3.0 [.606±.118] | 2.6 m/m [.102] | 2.4 m/m [.094] | 1478615-4 | |
| | 60g | 10g | | | | | 1478616-4 | |
| | 90g | 15g | | | | | 1478617-4 | |
| 5 | SPDT | 30g | 5g | 7.5 m/m [.295] | 15.4 ±3.0 [.606±.118] | 2.6 m/m [.102] | 2.4 m/m [.094] | 1478667-4 |
| | SPNC | | | | | | | 1478668-4 |
| | SPNO | | | | | | | 1478669-4 |
| 0.1 | SPDT | 15g | 3g | 7.5 m/m [.295] | 15.4 ±3.0 [.606±.118] | 2.6 m/m [.102] | 2.4 m/m [.094] | 1478670-4 |
| | SPNC | | | | | | | 1478671-4 |
| | SPNO | | | | | | | 1478672-4 |

Spade Type Terminal



Product Facts

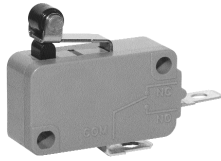
- n .250 [6.35] tab for use with .250 [6.35] FASTON receptacles
- n Long lever to increase travel and reduce operating force



| AMP | Switch Position | Operating Force | Releasing Force | Pre Travel (P.T.) | Operating Position | Over Travel | Movement Differential | Part Number |
|------|-----------------|-----------------|-------------------|--------------------------|--------------------------|-------------------|-----------------------|-------------|
| 16 | SPDT | 30g | 5g | 7.5 m/m [.295] | 15.4 ±3.0 [.606±.118] | 2.6 m/m [.102] | 2.4 m/m [.094] | 1478606-4 |
| | | 60g | 10g | | | | | 1478607-4 |
| | | 90g | 15g | | | | | 1478608-4 |
| | SPNC | 30g | 5g | 7.5 m/m [.295] | 15.4 ±3.0 [.606±.118] | 2.6 m/m [.102] | 2.4 m/m [.094] | 1478612-4 |
| | | 60g | 10g | | | | | 1478613-4 |
| | | 90g | 15g | | | | | 1478614-4 |
| SPNO | 30g | 5g | 7.5 m/m [.295] | 15.4 ±3.0 [.606±.118] | 2.6 m/m [.102] | 2.4 m/m [.094] | 1478618-4 | |
| | 60g | 10g | | | | | 1478619-4 | |
| | 90g | 15g | | | | | 1478620-4 | |

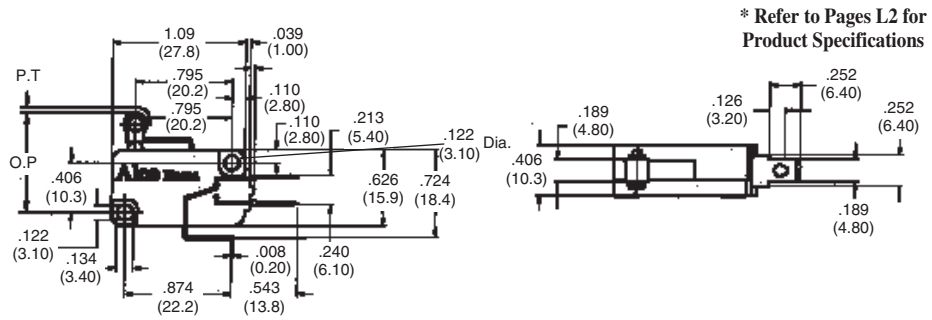
Miniature Short Roller

Spade/Solder Type Terminal



Product Facts

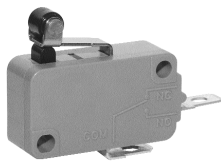
- n .187 [4.75] tab with solder holes
- n Use .187 [4.75] FASTON receptacles or solder wire directly to terminal
- n Short roller to increase operating force and position



* Refer to Pages L2 for Product Specifications

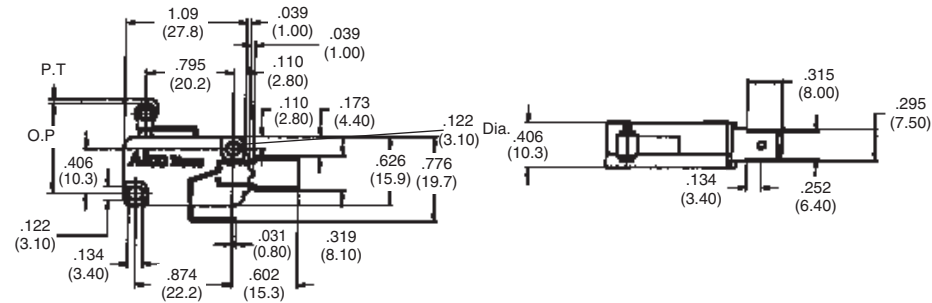
| AMP | Switch Position | Operating Force | Releasing Force | Pre Travel (P.T.) | Operating Position | Over Travel | Movement Differential | Part Number |
|------|-----------------|-----------------|-------------------|--------------------------|--------------------------|-------------------|-----------------------|-------------|
| 16 | SPDT | 140g | 20g | 1.6 m/m [.063] | 20.7 ±0.8 [.815±.003] | 0.8 m/m [.031] | 0.4 m/m [.016] | 1478603-5 |
| | | 240g | 50g | | | | | 1478604-5 |
| | | 350g | 70g | | | | | 1478605-5 |
| | SPNC | 140g | 20g | 1.6 m/m [.063] | 20.7 ±0.8 [.815±.003] | 0.8 m/m [.031] | 0.4 m/m [.016] | 1478609-5 |
| | | 240g | 50g | | | | | 1478610-5 |
| | | 350g | 70g | | | | | 1478611-5 |
| SPNO | 140g | 20g | 1.6 m/m [.063] | 20.7 ±0.8 [.815±.003] | 0.8 m/m [.031] | 0.4 m/m [.016] | 1478615-5 | |
| | 240g | 50g | | | | | 1478616-5 | |
| | 350g | 70g | | | | | 1478617-5 | |
| 5 | SPDT | 140g | 20g | 1.6 m/m [.063] | 20.7 ±0.8 [.815±.003] | 0.8 m/m [.031] | 0.4 m/m [.016] | 1478667-5 |
| | SPNC | | | | | | | 1478668-5 |
| | SPNO | | | | | | | 1478669-5 |
| 0.1 | SPDT | 60g | 12g | 1.6 m/m [.063] | 20.7 ±0.8 [.815±.003] | 0.8 m/m [.031] | 0.4 m/m [.016] | 1478670-5 |
| | SPNC | | | | | | | 1478671-5 |
| | SPNO | | | | | | | 1478672-5 |

Spade Type Terminal



Product Facts

- n .250 [6.35] tab for use with .250 [6.35] FASTON receptacles
- n Short roller to increase operating force and position



| AMP | Switch Position | Operating Force | Releasing Force | Pre Travel (P.T.) | Operating Position | Over Travel | Movement Differential | Part Number |
|------|-----------------|-----------------|-------------------|--------------------------|--------------------------|-------------------|-----------------------|-------------|
| 16 | SPDT | 140g | 20g | 1.6 m/m [.063] | 20.7 ±0.8 [.815±.003] | 0.8 m/m [.031] | 0.4 m/m [.016] | 1478606-5 |
| | | 240g | 50g | | | | | 1478607-5 |
| | | 350g | 70g | | | | | 1478608-5 |
| | SPNC | 140g | 20g | 1.6 m/m [.063] | 20.7 ±0.8 [.815±.003] | 0.8 m/m [.031] | 0.4 m/m [.016] | 1478612-5 |
| | | 240g | 50g | | | | | 1478613-5 |
| | | 350g | 70g | | | | | 1478614-5 |
| SPNO | 140g | 20g | 1.6 m/m [.063] | 20.7 ±0.8 [.815±.003] | 0.8 m/m [.031] | 0.4 m/m [.016] | 1478618-5 | |
| | 240g | 50g | | | | | 1478619-5 | |
| | 350g | 70g | | | | | 1478620-5 | |

Miniature Short Roller