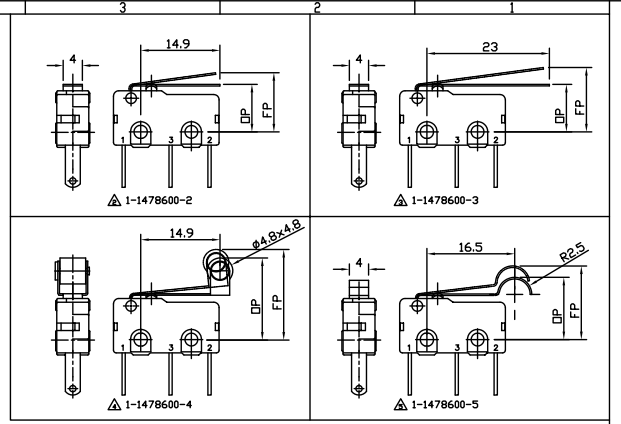
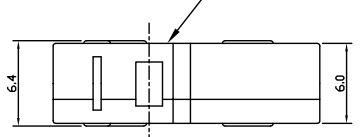
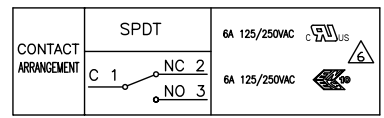


△ 1-1478600-1

TE LOGO AND PART NUMBER MARKED IN THIS AREA



SPECIFICATIONS	
Rating	6A 125/250V AC
Contact Resistance	50 mΩ max.
Insulation Resistance	100 MΩ min. DC500V
Dielectric Strength	1000V AC 1 minute
Mechanical Life	1,000,000 cycles
Electrical Life	50,000 cycles @6A 250V, resistive load
Operating Temperature Range	-40°C to +125°C RH 85% max.
Soldering Temperature	260 ± 5°C 3sec



- NOTES:
- FOR TECHNICAL DATA REFER TO YOUR LOCAL TYCO ELECTRONICS SALES OFFICE.
 - ALL DIMENSIONS ARE NOMINAL. FOR REFERENCE ONLY UNLESS OTHERWISE STATED.
 - ALL DIMENSIONS ARE COMMON TO THE MAIN BODY. VARIATIONS ARE IN THE OPERATING LEVERS.
 - OP: OPERATING POSITION
FP: FREE POSITION

△ VDE/ENEC APPROVAL IN PROGRESS

TE SALES PART NO.	TE PART NO.	DESCRIPTION	CHARACTERISTICS						△
			Operating Force	Releasing Force	Pre Travel	Operating	Over Travel	Movement Differential	
SP6DTCOLE	1-1478600-1	Microswitch, Pin Plunger	160 ±10 g	35 g	0.6 mm	8.4 ±0.3 mm	0.5 mm	0.2 mm	△
SP6DTCNLE	1-1478600-2	Microswitch, Norm Lever	45 ±15 g	8 g	3.0 mm	9.4 ±1.0 mm	1.0 mm	1.0 mm	△
SP6DTCLE	1-1478600-3	Microswitch, Long Lever	25 ±10 g	5 g	3.7 mm	10.0 ±1.5 mm	1.5 mm	1.5 mm	△
SP6DTCNRE	1-1478600-4	Microswitch, Norm Roller	40 ±15 g	8 g	2.5 mm	15.0 ±0.8 mm	1.0 mm	1.0 mm	△
SP6DTCME	1-1478600-5	Microswitch, Simu Roller	45 ±15 g	10 g	2.6 mm	10.8 ±0.8 mm	1.0 mm	1.0 mm	△

7	CONTACT	Ag ALLOY	
6	TERMINAL	BRASS SILVER PLATED	
5	TERMINAL	BRASS SILVER PLATED	
4	TERMINAL	BRASS SILVER PLATED	
3	BUTTON	PBT RESIN	BLACK
2	COVER	PBT RESIN	GREY
1	BASE	PBT RESIN	GREY
PART NO.	PART NAME	MATERIAL/SURFACE	OPTIONAL DESCRIPTION
PART LIST			
test dimen / Prüfmaß () auxiliary dimen / Hilfsmaß () theor. dimen / theor. Maß ()			
production control dimen / Fertigungsdimensionen () dimen for measure, technology / mess techn. rel. Maß () ()			
DEPARTMENT		DSE / RSF	
POWER		27-03-08SAC08712	
CHECKED			
APPROVED			
T	21-04-09	VEN	
EDR-NO	DATE	NAME	
TOLERANCES SPECIFIED		APPROVED	
SFD		DATE	
SCALE	1:1	DATE	NAME
TOLERANCES UNLESS OTHERWISE SPECIFIED			
MICRO SWITCH 6A 160g RANGE #110 QUICK CONNECT TERMINAL			
DRAWING NO.		1-1478600	
REPLACEMENT FOR		SNG LOC NO. IF SHEET 1 OF 1 REVISION T	
THIS DRAWING IS A CONTROLLED DOCUMENT, HANDWRITTEN CHANGES ARE NOT ALLOWED			

THIS INFORMATION IS CONFIDENTIAL AND PROPRIETARY TO TYCO ELECTRONICS AMSTERDAM B.V. AND ITS CONTROLLED SUBSIDIARIES AND AFFILIATES. IT MAY NOT BE DISCLOSED TO ANYONE OTHER THAN THOSE EMPLOYEES OF TYCO ELECTRONICS AMSTERDAM B.V.