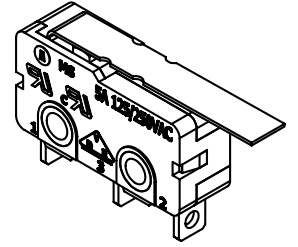
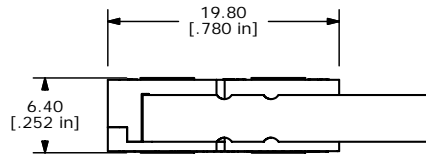
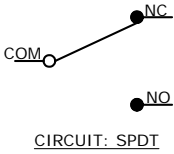
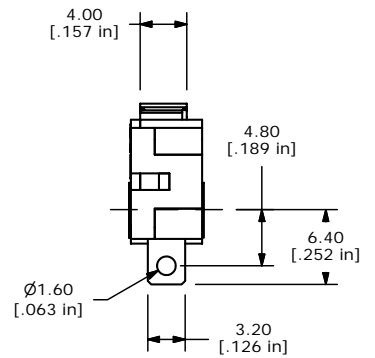
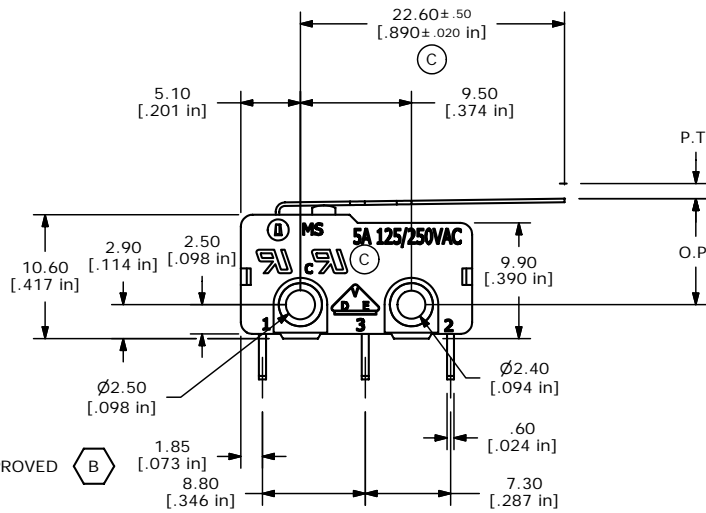


O.P. (MM)	P.T. (MM)
9.5 ±0.8	4.2 MAX

O.P. = OPERATING POINT  
P.T. = PRE-TRAVEL



ISOMETRIC



- NOTES:
1. ALL DIMENSIONS IN MM [INCH]
  2. GENERAL TOLERANCE: X.X=±0.4  
X.XX=±0.25
  3. RATING: 5A @125/250VAC UL, CUL, VDE, APPROVED
  - ▲ 4. OPERATING FORCE: 0.25±12 GRAMS
  5. OPERATING TEMP: -25°C TO 85°C
  6. ELECTRICAL LIFE: 50,000 CYCLES MIN.
  7. MECHANICAL LIFE: 1,000,000 CYCLES TYP.
  8. INSULATION RESISTANCE: 100 MΩ
  9. DIELECTRIC STRENGTH: 1000VAC 1 MINUTE (INITIAL VALUE)
  10. CONTACT RESISTANCE: 100 MILLI-OHMS MAX.
  11. ▲ DENOTES CRITICAL PARAMETER.
  12. 2002/95/EC (ROHS) COMPLIANT

E	15702	DIM FROM 5.15 TO 5.10	1/25/06	PH
D	15610	CHANGE RATING ON SWITCH	12/15/05	PH
C	15599	CHANGES NOTED	12/12/05	PH
B	15090	CORRECTED NOTE 3	7/12/05	JB
A	15002	RELEASED FOR PRODUCTION	6/30/05	JB
REV	PCR NO	DESCRIPTION	DATE	BY

**E-SWITCH®**

TITLE MS0850503F025S1A

SCALE 2:1	DATE 6/30/2005	DR JB	DWG Q970016	REV E
-----------	----------------	-------	-------------	-------

THE INFORMATION CONTAINED IN THIS DOCUMENT IS PROPRIETARY TO E-SWITCH AND IS NOT TO BE COPIED OR TRANSFERRED