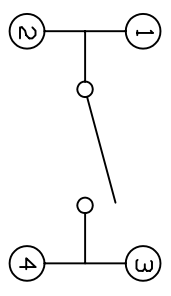
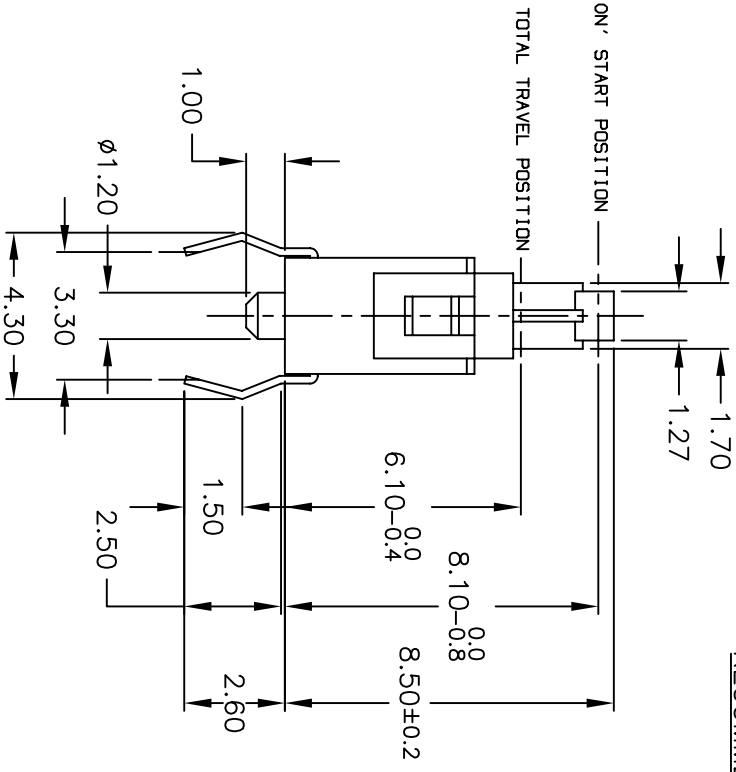


RECOMMEND P.C.B. LAYOUT



CONTACT CONFIGURATION

- NOTES:
1. ALL DIMENSIONS IN MM
 2. TERM. NOS. FOR REF. ONLY
 3. OPERATING FORCE: 36 gf. max.
 4. RATING: 0.1A, @30V (Resistive Load)
 5. INITIAL CONTACT RESISTANCE: 1 ohm max.
 6. OPERATION LIFE WITHOUT LOAD: 50,000 Cycle

REV.	DESCRIPTION	DATE	CHKD
A	RELEASED FOR PRODUCTION		

TOLERANCES	
0.0	±0.4
0.00	±0.25

TITLE		SCALE	DATE	DR	DWG	REV
TD 1104		5:1	8/28/98	MM	P200014	A

E-SWITCH®