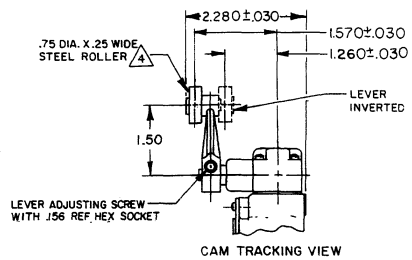
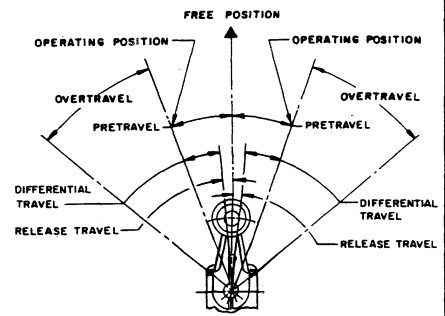
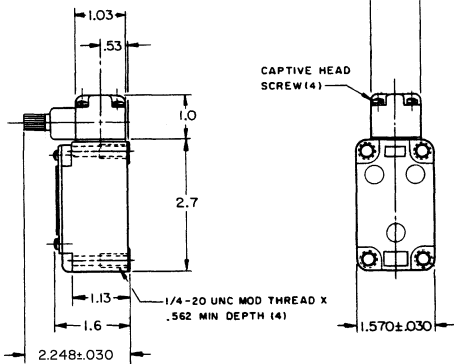
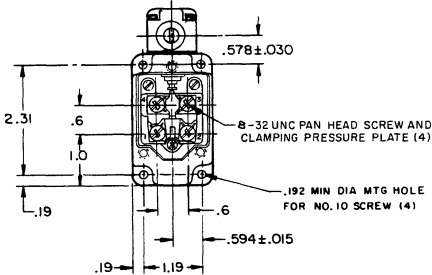
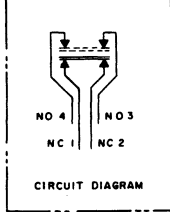
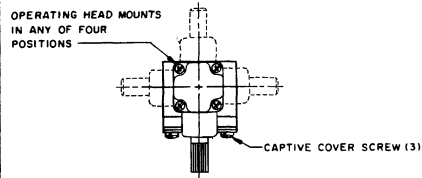


CATALOG LISTING 1LS19 PAGE 1 OF 1
 ISSUE 20
 REVISIONS
 A 10/24/83-B
 B 10/24/83-B
 C 10/24/83-B
 D 10/24/83-B
 E 10/24/83-B
 F 10/24/83-B
 G 10/24/83-B
 H 10/24/83-B
 I 10/24/83-B
 J 10/24/83-B
 K 10/24/83-B
 L 10/24/83-B
 M 10/24/83-B
 N 10/24/83-B
 O 10/24/83-B
 P 10/24/83-B
 Q 10/24/83-B
 R 10/24/83-B
 S 10/24/83-B
 T 10/24/83-B
 U 10/24/83-B
 V 10/24/83-B
 W 10/24/83-B
 X 10/24/83-B
 Y 10/24/83-B
 Z 10/24/83-B
 FORMTEK
 DRAWN
 O.M.W. | B.FEB. | G3.CHECK | D.A.N.V. | E.O.M.A.S.S.A. | CHECK

MICRO SWITCH
 FREEPORT, ILLINOIS, U.S.A.
 A DIVISION OF HONEYWELL
 FED. MFG. CODE 9189

SWITCH - ENCLOSED

CATALOG LISTING
1LS19



THIS DRAWING COVERS A PROPRIETARY ITEM AND IS THE PROPERTY OF MICRO SWITCH, A DIVISION OF MINNEAPOLIS-HONEYWELL REGULATOR CO. THIS DRAWING IS NOT TO BE COPIED OR USED WITHOUT THE APPROVAL OF MICRO SWITCH.

CHARACTERISTICS	ELECTRICAL DATA	SCALE 1/2 TO 1
OPERATING TORQUE --- 4.5 IN-LB MAX	CONTACT ARRANGEMENT (SEE CIRCUIT DIAGRAM)	DO NOT SCALE PRINT
FULL OVERTRAVEL TORQUE --- 6 IN-LB MAX		UNLESS OTHERWISE NOTED
RELEASE TORQUE --- .75 IN-LB MIN	10A - 120, 240 OR 480 VAC	DIMENSIONS ARE IN INCHES
PRETRAVEL --- 5° MAX	1/4 HP - 120 VAC; 1/2 HP - 240 VAC	TOLERANCES ARE:
	PILOT DUTY: 400 VAC MAX.	ONE PLACE (.0) 1.000
OVERTRAVEL --- 30° MIN		TWO PLACE (.00) 2.019
RELEASE TRAVEL --- 0°30' MIN		THREE PLACE (.000) 2.008
SWITCH-BASIC REPLACEMENT --- 2MNB		ANGLES 2
		WEIGHT

- NOTES
- 1-SWITCH IS ASSEMBLED FOR ACTUATION IN BOTH DIRECTIONS BUT MAY BE ADJUSTED TO ACTUATE IN EITHER THE CLOCKWISE DIRECTION ONLY OR THE COUNTERCLOCKWISE DIRECTION ONLY
 - 2- TO CONVERT SWITCH FOR ACTUATION IN EITHER THE CLOCKWISE OR COUNTERCLOCKWISE DIRECTION ONLY, REMOVE ACTUATOR HEAD AND ROTATE THE NOTCHED PLUNGER 90° TO THE RIGHT FOR CLOCKWISE ACTUATION OR 90° TO THE LEFT FOR COUNTERCLOCKWISE ACTUATION
- ⚠ SEAL TO BE FURNISHED BY USER
- ⚠ ROLLER LEVER MAY BE LOCKED IN ANY POSITION THRU 360°
- 5- LEVER FURNISHED UNASSEMBLED IN UNIT PACKING BOX