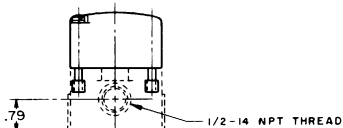
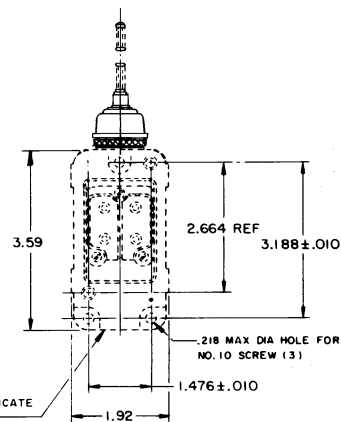
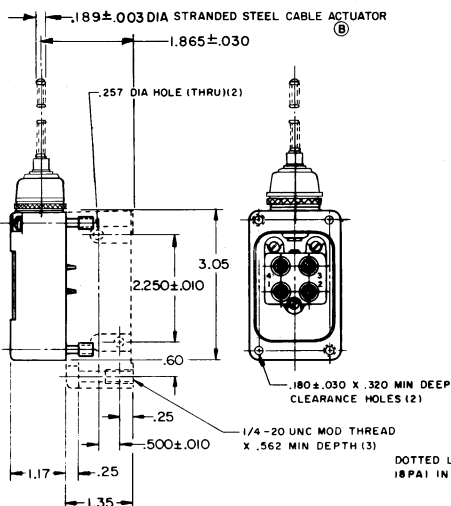
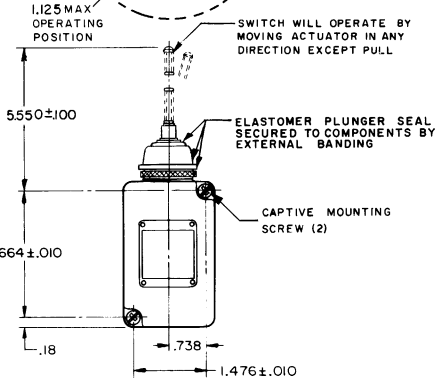
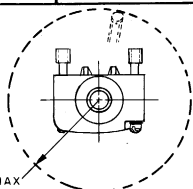
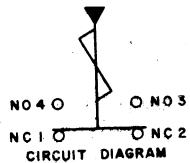


**MICRO SWITCH**  
 FREEPORT, ILLINOIS, U.S.A.  
 A DIVISION OF HONEYWELL  
 FED. MFG. CODE 91929

**SWITCH - ENCLOSED**

CATALOG LISTING  
**208LS1**



THIS DRAWING COVERS A PROPRIETARY ITEM AND IS THE PROPERTY OF MICRO SWITCH, A DIVISION OF MINNEAPOLIS-HONEYWELL REGULATOR CO. THIS DRAWING IS NOT TO BE COPIED OR USED WITHOUT THE APPROVAL OF MICRO SWITCH.

CHARACTERISTICS	ELECTRICAL DATA	SCALE 1/2 TO 1
OPERATING FORCE ----- 5 OZ MAX	CONTACT ARRANGEMENT (SEE CIRCUIT DIAGRAM)	DO NOT SCALE PRINT
FORCE AT 2.0 ----- 10 OZ MAX	38A-130, 240, OR 480 VAC; 1/4 HP - 120 VAC 1/2 HP - 240 VAC; 9.8A - 115 VDC; 0.4A - 230 VDC 1A - 550 VDC PILOT DUTY: 600 VAC MAX	UNLESS OTHERWISE NOTED
SWITCH - BASIC REPLACEMENT --- 2MNS		DIMENSIONS ARE IN INCHES
		ONE PLACE (.01) 1.000
		TWO PLACE (.00) 1.018
		THREE PLACE (.000) 1.008
		ANGLES 2
		WEIGHT

208LS1  
 PAGE 1 OF 1  
 M  
 DRAWING NUMBER  
 ISSUE  
 REVISIONS  
 A COB200  
 WES  
 24 JUNE 65  
 B CO24012  
 R  
 05 OCT 68  
 C CO25152  
 19 APR 69  
 D  
 22 OCT 68  
 E CO94484  
 22 MAR 99  
 W E G 24 JUNE 65  
 DRAWN  
 CHECK  
 L  
 FORMTEK  
 FD-30378-003