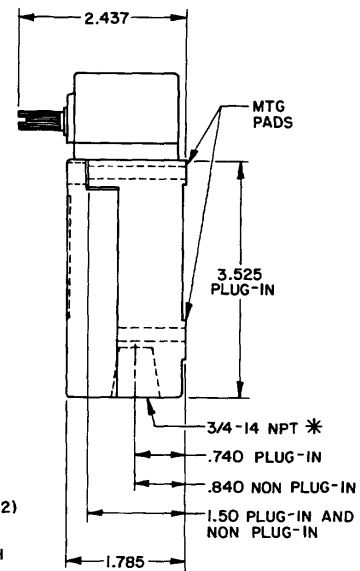
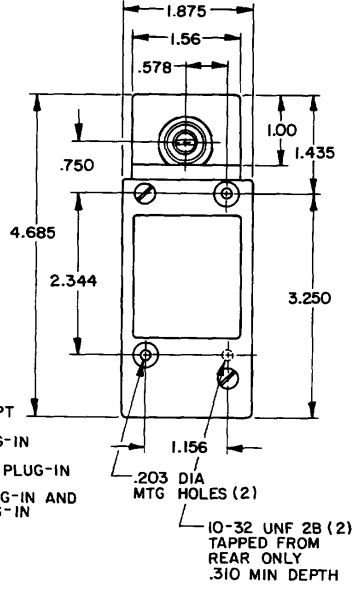
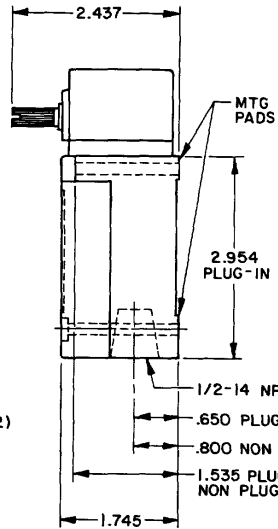
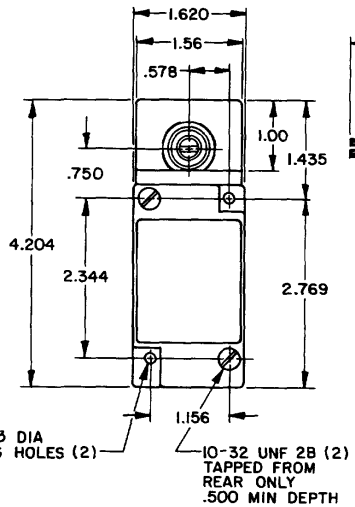


OPERATING CHARACTERISTICS	LSYA		LSYR		LSYN	LSPY		LSYH		LSYL	LSYM	LSYS	LSYU	
	MOMENTARY		MOMENTARY		MAINTAINED	MOMENTARY		MOMENTARY		SEQUENCE	CENTER NEUTRAL	GRAVITY RETURN	LOW PRETRAVEL	
PRETRAVEL(MAX)	15°		15°		65°	9°		9°		DOUBLE POLE ONLY	DOUBLE POLE ONLY	NOT APPLICABLE	5°	
OVERTRAVEL(MIN)	60°		60°		20°	68°		68°		1ST STEP 15° 2ND STEP 10° ADD'L	57°	NOT APPLICABLE	70°	
DIFFERENTIAL TRAVEL(MAX)	SINGLE POLE	DOUBLE POLE	SINGLE POLE	DOUBLE POLE	40°	SINGLE POLE	DOUBLE POLE	SINGLE POLE	DOUBLE POLE	5°	10°	12°	SGL POLE	DBL POLE
	5°	7°	5°	7°		3°	4°	3°	4°				3°	4°
TOTAL TRAVEL (REF)	75°		75°		90°	75°		75°		75°	75°	360°	75°	
OPERATING TORQUE(MAX)	4 IN. LBS		1.7 IN. LBS		4 IN. LBS	4 IN. LBS		1.7 IN. LBS		4 IN. LBS	4 IN. LBS	5 IN-OZ	4 IN. LBS	
FULL TRAVEL TORQUE(MAX)	4 IN. LBS		1.7 IN. LBS		4 IN. LBS	4 IN. LBS		1.7 IN. LBS		4 IN. LBS	4 IN. LBS	5 IN-OZ	4 IN. LBS	

SIDE ROTARY

SINGLE POLE

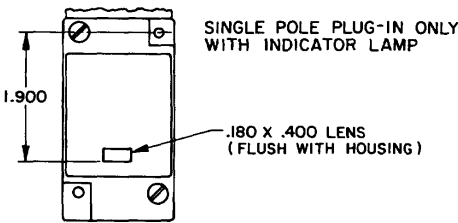
DOUBLE POLE



FLOUROSILICONE SEALS: LSYAB1, LSYHB1, LSYNB1, LSYPB1, LSYRB1, LSYHB3, LSYPB3, LSYRB3, LSYSB1
 VITON: LSYAC1, LSYHC1, LSYNC1, LSYPC1, LSYRC1, LSYAC3, LSYHC3, LSYNC3, LSYPC3, LSYRC3, LSYSC1

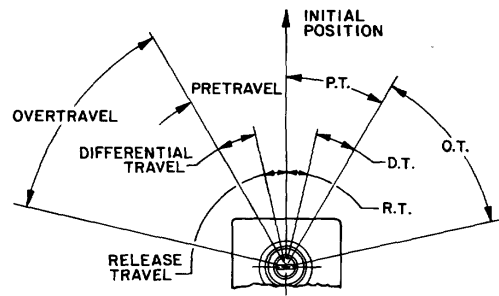
FLOUROSILICONE SEALS: LSYAB2, LSYHB2, LSYNB2, LSYPB2, LSYRB2, LSYAB4, LSYHB4, LSYNB4, LSYPB4, LSYRB4
 * (LSYAB6, LSYHB6, LSYNB6, LSYPB6, LSYRB6, LSYAB7, LSYHB7, LSYNB7, LSYPB7, LSYRB7 HAVE 1/2-14 CONDUIT HOLE)

VITON SEALS: LSYAC2, LSYHC2, LSYNC2, LSYPC2, LSYRC2, LSYAC4, LSYHC4, LSYNC4, LSYPC4, LSYRC4, LSYMC2, LSYMC4, LSYMC6, LSYMC7, LSYLC2, LSYLC4, LSYLC6, LSYLC7



SINGLE POLE PLUG-IN ONLY WITH INDICATOR LAMP

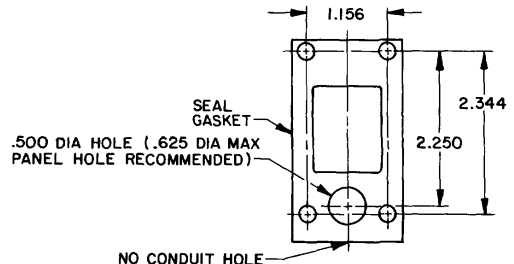
OPERATING DATA-SIDE ROTARY



120 LAMP VOLTAGE - TYPE LSYAB5, LSYHB5, LSYNB5, LSYPB5, LSYRB5, LSYAC5, LSYHC5, LSYNC5, LSYPC5, LSYRC5
 240 LAMP VOLTAGE - TYPE LSYAB8, LSYHB8, LSYNB8, LSYPB8, LSYRB8, LSYAC8, LSYHC8, LSYNC8, LSYPC8, LSYRC8

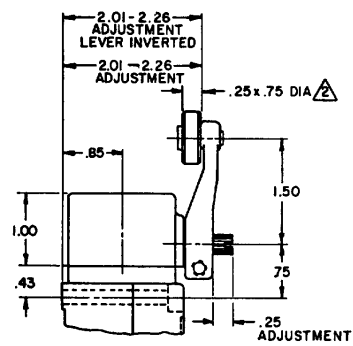
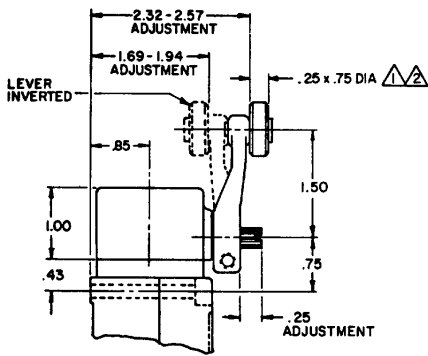
NOTE 1 - ALL UNITS AVAILABLE WITH FLOUROSILICONE AND VITON SEALS

MANIFOLD MOUNT (PLUG-IN ONLY) SINGLE POLE AND DOUBLE POLE TYPE LSYA THROUGH LSYW SERIES

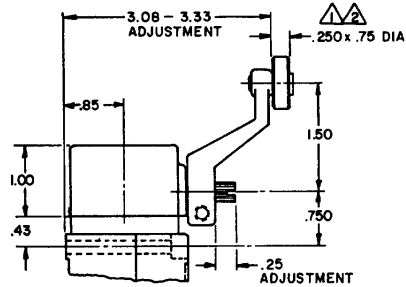
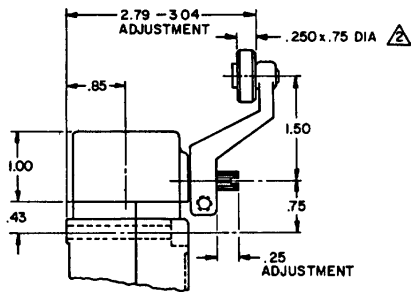


MICRO SWITCH
 SWITCH-ENCLOSED
 CHART 1
 LSY SERIES
 CATALOG LISTING
 THIS DRAWING COVERS A PROPRIETARY ITEM AND IS THE PROPERTY OF MICRO SWITCH. A DIVISION OF HONEYWELL. THIS DRAWING IS NOT TO BE COPIED OR USED WITHOUT THE APPROVAL OF MICRO SWITCH.
 MICRO SWITCH
 235 WEST 42ND STREET
 NEW YORK, N.Y. 10018-3617
 TEL: (212) 512-2000
 FAX: (212) 512-2001
 WWW.MSW.COM

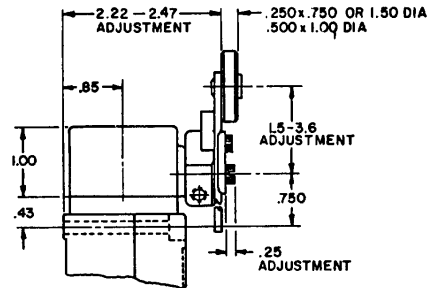
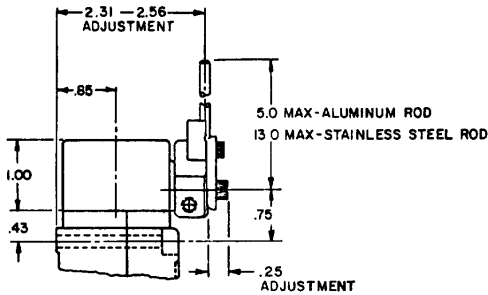
SIDE ROTARY CAM TRACKING



LSZ51 TYPE LEVERS

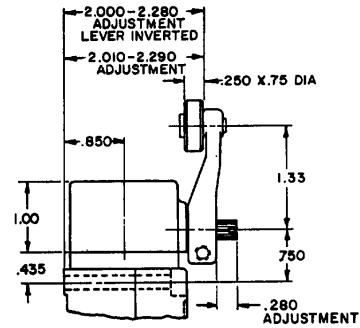
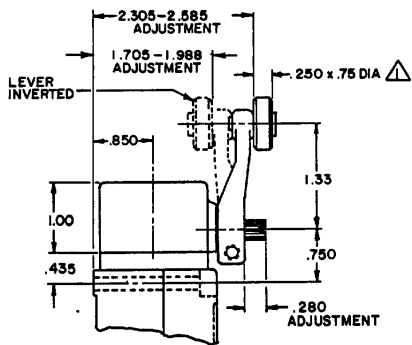


LSZ55 TYPE LEVERS



LSZ54 TYPE LEVER

LSZ52 TYPE LEVER



LSZ59 TYPE LEVERS

NOTES

- △ ALSO AVAILABLE IN .250 X 1.500 DIA NYLON, BUT LEVER CANNOT BE INVERTED
- △ FOR ADDITIONAL ROLLER WIDTHS AND/OR DIAMETERS REFER TO (M)
- 3 - FOR ADDITIONAL TYPES OF ROLLERS AND LEVERS REFER TO LSZ CHART 1 (M)

THIS DRAWING COVERS A PROPRIETARY ITEM AND IS THE PROPERTY OF MICRO SWITCH, A DIVISION OF HONEYWELL. THIS DRAWING IS NOT TO BE COPIED OR USED WITHOUT THE APPROVAL OF MICRO SWITCH.

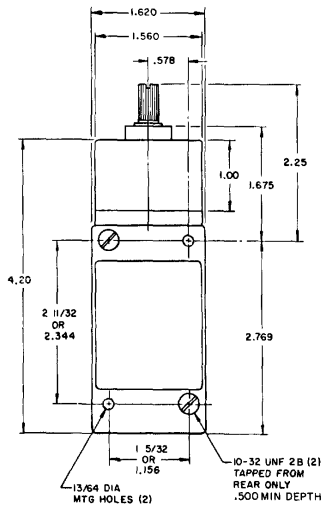
MICRO SWITCH
a Honeywell Division
710 W. 5th Street, Lincoln, NE 68501

LSY SERIES
CATALOG LISTING
CHART 1

THIRD ANGLE PROJECTION	SCALE NONE	DO NOT SCALE PRINT
UNLESS OTHERWISE SPECIFIED TOLERANCES ARE:	ONE PLACE (.10)	± .030
TWO PLACE (.00)	± .015	
THREE PLACE (.000)	± .005	
ANGLES	±	
WEIGHT		

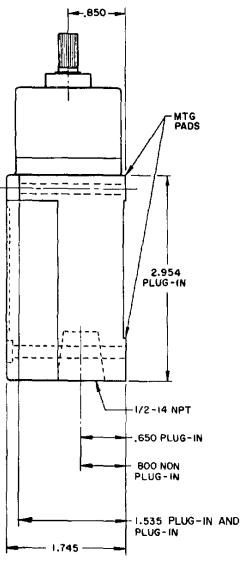
TOP ROTARY

SINGLE POLE

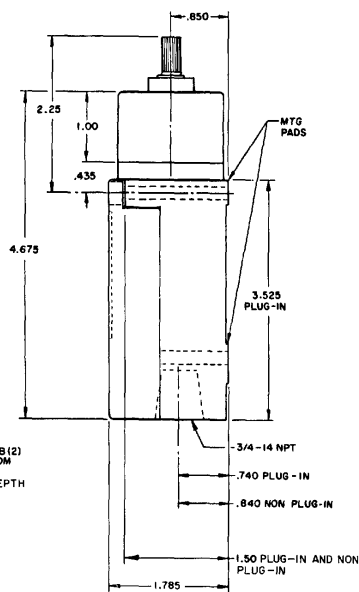
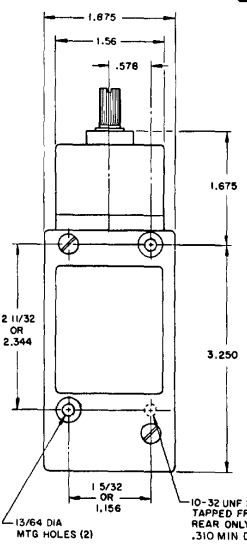


FLOUROSILICONE SEALS
 LSYBB1 & LSYBB3

VITON SEALS
 LSYBC1 & LSYBC3



DOUBLE POLE



FLOUROSILICONE SEALS
 LSYBB2 & LSYBB4
 LSYBB6 & LSYBB7 HAVE 1/2-14 NPT CONDUIT HOLE

VITON SEALS
 LSYBC2 & LSYBC4, LSYBC6 & LSYBC7
 HAVE 1/2-14 NPT CONDUIT HOLE

PRETRAVEL MAX	SINGLE POLE 25°	DOUBLE POLE 25°
OVERTRAVEL MIN	110°	110°
DIFFERENTIAL TRAVEL MAX	10°	12°
OPERATING TORQUE MAX	2.5 IN. LBS	2.5 IN. LBS
TOTAL TRAVEL (REF)	135°	135°

ELECTRICAL RATINGS

10 AMP CONT.

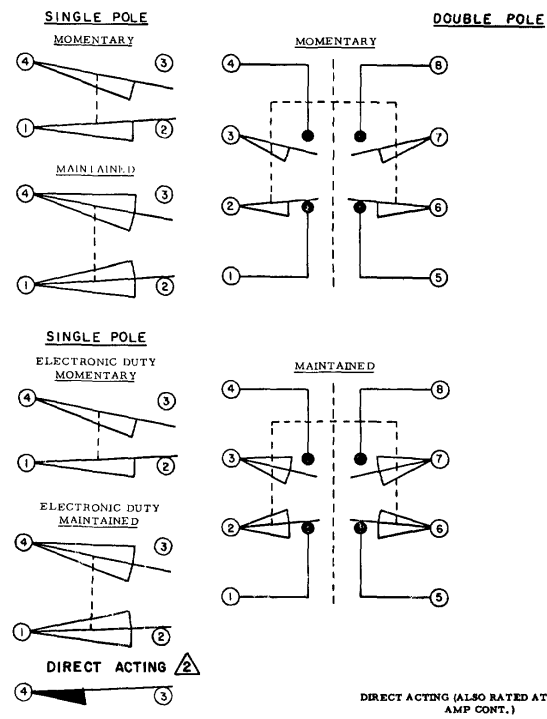
A. C. VOLTAGE	AMPS AT .35 POWER FACTOR			
	SINGL. POL.	DOUB. POL.	MAKE	BREAK
120	60	6	10	5
240	30	3	15	1.5
480	15	1.5	7.5	.75
600	12	1.2	6	.6

D. C. VOLTAGE	MAKE & BREAK INDUCTIVE	RESISTIVE
120	0.25	0.80
240	0.15	0.40

ELECTRONIC DUTY BASIC SWITCH
 10 AMP CONT.

VOLTAGE	
5 AC OR DC MIN	.01 AMP MIN
600 AC	720 VA
240 DC	30 WATT

WIRING BASIC SWITCH (SAME POLARITY MUST BE OBSERVED FOR EACH POLE)



DIRECT ACTING (ALSO RATED AT A. C. 10 AMP CONT.)

D. C. VOLTAGE	MAKE AND BREAK AMPS	
	INDUCTIVE	RESISTIVE
30	4.2	4.2
120	1.1	1.1
240	.55	.55

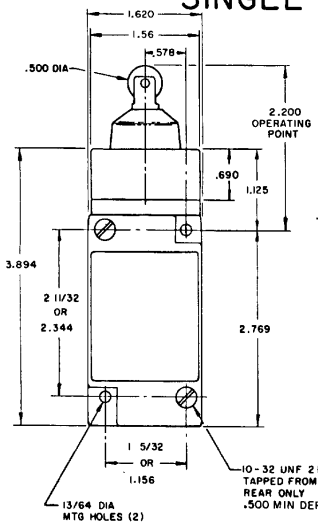
NOTES:
 1 - ALL UNITS AVAILABLE WITH FLOUROSILICONE AND VITON SEALS
 ⚠ DIFFERENTIAL TRAVEL ON ALL OPERATING CHARACTERISTICS NOT APPLICABLE

MICRO SWITCH
 SWITCH - ENCLOSED
 CHART 1
 LSY SERIES
 CATALOG LISTING
 FREEPORT, N.Y., U.S.A.
 A DIVISION OF MOOREWELL
 185 W. 42ND ST. N.Y.C. 36, N.Y.

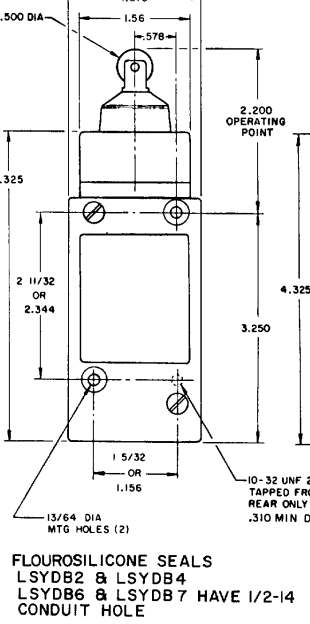
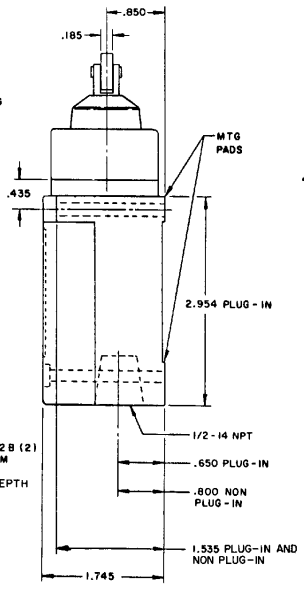
PLUNGER TYPE TOP

SINGLE POLE

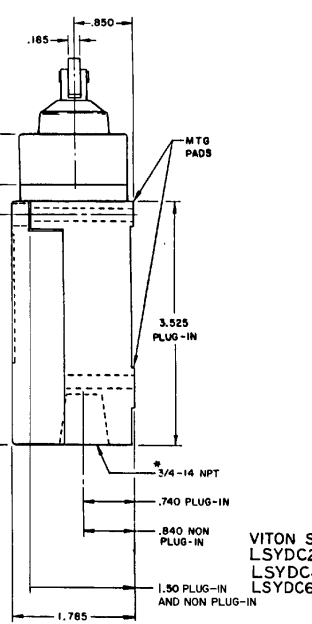
DOUBLE POLE



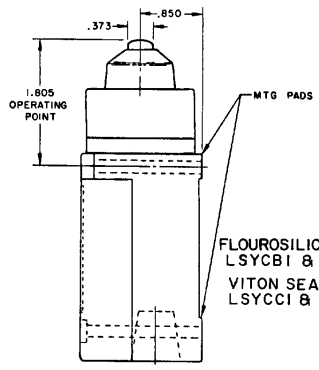
FLUOROSILICONE SEALS
 LSYDB1 & LSYDB3
 VITON SEALS
 LSYDC1 & LSYDC3



FLUOROSILICONE SEALS
 LSYDB2 & LSYDB4
 LSYDB6 & LSYDB7 HAVE 1/2-14
 CONDUIT HOLE

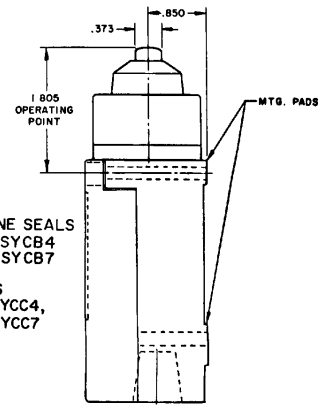


VITON SEALS
 LSYDC2 &
 LSYDC4
 LSYDC6 & LSYDC7

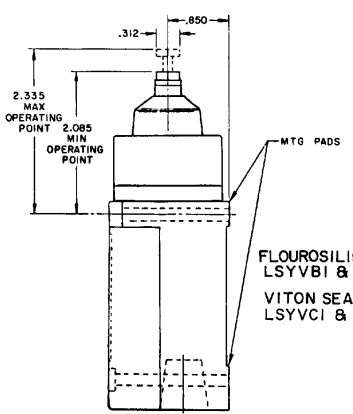


FLUOROSILICONE SEALS
 LSYCB1 & LSYCB3
 VITON SEALS
 LSYCC1 & LSYCC3

120 LAMP VOLTAGE -
 LSYCB 5, LSYDB5, LSYVB5
 LSYCC5, LSYDC5, LSYVC5
 240 LAMP VOLTAGE -
 LSYCB8, LSYDB8, LSYVB8
 LSYCC8, LSYDC8, LSYVC8

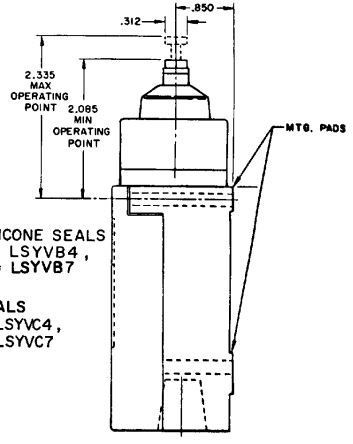


FLUOROSILICONE SEALS
 LSYCB2 & LSYCB4
 LSYCB6 & LSYCB7
 VITON SEALS
 LSYCC2 & LSYCC4,
 LSYCC6 & LSYCC7



FLUOROSILICONE SEALS
 LSYVB1 & LSYVB3
 VITON SEALS
 LSYVC1 & LSYVC3

MANIFOLD MOUNT (PLUG-IN ONLY)
 SINGLE POLE AND DOUBLE POLE
 TYPE LSYA THROUGH LSYW SERIES



FLUOROSILICONE SEALS
 LSYVB2 & LSYVB4,
 LSYVB6 & LSYVB7
 VITON SEALS
 LSYVC2 & LSYVC4,
 LSYVC6 & LSYVC7

MICRO SWITCH
 SWITCH - ENCLOSED
 CHART 1
 LSY SERIES
 CATALOG LISTING

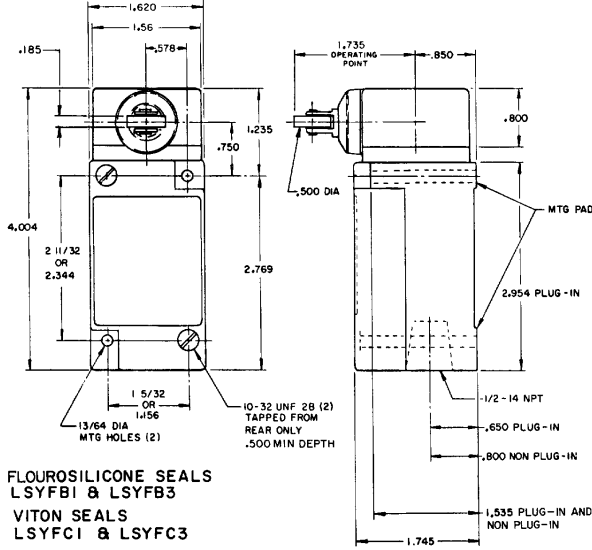
SCALE NONE
 DO NOT SCALE PRINT

NOTES:
 1 - ALL UNITS AVAILABLE WITH
 FLUOROSILICONE AND VITON SEALS

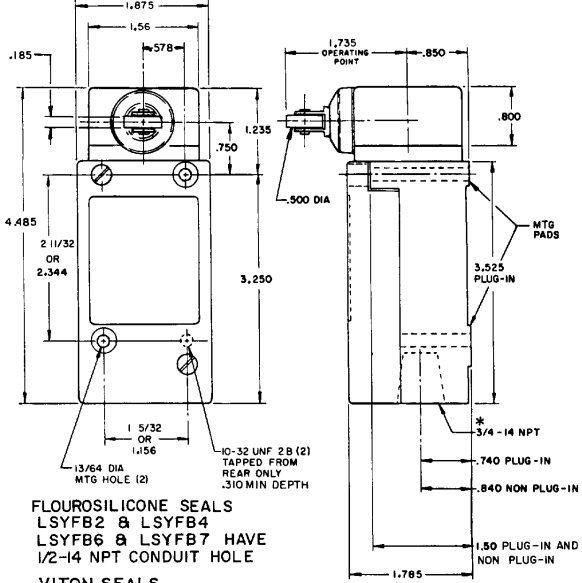
SIDE PLUNGER TYPE

SINGLE POLE

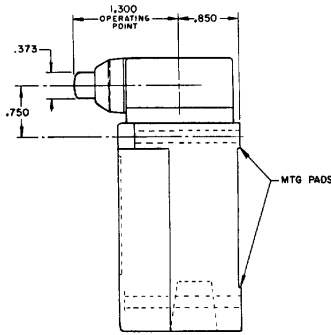
DOUBLE POLE



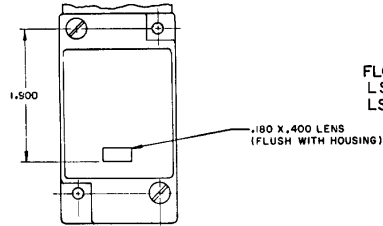
FLUOROSILICONE SEALS
 LSYFB1 & LSYFB3
 VITON SEALS
 LSYFC1 & LSYFC3



FLUOROSILICONE SEALS
 LSYFB2 & LSYFB4
 LSYFB6 & LSYFB7 HAVE
 1/2-14 NPT CONDUIT HOLE
 VITON SEALS
 LSYFC2 & LSYFC4
 LSYFC6 & LSYFC7



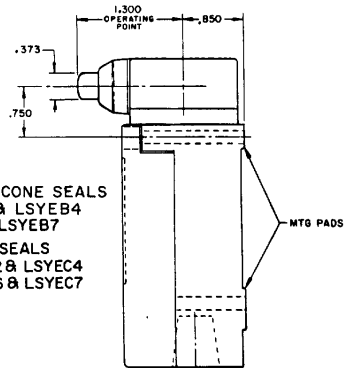
SINGLE POLE PLUG-IN ONLY
 WITH INDICATOR LAMP



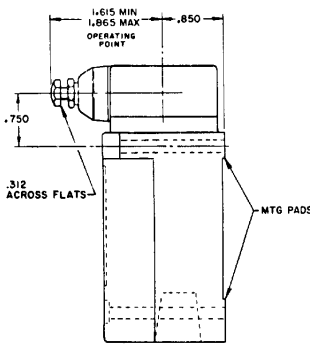
FLUOROSILICONE SEALS
 LSYEB1 & LSYEB3
 VITON SEALS
 LSYEC1 & LSYEC3

120 LAMP VOLTAGE -
 LSYFB5, LSYEB5, LSYWB5
 LSYFC5, LSYEC5, LSYWC5

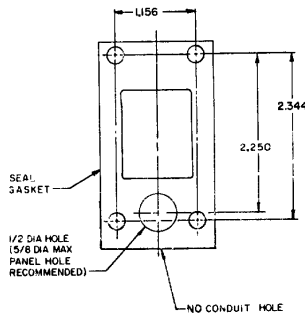
240 LAMP VOLTAGE -
 LSYFB8, LSYEB8, LSYWB8
 LSYFC8, LSYEC8, LSYWC8



FLUOROSILICONE SEALS
 LSYEB2 & LSYEB4
 LSYEB6 & LSYEB7
 VITON SEALS
 LSYEC2 & LSYEC4
 LSYEC6 & LSYEC7

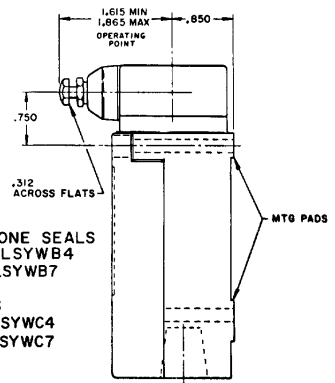


MANIFOLD MOUNT (PLUG-IN ONLY)
 SINGLE POLE AND DOUBLE POLE
 TYPE LSYA THROUGH LSYW SERIES



FLUOROSILICONE SEALS
 LSYWB1 & LSYWB3
 VITON SEALS
 LSYWC1 & LSYWC3

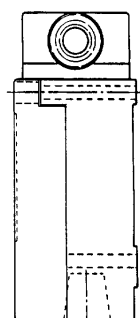
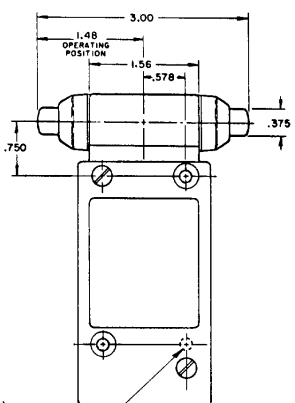
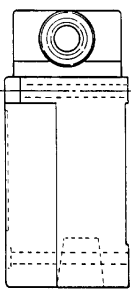
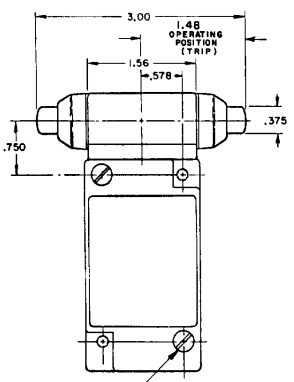
FLUOROSILICONE SEALS
 LSYWB2 & LSYWB4
 LSYWB6 & LSYWB7
 VITON SEALS
 LSYWC2 & LSYWC4
 LSYWC6 & LSYWC7



MICRO SWITCH
 SWITCH - ENCLOSED
 LSY SERIES
 CHART 1

SCALE: NONE
 DO NOT SCALE PRINT

NOTES:
 1 - ALL UNITS AVAILABLE WITH
 FLUOROSILICONE AND VITON SEALS



10-32 UNF 28(2)
TAPPED FROM REAR ONLY
.500 MIN DEPTH

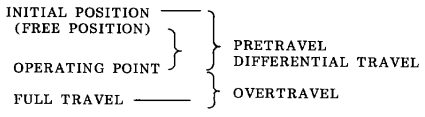
FLOUROSILICONE SEALS
LSYGB1 & LSYGB3

VITON SEALS
LSYGC1 & LSYGC3

10-32 UNF 28(2)
TAPPED FROM REAR ONLY
.310 MIN DEPTH

FLOUROSILICONE SEALS
LSYGB2 & LSYGB4, LSYGB6 & LSYGB7 HAVE 1/2 CONDUIT HOLE)

VITON SEALS
LSYGC2 & LSYGC4 (LSYGC6 &
LSYGC7 HAVE 1/2 CONDUIT HOLE)



MICRO SWITCH
A DIVISION OF HONEYWELL

SWITCH - ENCLOSED

LSY SERIES

OPERATING POINT GIVEN IN RELATION TO TOP MOUNTING HOLE **TOP PLUNGER TYPES**

CHARACTERISTICS	LSYC PLUNGER		LSYD ROLLER PLUNGER		LSYV ADJ PLUNGER		SEQUENCE BASIC		
	SINGLE POLE	DOUBLE POLE	SINGLE POLE	DOUBLE POLE	SINGLE POLE	DOUBLE POLE	LSYC	LSYD	LSYV
PRETRAVEL (MAX)	.070		.070		.070		1ST STEP .070		
DIFFERENTIAL TRAVEL (MAX)	.015	.020	.015	.020	.015	.020	2ND STEP .016 MIN ADD'L		
OVERTRAVEL (MIN)	.190		.190		.190		.170		
OPERATING FORCE (MAX)	4 LBS		4 LBS		4 LBS		4 LBS		
OPERATING POINT	1.805 ± .030		2.200 ± .040		2.085 MIN 2.335 MAX		1ST STEP		
FULL OVERTRAVEL FORCE (MAX)	7 LBS		7 LBS		7 LBS		1.815±.030 2.210±.040 2.095 MIN / 2.345 MAX		

OPERATING POINT GIVEN IN RELATION TO CENTER OF HEAD **SIDE PLUNGER TYPES**

CHARACTERISTICS	LSYE PLUNGER	LSYF ROLLER PLUNGER	LSYW ADJ PLUNGER	LSYG PLUNGER MAINTAINED	SEQUENCE BASIC		
					LSYE	LSYF	LSYW
PRETRAVEL (MAX)	.100	.100	.100	.170	1ST STEP .100		
DIFFERENTIAL TRAVEL (MAX)	.045	.045	.045	.090	2ND STEP .020 MIN ADD'L		
OVERTRAVEL (MIN)	.190	.190	.190	.080	.170		
OPERATING FORCE (MAX)	6 LBS	6 LBS	6 LBS	10 LBS	6 LBS		
OPERATING POINT	1.300 ± .030	1.735 ± .040	1.615 MIN 1.865 MAX	1.480 ± .030	1ST STEP		
FULL OVERTRAVEL FORCE (MAX)	6 LBS	6 LBS	6 LBS	10 LBS	1.310±.030 1.745±.040 1.625 MIN / 1.875 MAX		

CHART 1

THIS DRAWING COVERS A PROPRIETARY ITEM AND IS THE PROPERTY OF MICRO SWITCH A DIVISION OF HONEYWELL. THIS DRAWING IS NOT TO BE COPIED OR USED WITHOUT THE APPROVAL OF MICRO SWITCH.

DESIGN UNITS: INCHES

SCALE: NONE

DO NOT SCALE PRINT

10-32 UNF 28(2) TAPPED FROM REAR ONLY .500 MIN DEPTH

10-32 UNF 28(2) TAPPED FROM REAR ONLY .310 MIN DEPTH

10-32 UNF 28(2) TAPPED FROM REAR ONLY .500 MIN DEPTH

10-32 UNF 28(2) TAPPED FROM REAR ONLY .310 MIN DEPTH

10-32 UNF 28(2) TAPPED FROM REAR ONLY .500 MIN DEPTH

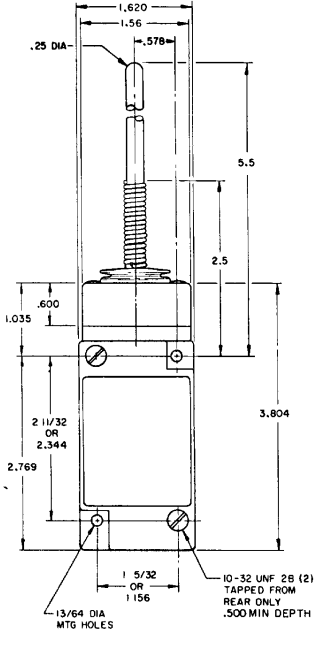
10-32 UNF 28(2) TAPPED FROM REAR ONLY .310 MIN DEPTH

M LSY SERIES CHART 1
PAGE 6 OF 10

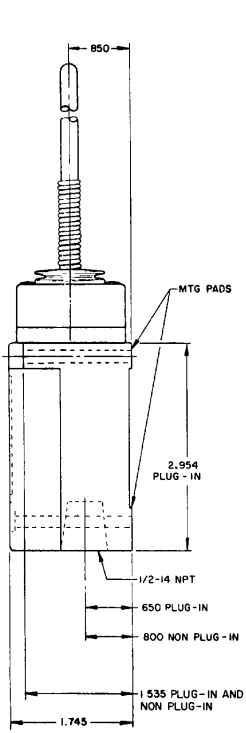
WOBBLE STICK

SINGLE POLE

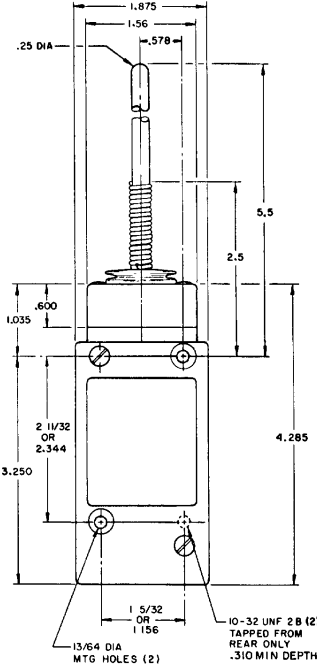
DOUBLE POLE



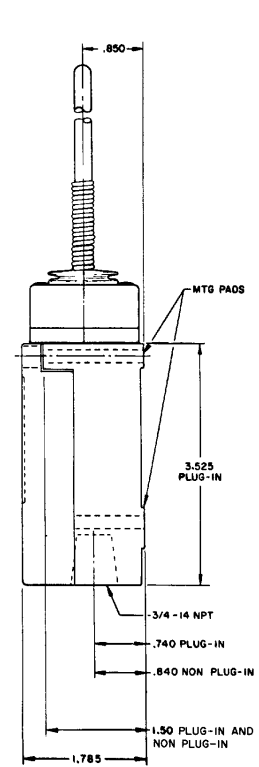
**PLASTIC EXTENSION
TYPE 7A ACTUATOR**



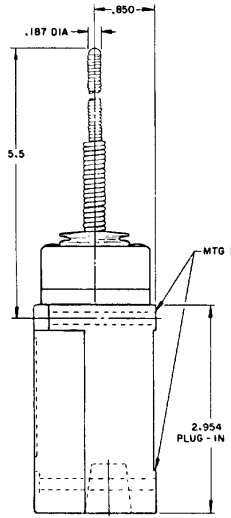
**REPLACEMENT ACTUATOR
LSZ 4009**



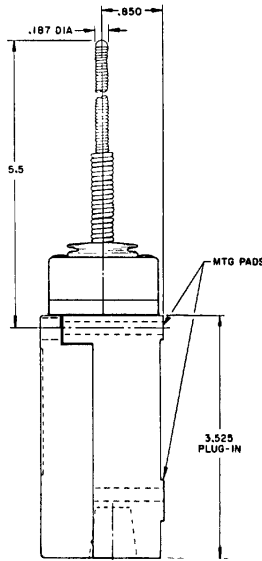
**PLASTIC EXTENSION
TYPE 7A ACTUATOR**



**REPLACEMENT ACTUATOR
LSZ 4011**

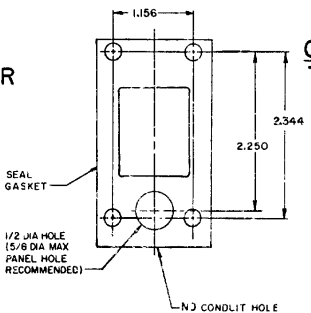


**CABLE EXTENSION
TYPE 7N ACTUATOR**



**CABLE EXTENSION
TYPE 7N ACTUATOR**

MANIFOLD MOUNT (PLUG-IN ONLY)
SINGLE POLE AND DOUBLE POLE
TYPE LSYA THROUGH LSYW SERIES



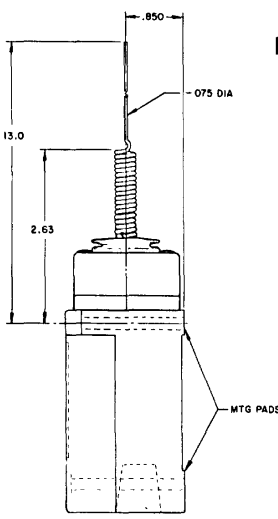
NOTES:
1 - ALL UNITS AVAILABLE WITH
FLUOROSILICONE AND VITON SEALS

SCALE: NONE
DO NOT SCALE PRINT

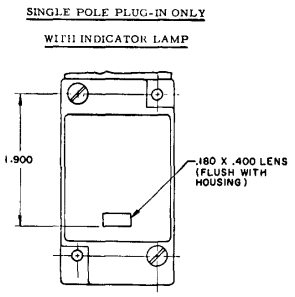
MICRO SWITCH
FREEMPORT ILLINOIS U.S.A.
A DIVISION OF HONEYWELL
7100 MID CROSS STREET

SWITCH-ENCLOSED

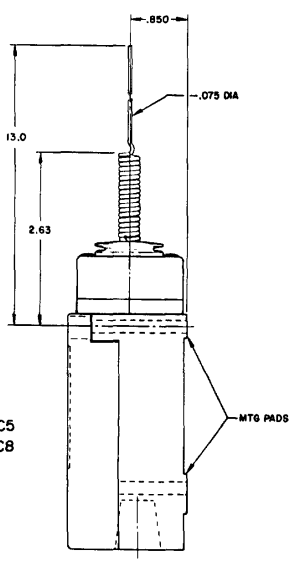
LSY SERIES
CHART 1



REPLACEMENT ACTUATOR LSZ4010



120 LAMP VOLTAGE TYPE-LSYJB5 & LSYJC5
240 LAMP VOLTAGE TYPE-LSYJB8 & LSYJC8

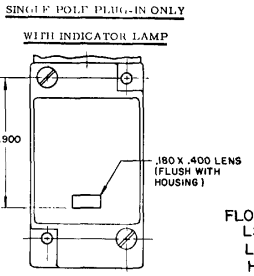
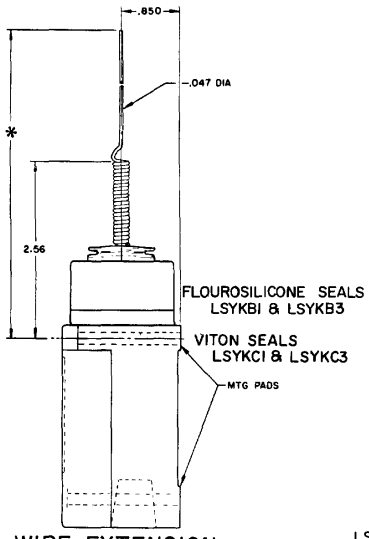


WIRE EXTENSION TYPE 7M ACTUATOR
FLOUROSILICONE SEALS
LSYJB1 & LSYJB3
VITON SEALS
LSYJC1 & LSYJC3

WIRE EXTENSION TYPE 7M ACTUATOR
FLOUROSILICONE SEALS
LSYJB2 & LSYJB4
LSYJB6 & LSYJB7 HAVE 1/2-14 NPT CONDUIT HOLE
VITON SEALS LSYJC2 & LSYJC4
LSYJC6 & LSYJC7 HAVE 1/2-14 NPT CONDUIT HOLE

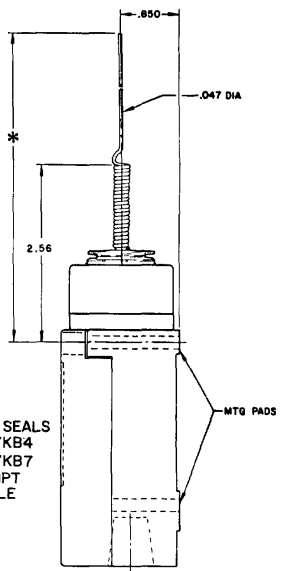
REPLACEMENT ACTUATOR LSZ 4010 CAT WHISKER

SINGLE POLE



FLOUROSILICONE SEALS
120 LAMP VOLTAGE
LSYKB5 CAT WHISKER LSYBB5 TOP ROTARY
240 LAMP VOLTAGE
LSYKB8 CAT WHISKER LSYBB8 TOP ROTARY

DOUBLE POLE



FLOUROSILICONE SEALS
LSYKB2 & LSYKB4
LSYKB6 & LSYKB7
HAVE 1/2-14 NPT CONDUIT HOLE

WIRE EXTENSION REPLACEMENTS

*TYPE 8 A ACTUATOR 5.5 IN.-LSZ 4012
*TYPE 8 B ACTUATOR 7.5 IN.-LSZ 4013
*TYPE 8 C ACTUATOR 5.5 IN.-LSZ 4014

VITON SEALS
120 LAMP VOLTAGE
LSYKC5 CAT WHISKER LSYBC5 TOP ROTARY
240 LAMP VOLTAGE
LSYKC8 CAT WHISKER LSYBC8 TOP ROTARY

*TYPE 8 A ACTUATOR 5.5 IN.
*TYPE 8 B ACTUATOR 7.5 IN.
*TYPE 8 C COIL ACTUATOR 5.5 IN

MICRO SWITCH
FREEPORT ILLINOIS U.S.A.
A DIVISION OF HONEYWELL
180 176 COND 5114

SWITCH - ENCLOSED

LSY SERIES
CATALOG LISTING
CHART 1

SCALE: NONE
DO NOT SCALE DRAWING

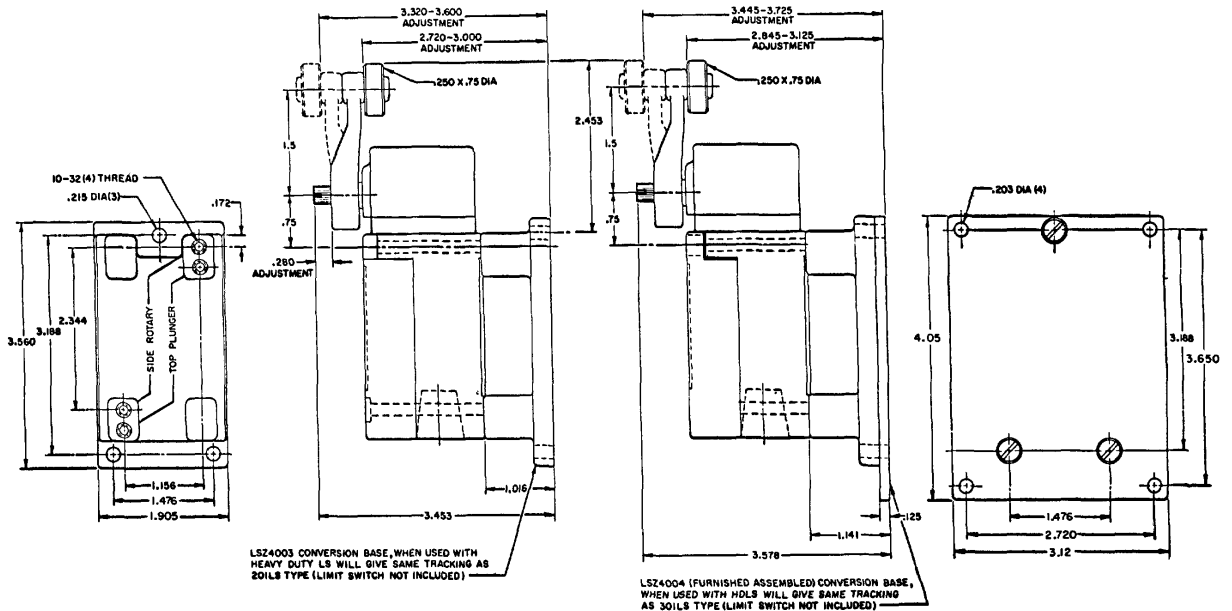
PRETRAVEL (APPROX) IN. RADIUS	CAT WHISKER			WOBBLE STICK		
	5/16" COIL WIRE	5/16" WIRE	1/4" WIRE	ROD	CABLE	WIRE
	2	2	4.5	1.0	1.5	4.0
OPERATING FORCE-OZ (MAX)	7.0	5.0	3.0	10.0	7.0	5.0

NOTE-
1 - ALL UNITS AVAILABLE WITH FLOUROSILICONE AND VITON SEALS

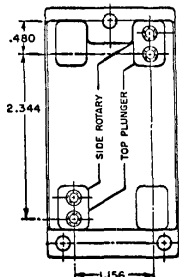
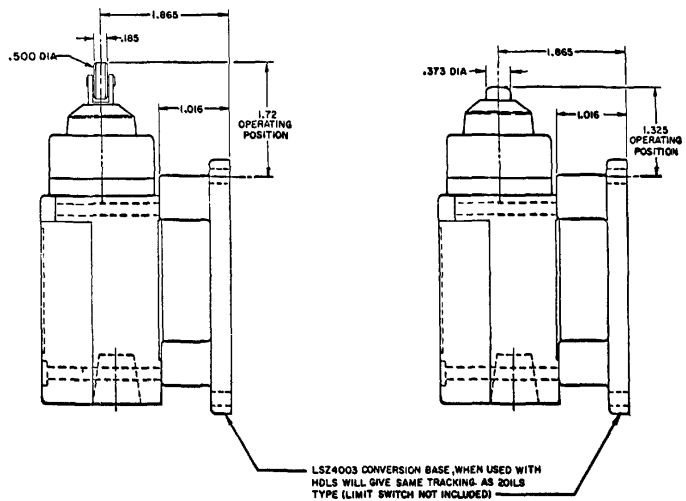
CONVERSION BASES

SINGLE POLE (SIDE ROTARY) LSZ 4003

DOUBLE POLE (SIDE ROTARY) LSZ 4004



SINGLE POLE TOP PLUNGER LSZ 4003



MICRO SWITCH
 THIS DRAWING SHOWS A REPRESENTATIVE ITEM AND IS THE PROPERTY OF MICRO SWITCH, A DIVISION OF HONEYWELL. THIS DRAWING IS NOT TO BE COPIED OR USED WITHOUT THE APPROVAL OF MICRO SWITCH, A DIVISION OF HONEYWELL.
 718 W.F. COOK BLDG.

SWITCH - ENCLOSED

LSY SERIES
 CHART 1

SCALE FULL
 DO NOT SCALE PRINT

REVISIONS:
 A 10/25/74
 B 12/22/74
 C 10/21/74
 D 10/21/74
 E 10/21/74
 F 10/21/74
 G 10/21/74
 H 10/21/74
 I 10/21/74
 J 10/21/74
 K 10/21/74
 L 10/21/74
 M 10/21/74
 N 10/21/74
 O 10/21/74
 P 10/21/74
 Q 10/21/74
 R 10/21/74
 S 10/21/74
 T 10/21/74
 U 10/21/74
 V 10/21/74
 W 10/21/74
 X 10/21/74
 Y 10/21/74
 Z 10/21/74

M LSY SERIES CHART 1
PAGE 10 OF 10

TEMPERATURE LIMITATIONS FOR
DEVICES WITH FLUORSILICONE (LSYAB**) AND
VITON (LSYAC**) SEALS

ALL HEAD TYPES WITH SEALS OF

	3	CELLULOSE DETERGENT 2 STAR	ASTM #1	ASTM #2	ASTM #3	ASTM #4	HOUGHITO SAFEPTI DINO	HOUGHITO SAFEPTI DINO	HOUGHITO SAFEPTI DINO	HOUGHITO SAFEPTI DINO	MINERAL OIL	PETH. OIL CRUDE	SILICON CR & OIL	SUNSAFE	BEER	STANDARD SOLI. SOLVENTS	CITRIC ACID DILUTED	FLUORINE LUBRICANTS*	CRONE	PTERAU.	FINOCHARD HYDRAULIC OIL	HYDRAULIC OIL	LARD OIL	SILICATE ESTERS
FLUOR-SILICONE Δ	4	1	1	1	1	2	4	1	1	1	1	1	1	1	1	1	2	1	4	4	1	1	1	1
VITON Δ	1	1	1	1	1	1	1	1	1	1	1	1	1	1	1	1	1	1	1	1	1	1	1	1

CODE: 1 SATISFACTORY 2 FAIR 3 DOUBTFUL 4 UNSATISFACTORY

- Δ FLUORSILICONE SEAL (LSYAB**) FOR LOW TEMPERATURE APPLICATIONS
- Δ VITON SEALS (LSYAC**) FOR FIRE-RESISTANT FLUIDS
- Δ ALL EXCEPT A60

	LOW LIMIT	HIGH LIMIT
LSYAB	-40°F	+250°F
LSYAC	+10°F	+250°F
LSYBB	-20°F	+250°F
LSYBC	+30°F	+250°F
LSYCB	-40°F	+200°F
LSYCC	+10°F	+250°F
LSYDB	-40°F	+200°F
LSYDC	+10°F	+250°F
LSYEB	-40°F	+200°F
LSYEC	+10°F	+250°F
LSYFB	-40°F	+200°F
LSYFC	+10°F	+250°F
LSYGB	-20°F	+200°F
LSYGC	+30°F	+250°F
LSYHB	-20°F	+250°F
LSYHC	+30°F	+250°F
LSYJB	-40°F	+250°F
LSYJC	+30°F	+250°F
LSYKB	-20°F	+250°F
LSYKC	+30°F	+250°F
LSYLB	-40°F	+250°F
LSYLC	+10°F	+250°F
LSYMB	-40°F	+250°F
LSYMC	+10°F	+250°F
LSYNB	-20°F	+250°F
LSYNC	+30°F	+250°F
LSYPB	-40°F	+250°F
LSYPC	+10°F	+250°F
LSYRB	-20°F	+250°F
LSYRC	+30°F	+250°F
LSYVB	-40°F	+200°F
LSYVC	+10°F	+250°F
LSYWB	-40°F	+200°F
LSYWC	+10°F	+250°F

THIS DRAWING COVERS A PROPRIETARY ITEM AND IS THE PROPERTY OF MICRO SWITCH, A DIVISION OF HONEYWELL. THIS DRAWING IS NOT TO BE COPIED OR USED WITHOUT THE APPROVAL OF MICRO SWITCH.

MICRO SWITCH
PRESPORT ILLINOIS U.S.A.
A DIVISION OF HONEYWELL
FED. REG. CODE 8199

SWITCH - ENCLOSED

CATALOG LISTING
LSY SERIES
CHART 1

SCALE
DO NOT SCALE PRINT

UNLESS OTHERWISE SPECIFIED
DIMENSIONS SHALL BE IN
INCHES AND FRACTIONS THEREOF
TOLERANCES UNLESS OTHERWISE SPECIFIED
AS SHOWN ON THIS DRAWING