

# MICRO SWITCH

FREEPORT ILLINOIS, U.S.A  
A DIVISION OF HONEYWELL  
FED. MFG. CODE 91929

# MINIATURE PRECISION LIMIT SWITCH

924CE2-S9

924CE2-S9

M

DRAWING  
NUMBER

ISSUE

REVISIONS

CHECK

CHECK

AUG 88

AUG 88

AUG 88

AUG 88

AUG 88

FO-52849-A

REPLACES

RELEASE NO. PR-16639

CHECK

CHECK

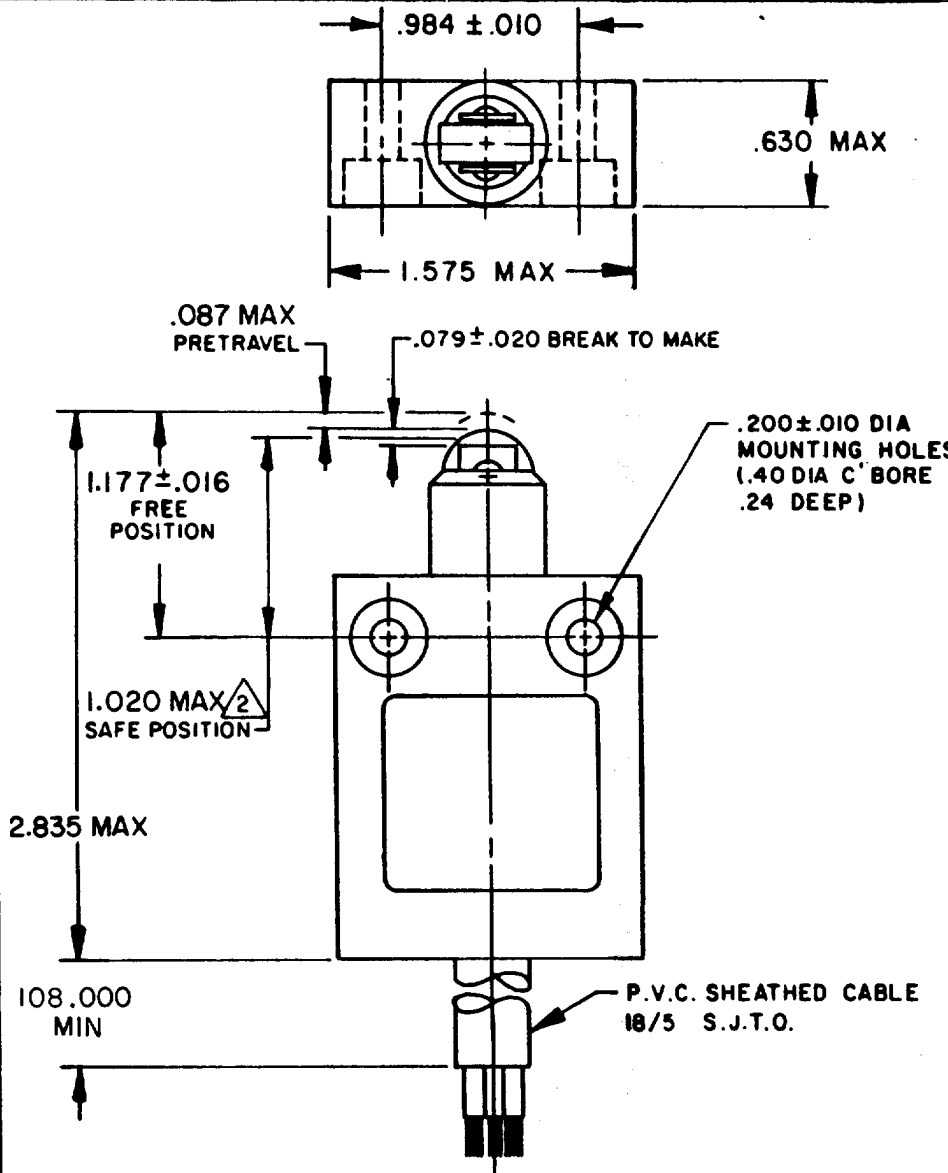
AUG 88

AUG 88

AUG 88

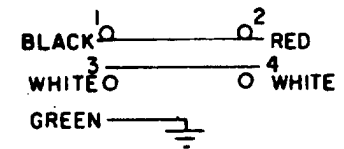
AUG 88

AUG 88



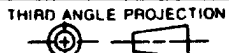
**NOTES**

- 1 - ZINC HOUSING FINISHED WITH GREY PAINT
- 2 THE MINIMUM PLUNGER TRAVEL PAST BREAK, FOR A SAFE CONTACT GAP IS  $.060$
- 3 - SWITCH PROVIDES BREAK BEFORE MAKE CIRCUITRY



**CIRCUIT DIAGRAM**

THIS DRAWING COVERS A PROPRIETARY ITEM AND IS THE PROPERTY OF MICRO SWITCH, A DIVISION OF HONEYWELL. THIS DRAWING IS NOT TO BE COPIED OR USED WITHOUT THE APPROVAL OF MICRO SWITCH.



**CHARACTERISTICS**

OPERATING FORCE----- 5.1 LB MAX

OVERTRAVEL----- .039 MIN

**ELECTRICAL DATA**

CONTACT ARRANGEMENT  
S P D T D B

10A - 250 VAC  
1/3HP- 125 OR 250 VAC



SCALE FULL

DO NOT SCALE PRINT

UNLESS OTHERWISE SPECIFIED TOLERANCES ARE

|             |        |            |
|-------------|--------|------------|
| ONE PLACE   | (.0)   | $\pm .030$ |
| TWO PLACE   | (.00)  | $\pm .015$ |
| THREE PLACE | (.000) | $\pm .005$ |
| ANGLES      |        | $\pm$      |

WEIGHT