

# MICRO SWITCH

FREERPORT ILLINOIS, U.S.A  
A DIVISION OF HONEYWELL  
FED. MFG. CODE 91929

# SMALL PRECISION LIMIT SWITCH

CATALOG LISTING  
**914CE16-3**

914CE16-3

M

DRAWING NUMBER

ISSUE

3

CHECK

REVISIONS

A

CO

51267

T S K

6 APR 82

A

CO

51367

T S K

6 APR 82

B

CO59783

C J H

3 JUL 86

CHECK

C E B

22 JUNE 78

CHECK

77

APR

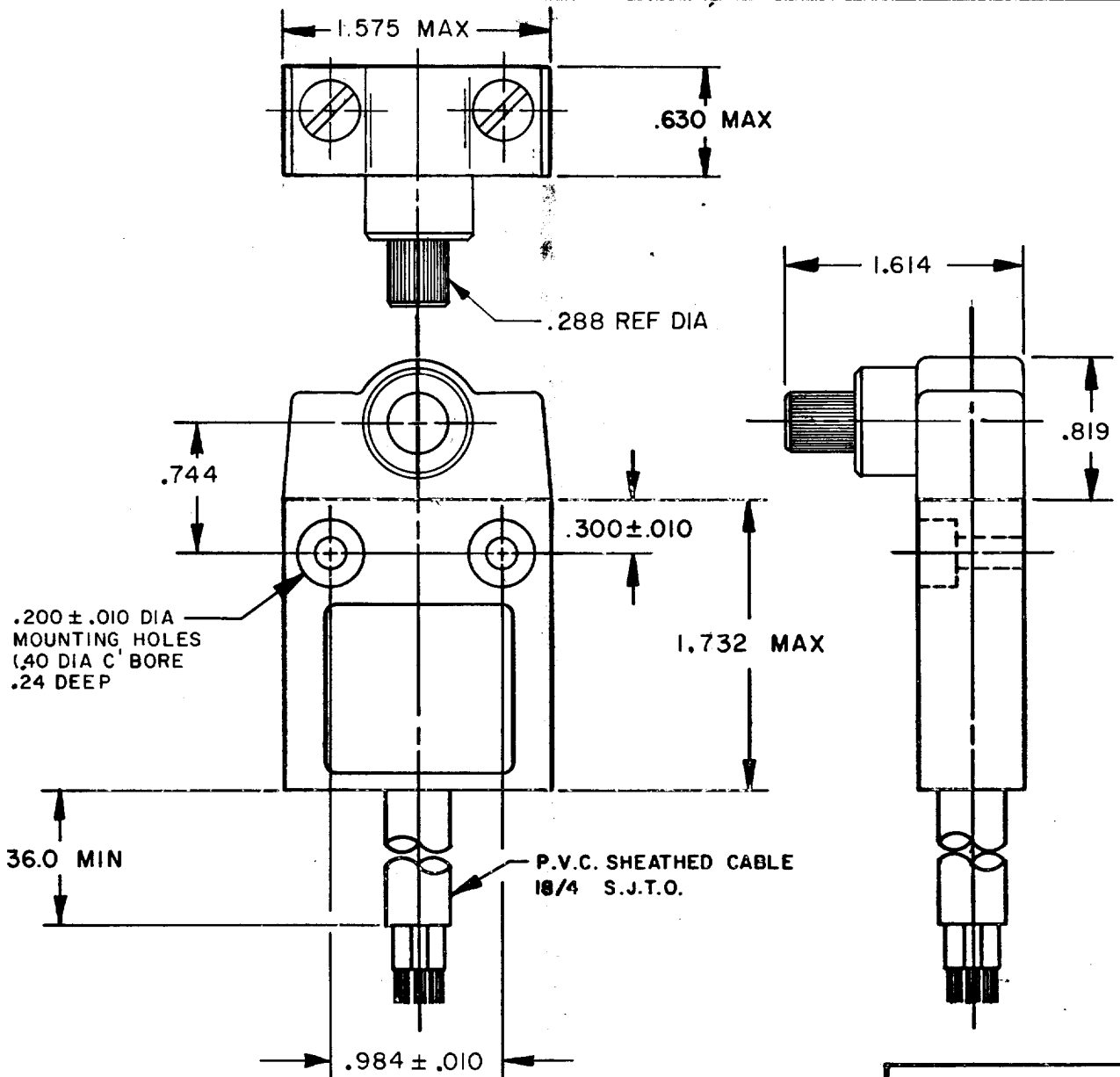
28

J A L

DRAWN

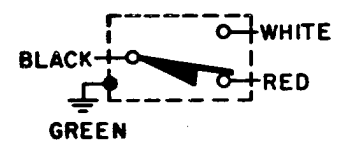
FO-52848-A

RELEASE NO. PR-6431-T REPLACES



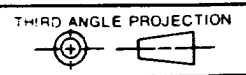
**NOTE -**

- 1 - ZINC HOUSING FINISHED WITH GRAY PAINT
- 2 - SWITCH WILL ACTUATE IN BOTH DIRECTIONS



**CIRCUIT DIAGRAM**

THIS DRAWING COVERS A PROPRIETARY ITEM AND IS THE PROPERTY OF MICRO SWITCH, A DIVISION OF HONEYWELL. THIS DRAWING IS NOT TO BE COPIED OR USED WITHOUT THE APPROVAL OF MICRO SWITCH.



CHARACTERISTICS	ELECTRICAL DATA	SCALE	FULL																																
OPERATING FORCE --- 3 IN. LB MAX	CONTACT ARRANGEMENT S P D T	DO NOT SCALE PRINT																																	
RELEASE FORCE ----- 10 IN. OZ MAX	5A - 125 OR 250 VAC 1/10HP - 125 OR 250 VAC	TOLERANCES																																	
PRETRAVEL ----- 30° MAX		APPLY TO DESIGN UNITS. CONVERSIONS ARE ONLY FOR REFERENCE. UNLESS NOTED, TOLERANCES ARE ±																																	
DIFFERENTIAL TRAVEL --- 3° MAX		<table border="1"> <thead> <tr> <th>DIM.</th> <th>TOL.</th> <th>DIM.</th> <th>TOL.</th> </tr> <tr> <th>mm</th> <th>mm/in</th> <th>In</th> <th>mm/in</th> </tr> </thead> <tbody> <tr> <td>NO PLACES</td> <td>X</td> <td>1/100</td> <td>X X</td> </tr> <tr> <td>ONE PLACE</td> <td>X, X</td> <td>0.01/0.018</td> <td>X, X X</td> </tr> <tr> <td>TWO PLACES</td> <td>X, XX</td> <td>0.15/0.008</td> <td>X, XX X</td> </tr> <tr> <td>THREE PLACES</td> <td>X, XXX</td> <td></td> <td>X, XXX X</td> </tr> <tr> <td>ANGLES</td> <td></td> <td></td> <td></td> </tr> </tbody> </table>	DIM.	TOL.	DIM.	TOL.	mm	mm/in	In	mm/in	NO PLACES	X	1/100	X X	ONE PLACE	X, X	0.01/0.018	X, X X	TWO PLACES	X, XX	0.15/0.008	X, XX X	THREE PLACES	X, XXX		X, XXX X	ANGLES				<table border="1"> <thead> <tr> <th>DESIGN UNITS</th> <th>US CUSTOMARY</th> </tr> </thead> <tbody> <tr> <td><input type="checkbox"/> METRIC</td> <td><input checked="" type="checkbox"/> US CUSTOMARY</td> </tr> </tbody> </table>	DESIGN UNITS	US CUSTOMARY	<input type="checkbox"/> METRIC	<input checked="" type="checkbox"/> US CUSTOMARY
DIM.		TOL.	DIM.	TOL.																															
mm	mm/in	In	mm/in																																
NO PLACES	X	1/100	X X																																
ONE PLACE	X, X	0.01/0.018	X, X X																																
TWO PLACES	X, XX	0.15/0.008	X, XX X																																
THREE PLACES	X, XXX		X, XXX X																																
ANGLES																																			
DESIGN UNITS	US CUSTOMARY																																		
<input type="checkbox"/> METRIC	<input checked="" type="checkbox"/> US CUSTOMARY																																		
OVERTRAVEL ----- 40° MIN	WEIGHT																																		