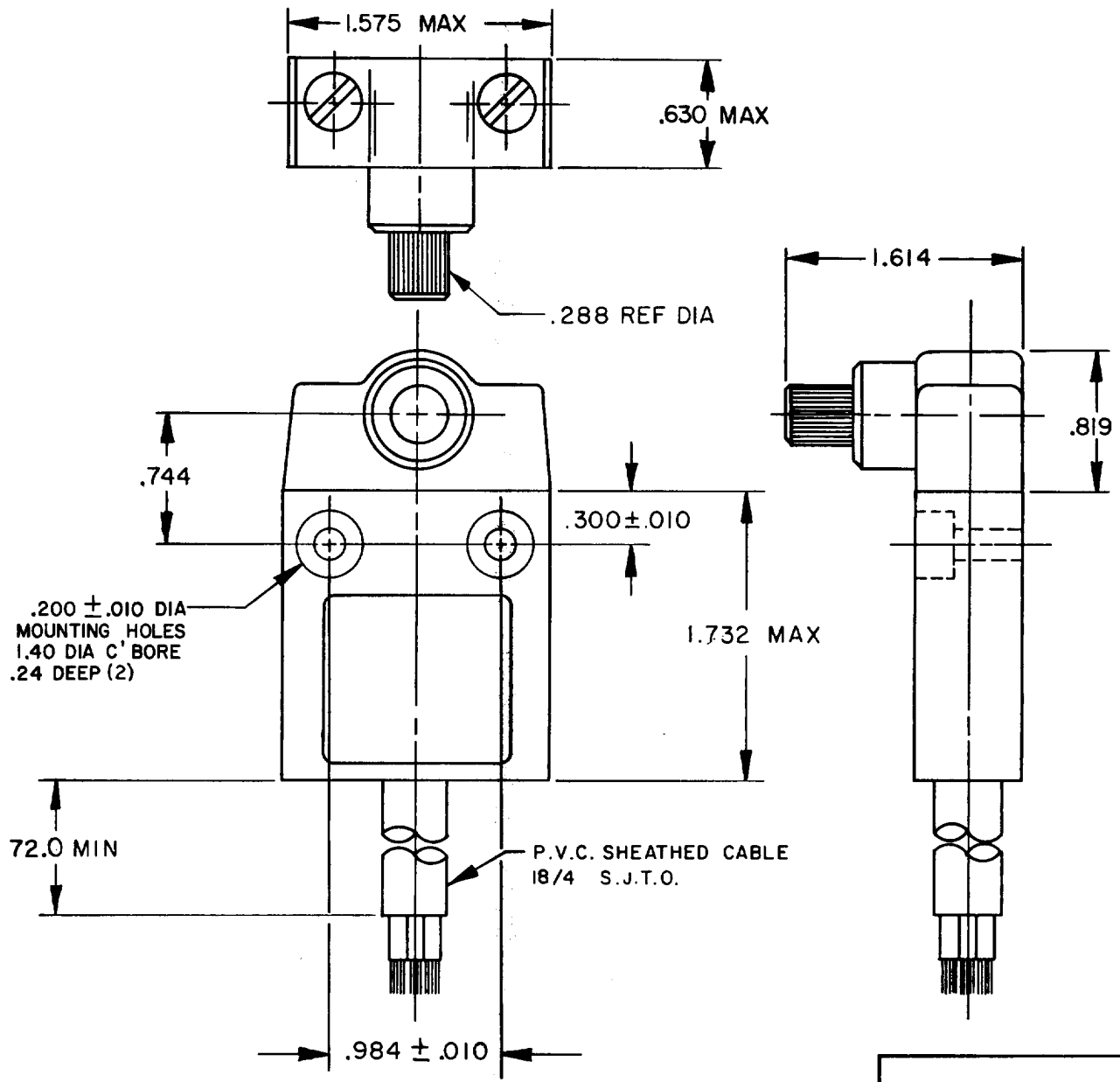


MICRO SWITCH
 FREEPORT ILLINOIS, U.S.A
 A DIVISION OF HONEYWELL
 FED. MFG. CODE 91929

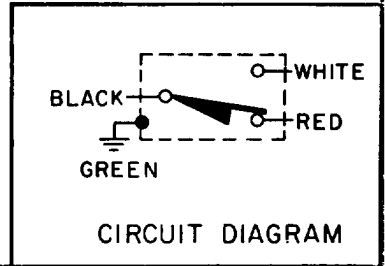
**SMALL PRECISION
 LIMIT SWITCH**

CATALOG LISTING
914CE16-6

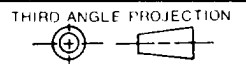
914CE16-6
 M
 DRAWING NUMBER
 X
 ISSUE
 3
 RELEASE NO. PR-7324 REPLACES
 CHECK
 REVISIONS
 A CO 51267 TSK 5 APR 82
 A CO 51367 TSK 6 APR 82
 B CO59783 CJH 3 JUL 86
 CHECK
 9 SEPT 78
 CHECK
 C E B
 15 AUG 78
 DRAWN
 FO-52848-A
 D J S



NOTE -
 1 - ZINC HOUSING FINISHED WITH GRAY PAINT
 2 - SWITCH WILL ACTUATE IN BOTH DIRECTIONS



THIS DRAWING COVERS A PROPRIETARY ITEM AND IS THE PROPERTY OF MICRO SWITCH, A DIVISION OF HONEYWELL. THIS DRAWING IS NOT TO BE COPIED OR USED WITHOUT THE APPROVAL OF MICRO SWITCH.



CHARACTERISTICS	
OPERATING FORCE	--- 3 IN LB MAX
RELEASE FORCE	--- 10 IN OZ MAX
PRETRAVEL	--- 30° MAX
DIFFERENTIAL TRAVEL	--- 3° MAX
OVERTRAVEL	--- 40° MIN

ELECTRICAL DATA	
CONTACT ARRANGEMENT S P D T	
UL LISTED - HONEYWELL LTD FILE E41859 5A - 250 VAC 1/10 HP - 125 OR 250 VAC LR-15775	

SCALE FULL			
DO NOT SCALE PRINT			
TOLERANCES APPLY TO DESIGN UNITS. CONVERSIONS ARE ONLY FOR REFERENCE. UNLESS NOTED, TOLERANCES ARE ±			
DIM. mm	TOL. mm/in	DIM. in	TOL. mm/in
NO PLACES	X	1/104	X X
ONE PLACE	X,X	0.4/016	X X X
TWO PLACES	X,XX	0.15/006	X X X X
THREE PLACES	X,XXX	0.13/005	X X X X X
DESIGN UNITS		WEIGHT	
<input type="checkbox"/> SI METRIC <input checked="" type="checkbox"/> US CUSTOMARY			