

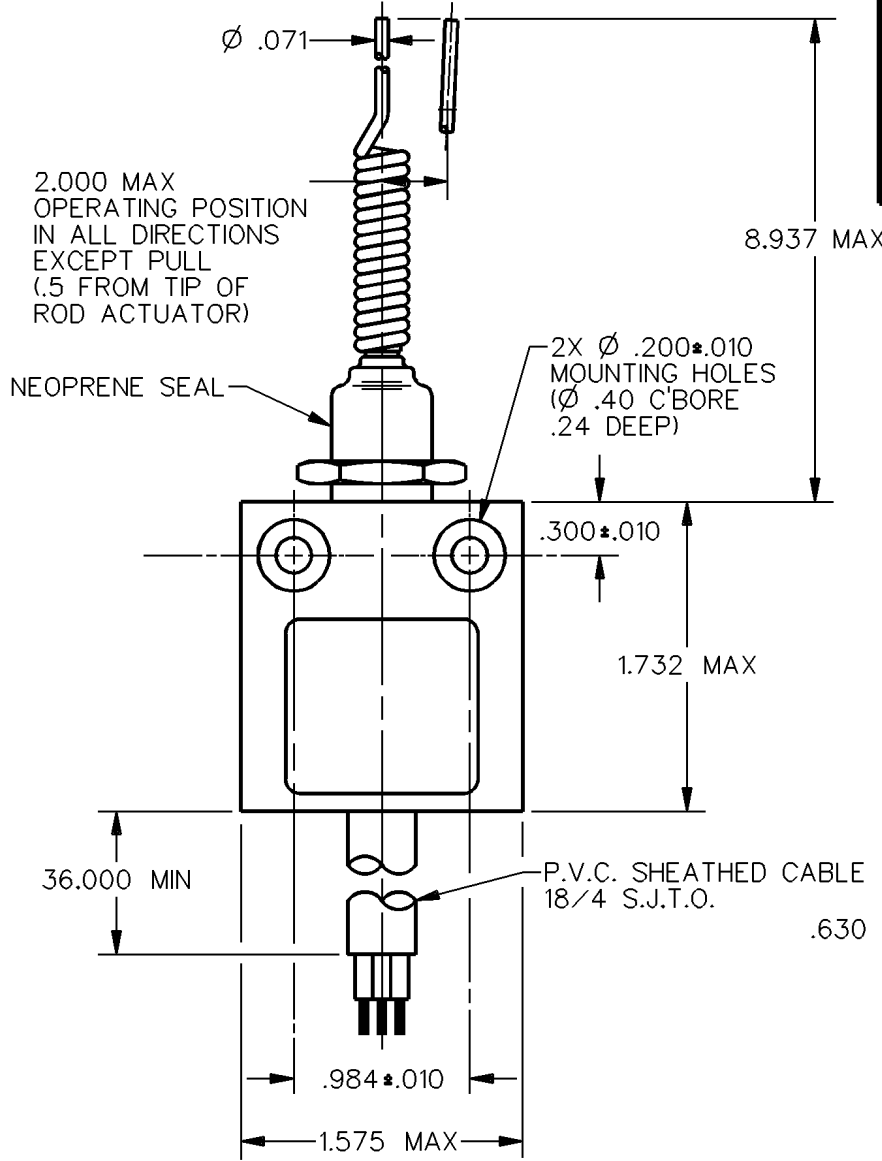
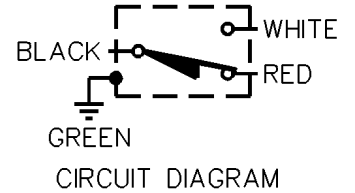
**MICRO SWITCH**  
a Honeywell Division

FED. MFG. CODE 91929

**MINIATURE PRECISION  
LIMIT SWITCH**

CATALOG LISTING

**914CE20-3**

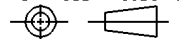


NOTES  
1 - ZINC HOUSING FINISHED WITH GRAY PAINT

ANSI Y14.5M-1982 APPLIES

THIS DRAWING COVERS A PROPRIETARY ITEM AND IS THE PROPERTY OF MICRO SWITCH, A DIVISION OF HONEYWELL. THIS DRAWING IS NOT TO BE COPIED OR USED WITHOUT THE APPROVAL OF MICRO SWITCH.

THIRD ANGLE PROJECTION



**CHARACTERISTICS**  
OPERATING FORCE — — — 2 OZ MAX

**ELECTRICAL DATA**  
CONTACT ARRANGEMENT  
S P D T

SCALE FULL DO NOT SCALE PRINT

5A 1/10HP 125 OR 250 VAC

**UNLESS OTHERWISE SPECIFIED TOLERANCES ARE**

ONE PLACE (.0)	$\pm$ .030
TWO PLACE (.00)	$\pm$ .015
THREE PLACE (.000)	$\pm$ .005
ANGLES	$\pm$



WEIGHT

DDM/CAD

DRAWN

S A V 31 AUG 91

CHECK

S A V 31 AUG 91

CHECK

REVISIONS

REV	CO	DATE
A	69061	
S	V	31 AUG 91

ISSUE

3

DRAWING NUMBER

M

914CE20-3

RELEASE NO. PR-6431-T REPLACES