

**MICRO SWITCH**  
a Honeywell Division

FED.MFG.CODE 91929

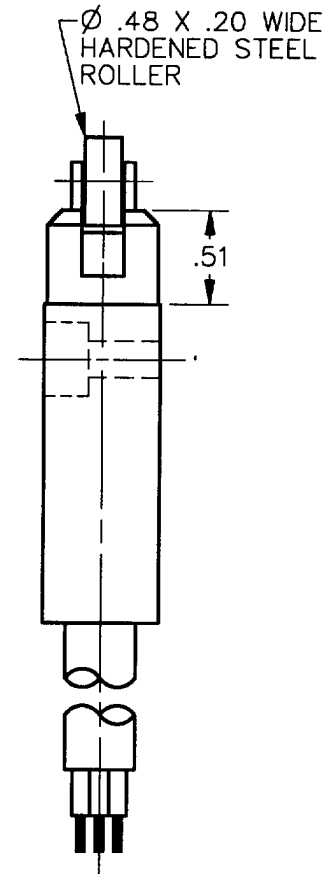
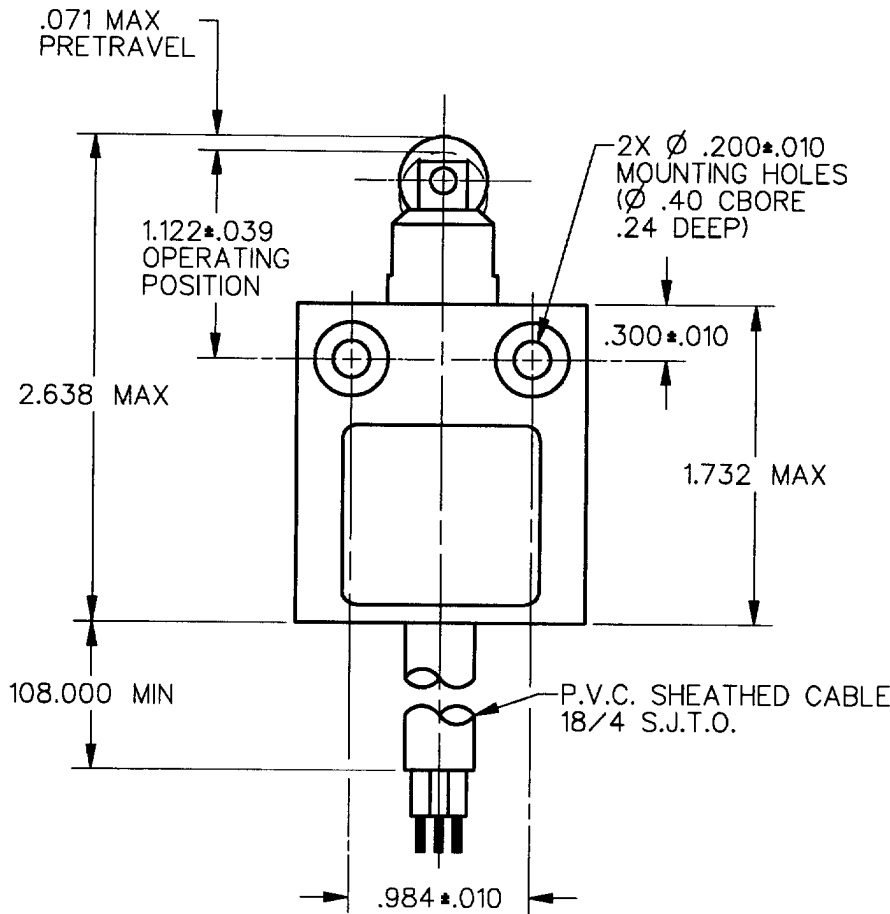
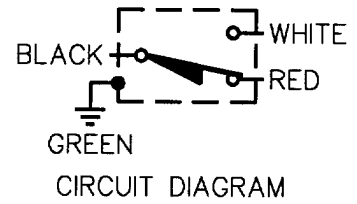
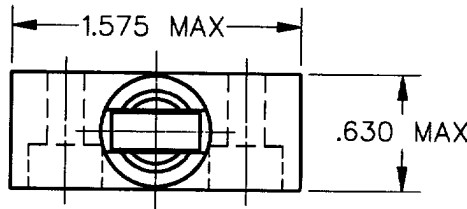
**MINIATURE PRECISION  
LIMIT SWITCH**

CATALOG LISTING

**914CE2-9**

914CE2-9  
 M  
 DRAWING NUMBER  
 5  
 ISSUE  
 REVISIONS  
 A CO-69061  
 S A V  
 31 AUG 91  
 CHECK  
 13 NOV 91  
 DRAW  
 S A V 13 SEPT 91  
 CHECK  
 DDM/CAD  
 DRAWN

REPLACES  
 RELEASE NO. PR-3304  
 CHECK

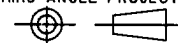


NOTES  
1 - ZINC HOUSING FINISHED WITH GRAY PAINT

ANSI Y14.5M-1982 APPLIES

THIS DRAWING COVERS A PROPRIETARY ITEM AND IS THE PROPERTY OF MICRO SWITCH, A DIVISION OF HONEYWELL. THIS DRAWING IS NOT TO BE COPIED OR USED WITHOUT THE APPROVAL OF MICRO SWITCH.

THIRD ANGLE PROJECTION



CHARACTERISTICS	ELECTRICAL DATA	SCALE	FULL	DO NOT
				SCALE PRINT
OPERATING FORCE ——— 2.7 LB MAX	CONTACT ARRANGEMENT S P D T  5A - 250 VAC 1/10HP - 125 OR 250 VAC  <b>RU</b> <b>®</b>	<b>UNLESS OTHERWISE SPECIFIED TOLERANCES ARE</b>		
RELEASE FORCE ——— 1.0 LB MIN		ONE PLACE (.0)	±.030	
DIFFERENTIAL TRAVEL ——— .004 MAX		TWO PLACE (.00)	±.015	
OVERTRAVEL ——— .118 MIN		THREE PLACE (.000)	±.005	
		ANGLES	±	
		WEIGHT		