

**MICRO SWITCH**

A DIVISION OF MINNEAPOLIS-HONEYWELL REGULATOR COMPANY  
 PLYMOUTH, MINNESOTA  
 FED. MFR. CODE 91929

**SWITCH-BASIC**

(M)MT-4RL-A28  
 ISSUE 4

MT-4RL-A28

M

DRAWING NUMBER

11

ISSUE

REPLACES

RELEASE NO.

CHECK

REVISIONS

A	C082254
	J A K
	16 JAN 96

7 AUG 57

J.W.H.

7 AUG 57

G.C.H.

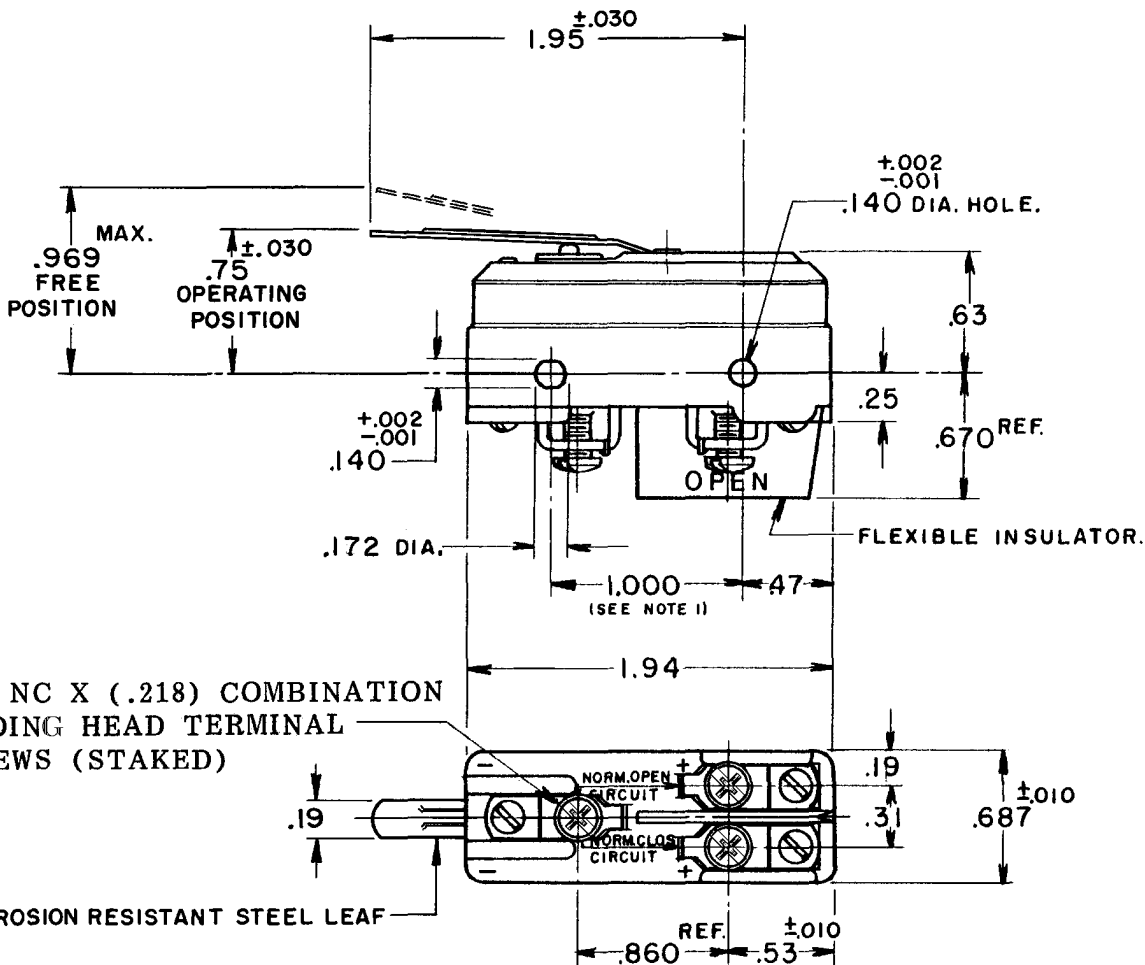
7 AUG 57

6 AUG 57

O.M.W.

6 AUG 57

FORMTEK



6-32 NC X (.218) COMBINATION BINDING HEAD TERMINAL SCREWS (STAKED)

NOTE

- 1- MOUNTING HOLES WILL ACCEPT PINS OR SCREWS OF .139 MAX. DIA. ON 1.000<sup>±.002</sup> CENTERS.
- 2- FOR BEST RESULTS EITHER POLARIZE THE SWITCH WITH THE COMMON TERMINAL WIRED IN NEGATIVE POLARITY OR MOUNT THE SWITCH WITH BRASS SCREWS AND SPACE AT LEAST .250 AWAY FROM MAGNETIC MATERIALS.

THIS DRAWING COVERS A PROPRIETARY ITEM AND IS THE PROPERTY OF MICRO SWITCH, A DIVISION OF HONEYWELL. THIS DRAWING IS NOT TO BE COPIED OR USED WITHOUT THE APPROVAL OF MICRO SWITCH.

**CHARACTERISTICS**

OPERATING FORCE-----12 OZ. MAX.

RELEASE FORCE-----1 OZ. MIN.

DO NOT OVERTRAVEL MORE THAN .060

**ELECTRICAL DATA**

CONTACT ARRANGEMENT  
 S. P. D. T.

NON-POLARIZED	VOLTS D-C 125 250	MOTOR 1/4 HP + -	RESISTIVE 10 AMPS 1.5 TO 3.0*
POLARIZED OR NON-MAGNETICALLY MOUNTED	VOLTS D-C 125 250	MOTOR 1/2 HP + -	RESISTIVE 10 AMPS 1.5 TO 3.0*
* NOT SUITABLE FOR USE AT LESS THAN 1.5 AMPS + WILL NOT BREAK LOCKED ROTOR CURRENT			
UL LISTED - FILE NO. 12252 (NON-POLARIZED); 3A 250 VAC-DC; 10A 125 VAC-DC; CODE L210 1/4 HP 125 VAC-DC			

SCALE FULL

DO NOT SCALE PRINT

UNLESS OTHERWISE SPECIFIED DIMENSIONS ARE IN INCHES  
**TOLERANCES ARE:**  
 ONE PLACE (.0) ±.030  
 TWO PLACE (.00) ±.015  
 THREE PLACE (.000) ±.005  
 ANGLES ±

WEIGHT