

MICRO SWITCH

A DIVISION OF MINNEAPOLIS-HONEYWELL REGULATOR COMPANY
 PROSPER, MASSACHUSETTS
 FED. MFR. CODE 91929

SWITCH - BASIC

CATALOG LISTING
MT-4R

(M) MT-4R
 ISSUE 8

MT-4R

M

DRAWING NUMBER

14

ISSUE
 12

REPLACES

RELEASE NO.

CHECK

19 Aug. 55

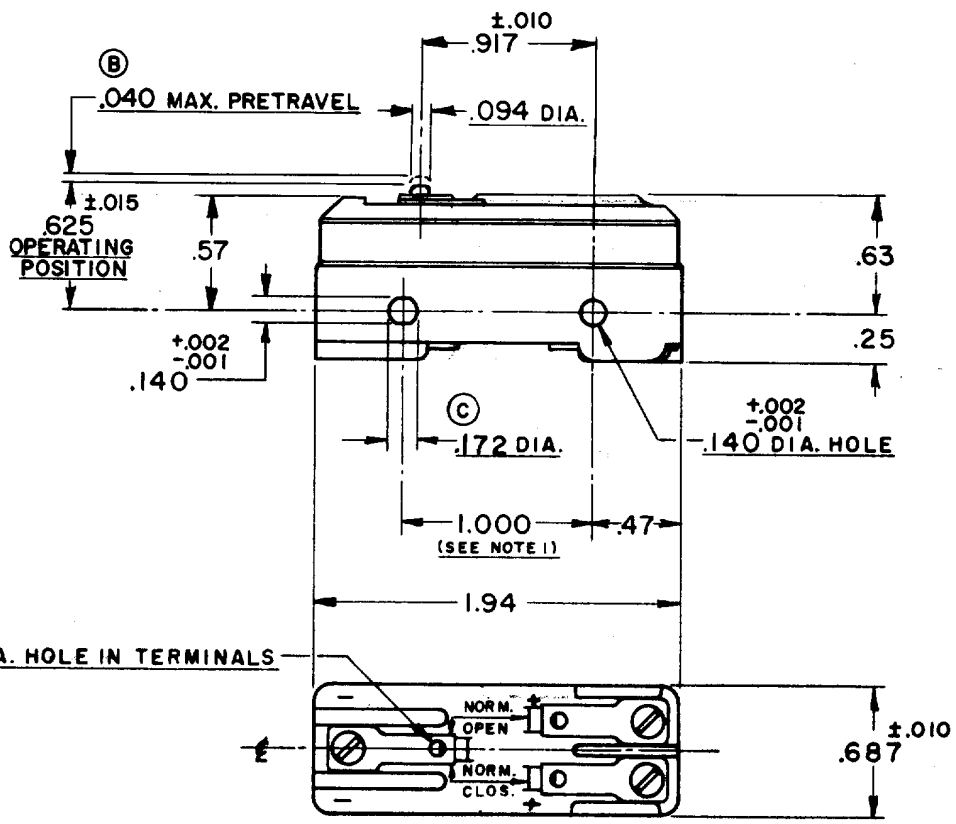
CHECK

17 Aug. 55

C.M.A. 4 AUG. 55

REVISIONS

A	C.O. 9799	C.M.A.	4 AUG. 55
B	C.O. 11613	N.H.L.	31 JULY '57
C	CO13960	MBF	22 OCT 59
D	CO35255	D.B.W.	1 MAY 75
E	CO46819	WJM	26 NOV 79



NOTE -
 1- MOUNTING HOLES WILL ACCEPT PINS OR SCREWS OF .139 MAX. DIA. ON 1.000^{±.002} CENTERS.
 2- FOR BEST RESULTS EITHER POLARIZE THE SWITCH WITH COMMON TERMINAL BEING OF NEGATIVE POLARITY OR MOUNT THE SWITCH WITH BRASS SCREWS AND SPACE AT LEAST .250 FROM MAGNETIC MATERIALS.

THIS DRAWING COVERS A PROPRIETARY ITEM AND IS THE PROPERTY OF MICRO SWITCH, A DIVISION OF HONEYWELL. THIS DRAWING IS NOT TO BE COPIED OR USED WITHOUT THE APPROVAL OF MICRO SWITCH.

CHARACTERISTICS	
OPERATING FORCE	12-18 OZ. (A)
RELEASE FORCE	5 OZ. MIN.
DIFFERENTIAL TRAVEL	.004-.007
OVERTRAVEL	.005 MIN.

ELECTRICAL DATA			
CONTACT ARRANGEMENT S. P. D. T.			
NON-POLARIZED	VOLTS 0-8 125 250	MOTOR 1/4 HP + —	RESISTIVE 10 AMPS 1.5 TO 3.0 S
POLARIZED OR NON-MAGNETICALLY MOUNTED	VOLTS 0-8 125 250	MOTOR 1/2 HP + —	RESISTIVE 10 AMPS 1.5 TO 3.0 S
* NOT SUITABLE FOR USE AT LESS THAN 1.5 AMPS + WILL NOT BREAK LOCKED ROTOR CURRENT			
(C) UNCL. LAB. INC. LISTED RATING (NON-POLARIZED) - 110V - 10A - 125 VDC OR AC; 1/4 HP - 125 WATT			

SCALE FULL	
DO NOT SCALE PRINT	
UNLESS OTHERWISE SPECIFIED DIMENSIONS ARE IN INCHES	
TOLERANCES ARE:	
ONE PLACE (.0)	±.030
TWO PLACE (.00)	±.015
THREE PLACE (.000)	±.005
ANGLES	±
WEIGHT .060 LB.	

74-28