

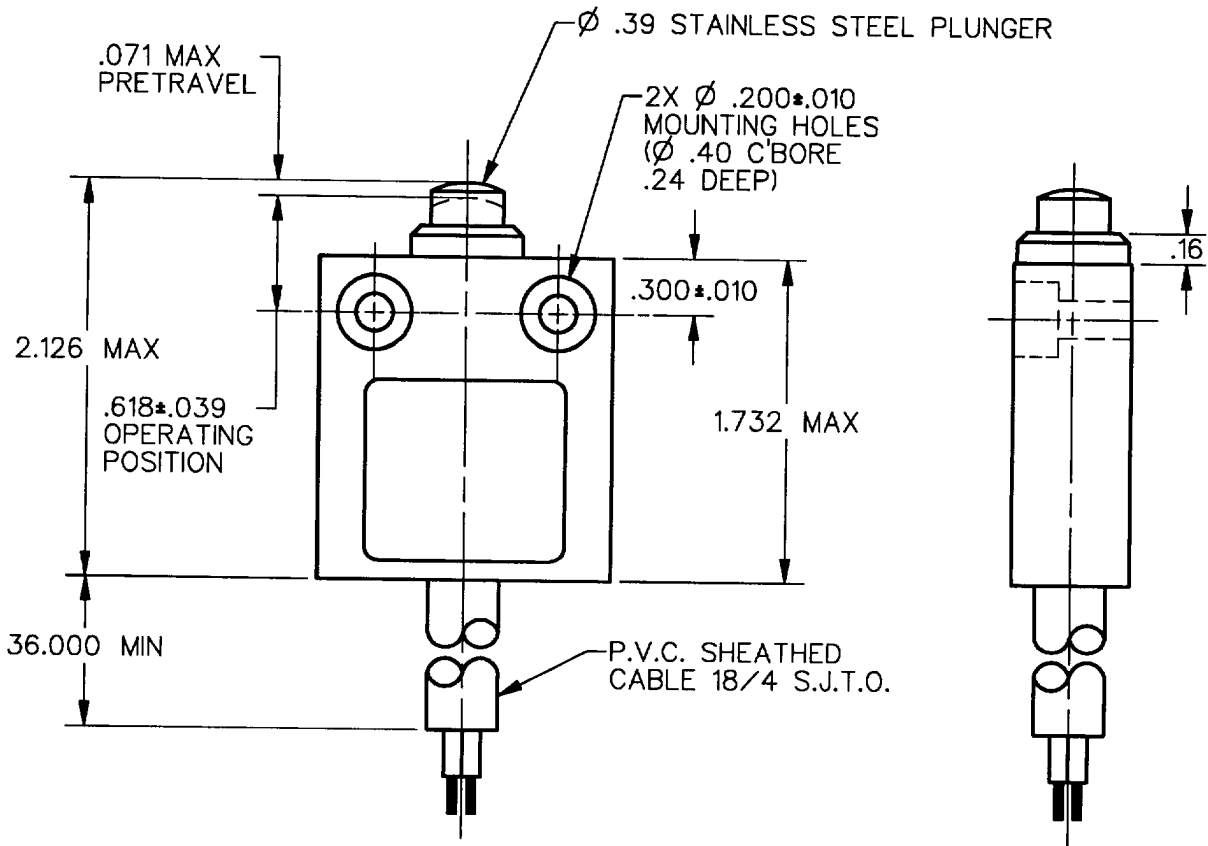
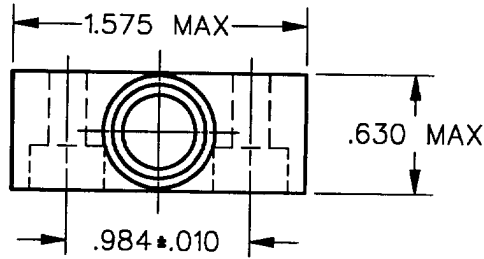
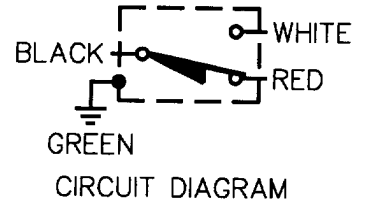
**MICRO SWITCH**  
a Honeywell Division

FED. MFG. CODE 91829

**MINIATURE PRECISION  
LIMIT SWITCH**

CATALOG LISTING

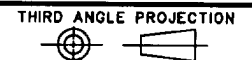
**914CE1-3**



NOTES  
1 - ZINC HOUSING FINISHED WITH GRAY PAINT

ANSI Y14.5M-1982 APPLIES

THIS DRAWING COVERS A PROPRIETARY ITEM AND IS THE PROPERTY OF MICRO SWITCH, A DIVISION OF HONEYWELL. THIS DRAWING IS NOT TO BE COPIED OR USED WITHOUT THE APPROVAL OF MICRO SWITCH.



CHARACTERISTICS
OPERATING FORCE — — — 2.7 LB MAX
RELEASE FORCE — — — 1.0 LB MIN
DIFFERENTIAL TRAVEL — — — .004 MAX
OVERTRAVEL — — — .118 MIN

**ELECTRICAL DATA**

CONTACT ARRANGEMENT  
S P D T

5A - 250 VAC  
1/10HP - 125 OR 250 VAC



SCALE	FULL	DO NOT SCALE PRINT
<b>UNLESS OTHERWISE SPECIFIED TOLERANCES ARE</b>		
ONE PLACE	(.0)	±.030
TWO PLACE	(.00)	±.015
THREE PLACE	(.000)	±.005
ANGLES		±
WEIGHT		

914CE1-3

**M**

DRAWING NUMBER

7

ISSUE

REVISIONS  
A CO-69061  
S A V  
29 AUG 91

RELEASE NO. PR-1444-T REPLACES

CHECK

CHECK

14 NOV 91

DDM/CAD  
DRAWN

S A V 29 AUG 91 CHECK