

MICRO SWITCH

A DIVISION OF MINNEAPOLIS-HONEYWELL REGULATOR COMPANY
 FREDERICK, BALTIMORE
 FED. MFR. CODE 91929

ASSEMBLY-SWITCH

CATALOG LISTING

IAC 2

5

(M) IAC2
 ISSUE II

REPLACES

RELEASE NO.

CHECK

CHECK

CHECK

CHECK

IAC2

M

DRAWING NUMBER

1213

ISSUE

REVISIONS

A CO15200
 M B F
 17 OCT 60

B CO
 61338
 G R T
 28 MAY 67

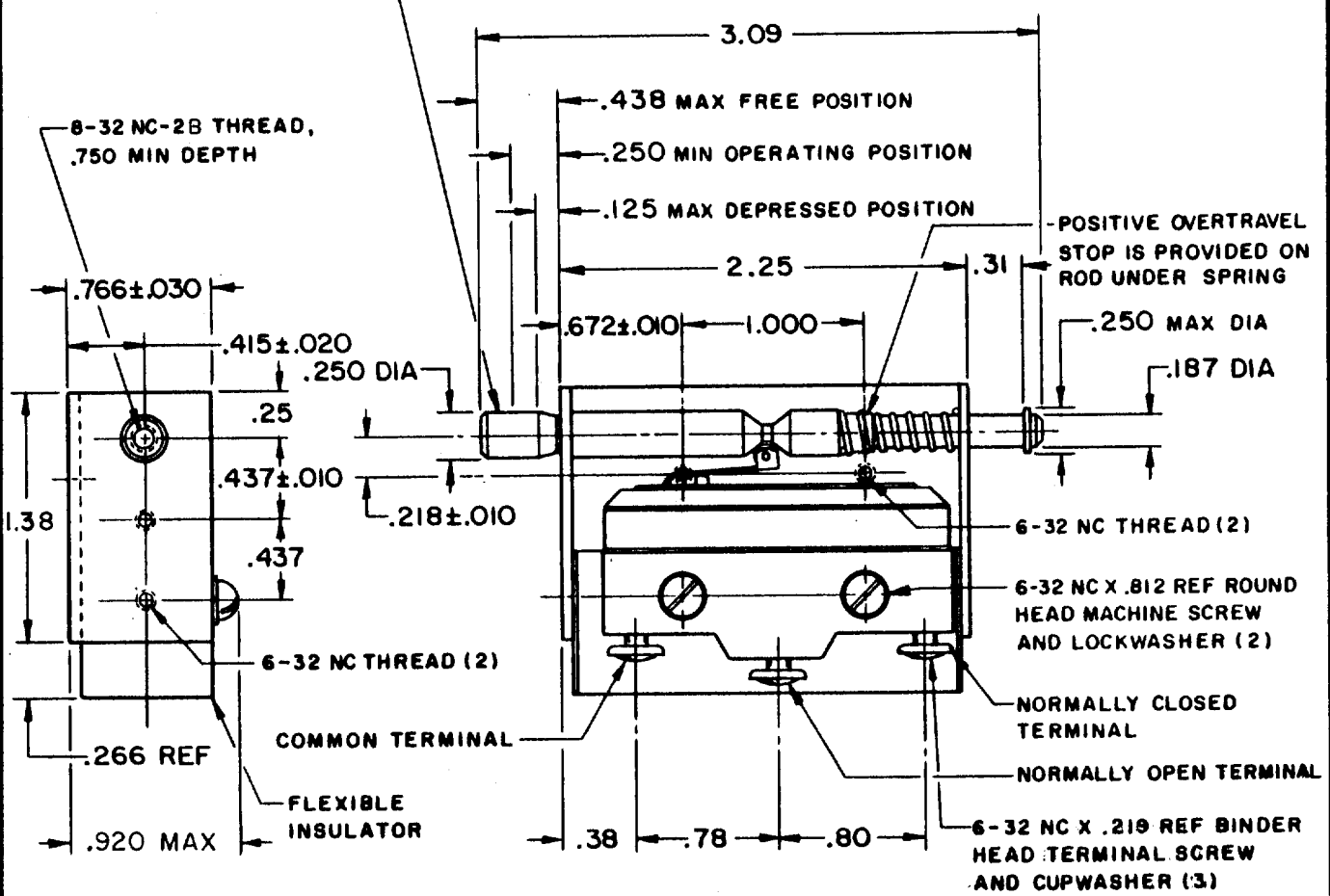
DAW 21 OCT 60

CHECK

CHECK

MBF 17 OCT 60

PUSH TO OPERATE - RETURNS AUTOMATICALLY TO POSITION SHOWN
 PULL TO OPERATE - REMAINS IN OPERATED POSITION UNTIL RESET FOR
 AUTOMATIC RETURN BY NEXT FULL STROKE "PUSH" OPERATION



NOTE -
 1 - UNIT INCLUDES CAT. LIST. BZ-2RL711 BASIC SWITCH
 2 - NOTCH IN ACTUATOR ROD WILL PERMIT .035 DISPLACEMENT
 BETWEEN END OF ROD AND HOLE IN BRACKET

THIS DRAWING COVERS A PROPRIETARY ITEM AND IS THE PROPERTY OF MICRO SWITCH, A DIVISION OF MINNEAPOLIS-HONEYWELL REGULATOR CO. THIS DRAWING IS NOT TO BE COPIED OR USED WITHOUT THE APPROVAL OF MICRO SWITCH.

CHARACTERISTICS	ELECTRICAL DATA		SCALE FULL
TOTAL TRAVEL-.312 APPROX PUSH DIRECTION .312 APPROX PULL DIRECTION	CONTACT ARRANGEMENT S P D T	BREAK DISTANCE .020 MIN	DO NOT SCALE PRINT
FULLY DEPRESSED FORCE --- 3 1/2 LBS	15 A-125, 250 OR 480 VAC 1/2 A-125 VDC; 1/4 A-250 VDC		UNLESS OTHERWISE SPECIFIED DIMENSIONS ARE IN INCHES TOLERANCES ARE: ONE PLACE (.0) ±.030 TWO PLACE (.00) ±.015 THREE PLACE (.000) ±.005 ANGLES ±
			WEIGHT .190 LB