

MTG-GL-178

REVISE NUMBER

ACT-18-28

REV. NO.

ISSUE

REPLACES

REVISIONS

01	12/19/2005
02	04/18/2006
03	02/12/06
04	01/19/2003
05	11/13/97
06	02/05/2003
07	01/19/97
08	02/05/2006
09	02/13/95
10	01/19/98

Homewell

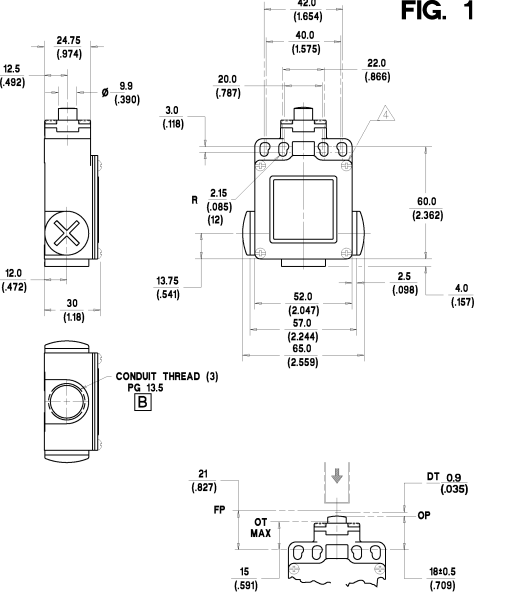
LIMIT SWITCH

CATALOGUE LISTING

GLS

CHART NO.

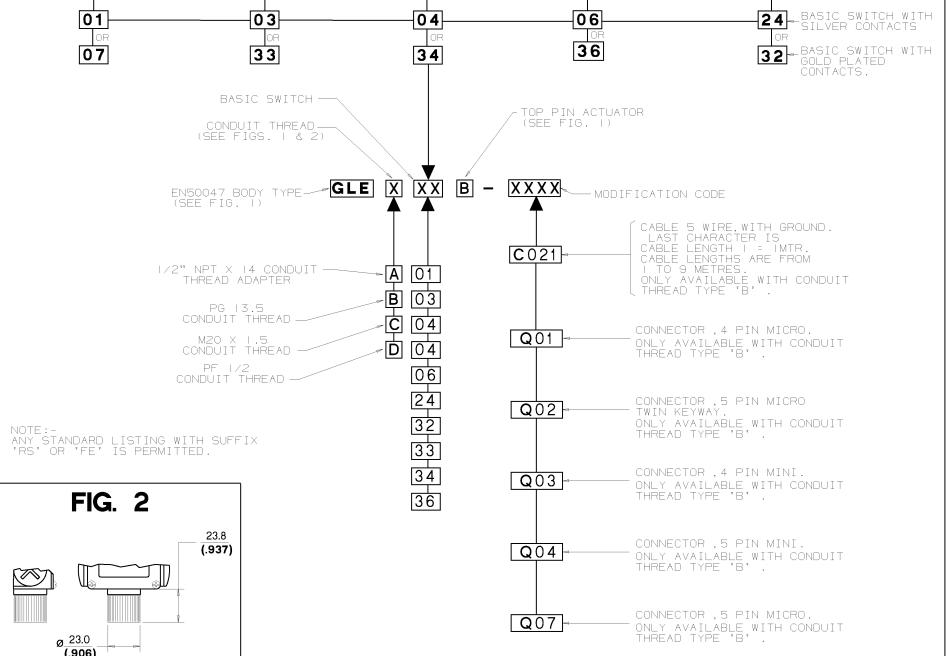
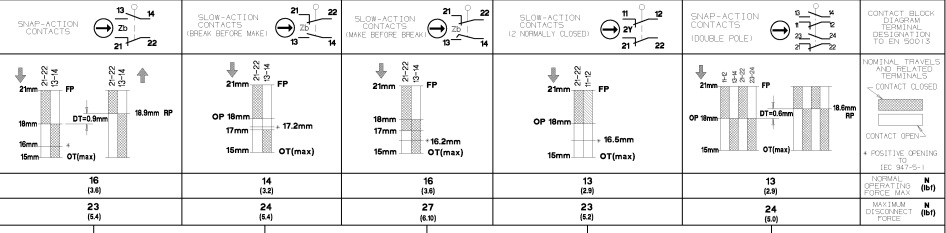
MTG-GL-178



NOTES:-

- ZINC DIECAST BODY AND HEAD WITH STEEL COVER. BODY AND COVER FINISHED IN MICRO SWITCH BLUE EPOXY PAINT. HEAD FINISHED IN BLACK EPOXY PAINT.
- MINIMUM OPERATING VELOCITY (V_{min}) : 1.0 MM/S (THESE LIMITS APPLY TO CAM OPERATION AS SHOWN IN THE ABOVE DIAGRAMS ONLY)
- MAXIMUM OPERATING VELOCITY (V_{max}) : 100 MM/S
- MAXIMUM OPERATING FREQUENCY (F_{max}) : 250 OPS/MIN
- FREE POSITION (FP), OPERATING POINT (OP), OVERTRAVEL (OT) AND PRETRAVEL (PT) ALL TO EN50047.
- MAXIMUM TIGHTENING TORQUE FOR FIXING SCREW : 0.5Nm (4.41n.LB)

NO CHANGES CAN BE MADE TO THIS DRAWING WITHOUT JOINT NEWHOUSE/FREEPORT APPROVAL



NOTE:-
ANY STANDARD LISTING WITH SUFFIX 'RS' OR 'FE' IS PERMITTED.

NOTE:
FOR CONNECTION DIAGRAMS AND ADDITIONAL ELECTRICAL, ENVIRONMENTAL & DIMENSIONAL INFORMATION SEE DRAWING GL-49212.

NOTE:- CABLE AND CONNECTOR WILL BE FITTED TO BOTTOM EXIT CONDUIT ONLY. OTHER OPTIONS CUSTOMER SPECIAL 'N' LISTING.

STANDARD SILVER CONTACTS	SOLD PLATED CONTACTS	ELECTRICAL RATINGS	ENVIRONMENTAL	APPROVALS
AC	DC	I _{th} 10A	IP66 NEMA 1, 4, 12, 13	 IEC 947-5-1 EN50047
A300 AC 15 14	0200 DC 13 14	1V 10mA MIN. ISOV 100mA MAX.	TEMP RANGE : -25°C TO 85°C STORAGE : +15°F TO 185°F SHOCK : 50G PER IEC 68-2-27 VIBRATION : 10G PER IEC 68-2-6	
120 6 240 5	125 0.56 250 0.27			

SCALE 1:1 DIMENSIONS ARE IN MM/INCHES. MODIFY ON CAD30 SYSTEM ONLY