

MTG-GL-170

REVISIONS

ISSUE NO. 0

RELEASE NUMBER

REVISIONS

01 3/2/86

02 10/18/87

03 11/2/87

04 02/01/89

05 11/9/87

06 02/01/89

07 11/2/87

DESIGNER: M. L. LOCH

CHECKED: J. MEZEL

APPROVED: J. BOYD

DATE: 3/2/86

SCALE: 1:1

STANDARD SILVER CONTACTS

SOLD PLATED CONTACTS

ELECTRICAL RATINGS

ENVIRONMENTAL

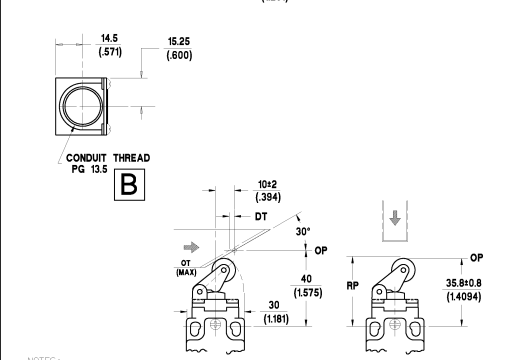
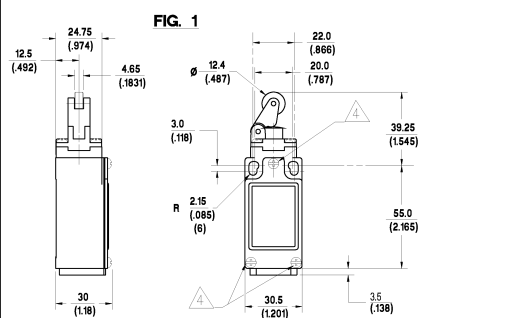
APPROVALS

Homagwell

LIMIT SWITCH

CATALOGUE LISTING: **GLS**

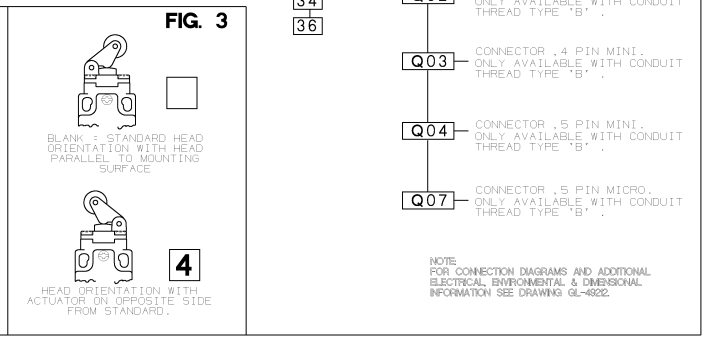
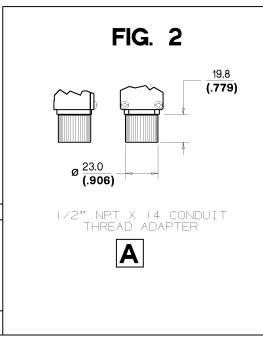
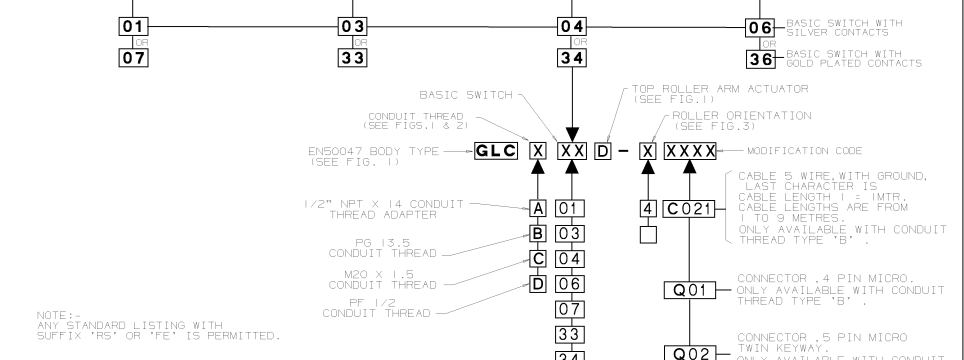
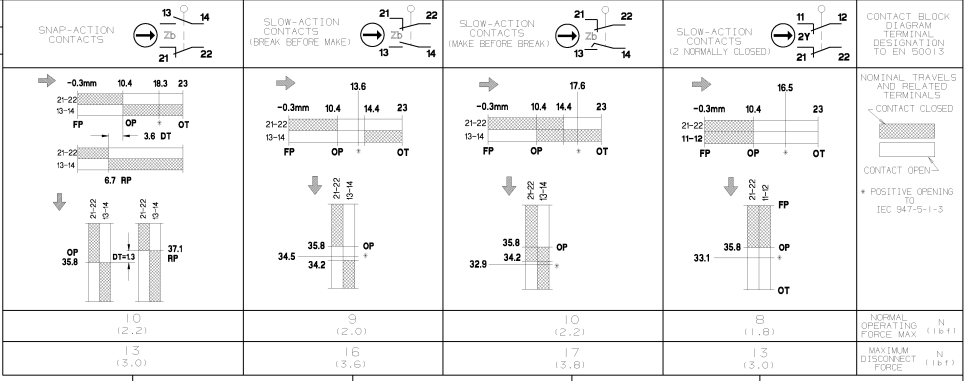
CHART NO.: **MTG-GL-170**



NOTES:-

- ZINC DIECAST BODY AND HEAD WITH STEEL COVER. BODY AND COVER FINISHED IN MICRO SWITCH BLUE EPOXY PAINT. BODY AND COVER FINISHED IN BLACK EPOXY PAINT.
- MINIMUM OPERATING VELOCITY (V_{min}) = 1.0 MW/S (THESE LIMITS APPLY TO CAM OPERATION AS SHOWN IN THE ABOVE DIAGRAMS ONLY)
- MAXIMUM OPERATING VELOCITY (V_{max}) = 100 MW/S
- MAXIMUM OPERATING FREQUENCY (F_{max}) = 250 OPS/MIN
- FREE POSITION (FP), OPERATING POINT (OP), OVERTRAVEL (OT) AND PRETRAVEL (PT) ALL TO EN50047.
- MAXIMUM TIGHTENING TORQUE FOR FIXING SCREW = 0.5Nm (4.41in.LB)

NO CHANGES CAN BE MADE TO THIS DRAWING WITHOUT JOINT NEWHOUSE-FREEMONT APPROVAL



STANDARD SILVER CONTACTS	SOLD PLATED CONTACTS	ELECTRICAL RATINGS	ENVIRONMENTAL	APPROVALS
AC	DC	I _{th} 10A	IP66 NEMA 1, 4, 12, 13	UL
A300 AC 15	0300 DC 15		TEMP RANGE: -25°F TO 85°F	EN50047
120 AC 15	120 DC 15		STORAGE: -40°F TO 85°F	
240 AC 5	250 DC 5	1V 100A MIN. SOV 100mA MAX.	SHOCK: 50G PER IEC 68-2-27	IEC 947-5-1
			VIBRATION: 10G PER IEC 68-2-6	EN50047

SCALE: 1:1

DIMENSIONS ARE IN MM/INCHES.

MODIFY ON CAD SYSTEM ONLY

NOTE: FOR CONNECTION DIAGRAMS AND ADDITIONAL ELECTRICAL, ENVIRONMENTAL & DIMENSIONAL INFORMATION SEE DRAWING GL-4822