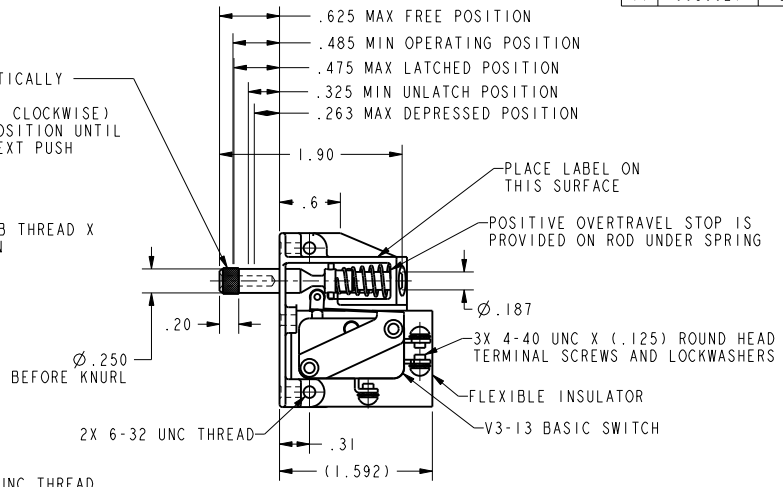
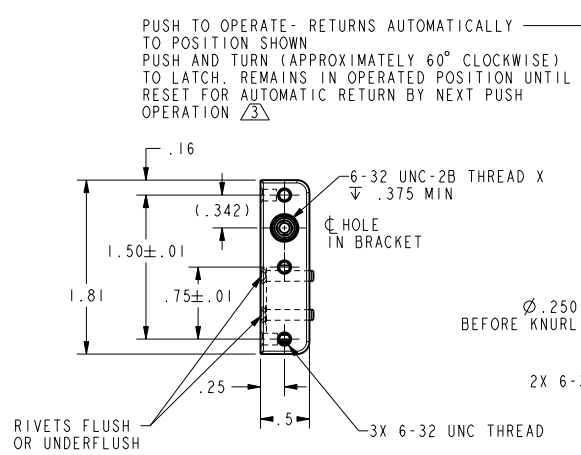


HONEYWELL PART NUMBER
13AC1

REV	DOCUMENT	CHANGED BY	CHECK
11	0036921	SS 25JAN08	BLR



**ELECTRICAL DATA**

CONTACT ARRANGEMENT  
 S P D T

15.1A 1/2HP 125, 250 VAC  
 1/2A 125 VDC, 1/4A 250 VDC  
 5A 125 VAC "L"

**CHARACTERISTICS**

TOTAL TRAVEL - .360 APPROX  
 FULLY DEPRESSED FORCE - 4 LBS MAX

**NOTES**

- 1 - PLASTIC PARTS ARE MADE OF MINERAL FILLED PHENOLICS
  - 2 - WITH ROD IN ACTUATED POSITION, BASIC SWITCH PLUNGER MUST HAVE .010 MIN OVERTRAVEL AND WITH ROD IN FREE POSITION BASIC SWITCH PLUNGER MUST HAVE .005 MIN RELEASE TRAVEL
- $\triangle$  PLUNGER MUST BE DEPRESSED TO WITHIN .325 FROM THE FRONT SURFACE OF MOUNTING BRACKET TO ASSURE RESET FOR AUTOMATIC RETURN

DESIGN UNITS: INCH	
TOLERANCES UNLESS NOTED:	
NO PLACES X ±	0.030
ONE PLACE .X ±	0.015
TWO PLACE .XX ±	0.005
THREE PLACE .XXX ±	-
ANGLES X ±	-
THIRD ANGLE PROJECTION	

DRAWN	SS	25JAN08
CHECK	BLR	25JAN08
THIS DRAWING COVERS A PROPRIETARY ITEM AND IS THE PROPERTY OF HONEYWELL. THIS DRAWING IS NOT TO BE COPIED OR USED WITHOUT THE PERMISSION OF HONEYWELL.		
INTERPRET PER ANSI Y14.5M-1982 OTHER HONEYWELL ENGINEERING STANDARDS MAY APPLY		
Pro/ENGINEER 3D		

<b>Honeywell</b>				
TITLE <b>ASSEMBLY, SWITCH</b>				
SIZE	TYPE	CAGE CODE	DRAWING NAME	REV
B	I	-	13AC1	11
SCALE 1:1			SHEET 1 OF 1	