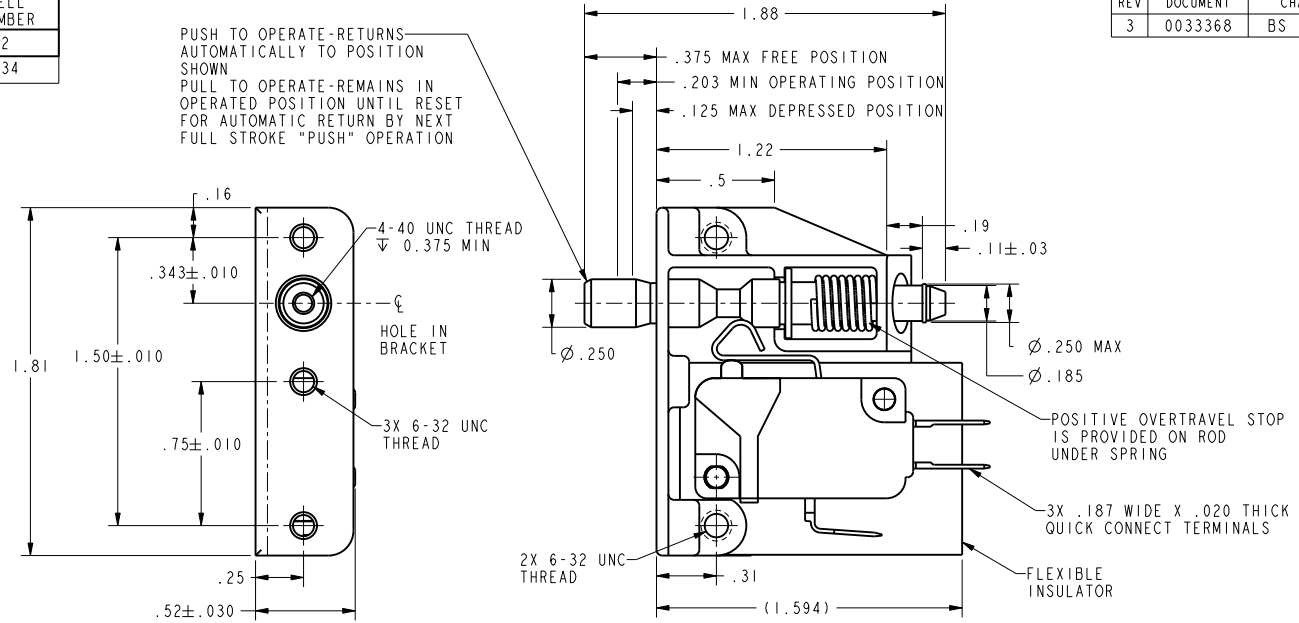


FO-55111-B

HONEYWELL PART NUMBER
23AC82
KC-R1634

REV	DOCUMENT	CHANGED BY	CHECK
3	0033368	BS 18JAN08	BLR

PUSH TO OPERATE-RETURNS
AUTOMATICALLY TO POSITION
SHOWN
PULL TO OPERATE-REMAINS IN
OPERATED POSITION UNTIL RESET
FOR AUTOMATIC RETURN BY NEXT
FULL STROKE "PUSH" OPERATION



- NOTES
- UNIT INCLUDES CATALOG LISTING "V7-6A17D8-296-S" BASIC SWITCH
 - BASIC SWITCH PLASTIC PARTS ARE MADE OF GLASS FILLED PCT AND TEFLON FILLED PHENOLIC
 - ACTUATOR ROD MADE OF HIGH STRENGTH PLASTIC
 - UL AND CSA APPROVALS APPLY TO BASIC SWITCH ONLY

<table border="1"> <thead> <tr> <th>CHARACTERISTICS</th> <th>ELECTRICAL DATA</th> </tr> </thead> <tbody> <tr> <td>TOTAL TRAVEL: .250 APPROX PUSH DIRECTION .187 APPROX PULL DIRECTION</td> <td>CONTACT ARRANGEMENT S P D T</td> </tr> <tr> <td>FULLY DEPRESSED FORCE-- 4 LBS MAX</td> <td>5A 125, 250, 277 VAC 1/10HP 250 VAC</td> </tr> </tbody> </table>	CHARACTERISTICS	ELECTRICAL DATA	TOTAL TRAVEL: .250 APPROX PUSH DIRECTION .187 APPROX PULL DIRECTION	CONTACT ARRANGEMENT S P D T	FULLY DEPRESSED FORCE-- 4 LBS MAX	5A 125, 250, 277 VAC 1/10HP 250 VAC	<table border="1"> <thead> <tr> <th colspan="2">DESIGN UNITS: INCH</th> </tr> <tr> <th colspan="2">TOLERANCES UNLESS NOTED:</th> </tr> </thead> <tbody> <tr> <td>NO PLACES</td> <td>x ± 0.030</td> </tr> <tr> <td>ONE PLACE</td> <td>.x ± 0.015</td> </tr> <tr> <td>TWO PLACE</td> <td>.xx ± 0.005</td> </tr> <tr> <td>THREE PLACE</td> <td>.xxx ±</td> </tr> <tr> <td>ANGLES</td> <td>x ±</td> </tr> </tbody> </table>	DESIGN UNITS: INCH		TOLERANCES UNLESS NOTED:		NO PLACES	x ± 0.030	ONE PLACE	.x ± 0.015	TWO PLACE	.xx ± 0.005	THREE PLACE	.xxx ±	ANGLES	x ±	<table border="1"> <tr> <td>DRAWN</td> <td>BS</td> <td>18JAN08</td> </tr> <tr> <td>CHECK</td> <td>BLR</td> <td>18JAN08</td> </tr> </table>	DRAWN	BS	18JAN08	CHECK	BLR	18JAN08	<p>Honeywell</p> <p>TITLE</p> <p>ASSEMBLY-SWITCH</p>
	CHARACTERISTICS	ELECTRICAL DATA																											
TOTAL TRAVEL: .250 APPROX PUSH DIRECTION .187 APPROX PULL DIRECTION	CONTACT ARRANGEMENT S P D T																												
FULLY DEPRESSED FORCE-- 4 LBS MAX	5A 125, 250, 277 VAC 1/10HP 250 VAC																												
DESIGN UNITS: INCH																													
TOLERANCES UNLESS NOTED:																													
NO PLACES	x ± 0.030																												
ONE PLACE	.x ± 0.015																												
TWO PLACE	.xx ± 0.005																												
THREE PLACE	.xxx ±																												
ANGLES	x ±																												
DRAWN	BS	18JAN08																											
CHECK	BLR	18JAN08																											
<table border="1"> <tr> <td colspan="2">THIRD ANGLE PROJECTION</td> </tr> <tr> <td colspan="2"> </td> </tr> </table>		THIRD ANGLE PROJECTION				<table border="1"> <tr> <td colspan="2">THIS DRAWING COVERS A PROPRIETARY ITEM AND IS THE PROPERTY OF HONEYWELL. THIS DRAWING IS NOT TO BE COPIED OR USED WITHOUT THE PERMISSION OF HONEYWELL.</td> </tr> <tr> <td colspan="2">INTERPRET PER ASME Y14.5M-1994 OTHER HONEYWELL ENGINEERING STANDARDS MAY APPLY</td> </tr> </table>	THIS DRAWING COVERS A PROPRIETARY ITEM AND IS THE PROPERTY OF HONEYWELL. THIS DRAWING IS NOT TO BE COPIED OR USED WITHOUT THE PERMISSION OF HONEYWELL.		INTERPRET PER ASME Y14.5M-1994 OTHER HONEYWELL ENGINEERING STANDARDS MAY APPLY		<table border="1"> <tr> <td>SIZE</td> <td>TYPE</td> <td>DRAWING NAME</td> <td>REV</td> </tr> <tr> <td>B</td> <td>I</td> <td>23AC82</td> <td>3</td> </tr> </table>	SIZE	TYPE	DRAWING NAME	REV	B	I	23AC82	3										
THIRD ANGLE PROJECTION																													
THIS DRAWING COVERS A PROPRIETARY ITEM AND IS THE PROPERTY OF HONEYWELL. THIS DRAWING IS NOT TO BE COPIED OR USED WITHOUT THE PERMISSION OF HONEYWELL.																													
INTERPRET PER ASME Y14.5M-1994 OTHER HONEYWELL ENGINEERING STANDARDS MAY APPLY																													
SIZE	TYPE	DRAWING NAME	REV																										
B	I	23AC82	3																										
		Pro/ENGINEER 3D	SCALE 2:1	SHEET 1 OF 1																									