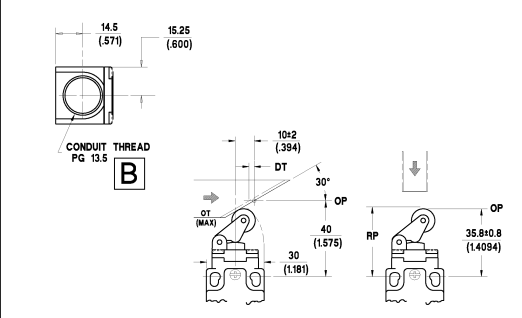
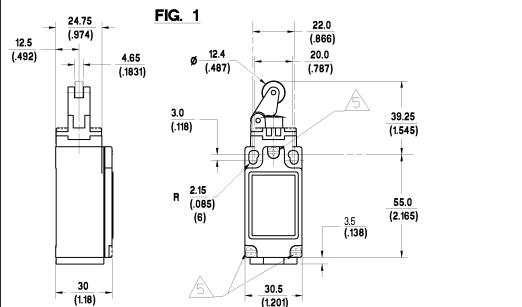


MTG-GL-175

REVISEMENTS

1. 2-7-96  
 2. 10-18-92  
 3. 11-12-96  
 4. 10-18-93  
 5. 11-12-97  
 6. 02-02-09  
 7. 03-19-97  
 8. 02-02-06  
 9. 01-03-99  
 10. 11-18-98

Honeywell	LIMIT SWITCH	CATALOGUE LISTING
		GLS
		CHART NO.
		MTG-GL-175

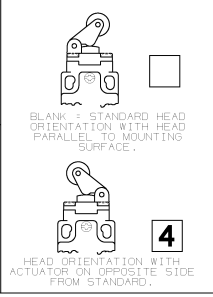
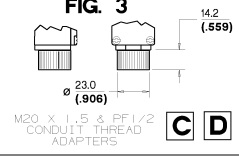
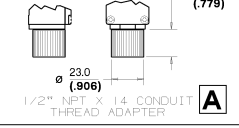
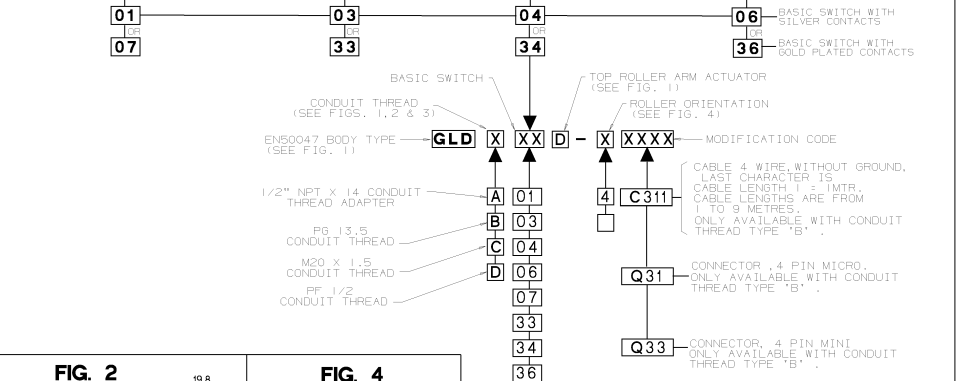
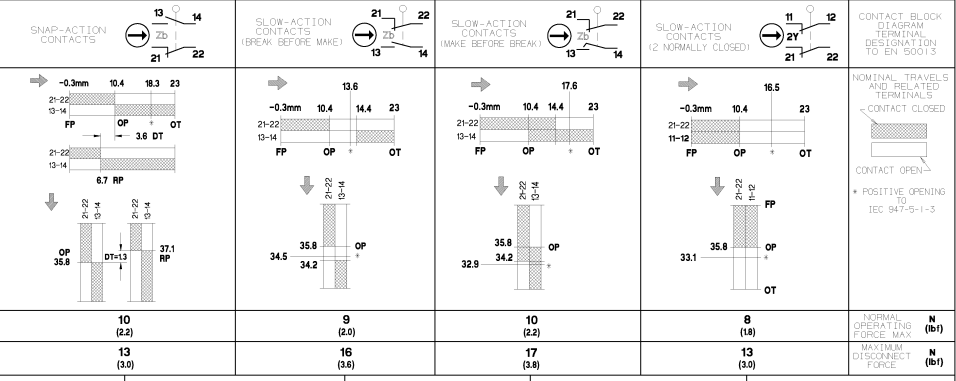


**NOTES:-**

- MICRO SWITCH BLUE GLASS FILLED POLYESTER HOUSING & COVER.
- BLACK GLASS FILLED POLYIMIDE HEAD.
- ENCLOSURE DOUBLE INSULATED TO IEC 539 CLASS II.
- MINIMUM OPERATING VELOCITY (V<sub>min</sub>) : 1.0 MM/S (THESE LIMITS APPLY TO CAM OPERATION AS SHOWN IN THE ABOVE DIAGRAMS ONLY)
- MAXIMUM OPERATING VELOCITY (V<sub>max</sub>) : 100 MM/S
- MAXIMUM OPERATING FREQUENCY (F<sub>max</sub>) : 250 OPS/MIN
- FREE POSITION (FP), OPERATING POINT (OP), OVERTRAVEL (OT) AND PRETRAVEL (PT) ALL TO EN50047.
- MAXIMUM TIGHTENING TORQUE FOR FIXING SCREW = 0.5Nm (4.4in.LB)

NO CHANGES CAN BE MADE TO THIS DRAWING WITHOUT JOINT NEWHOUSE/FREEMOT APPROVAL

IEC 947-5-1 ELECTRICAL RATING				ENVIRONMENTAL	APPROVALS
SILVER CONTACTS		GOLD PLATED CONTACTS			
AC	DC	AC	DC	IP66 NEMA 1, 4, 12, 13	  IEC 947-5-1 EN50047
U <sub>e</sub>	U <sub>c</sub>	U <sub>e</sub>	U <sub>c</sub>		
I <sub>n</sub>	I <sub>n</sub>	I <sub>n</sub>	I <sub>n</sub>	TEMP RANGE : -25°C TO 85°C	
I <sub>th</sub>	I <sub>th</sub>	I <sub>th</sub>	I <sub>th</sub>	STORAGE : -15°F TO 185°F	
I <sub>th</sub>	I <sub>th</sub>	I <sub>th</sub>	I <sub>th</sub>	SHOCK : +40°C TO 95°C	
I <sub>th</sub>	I <sub>th</sub>	I <sub>th</sub>	I <sub>th</sub>	VIBRATION : 10G PER IEC 68-2-27	
I <sub>th</sub>	I <sub>th</sub>	I <sub>th</sub>	I <sub>th</sub>	VIBRATION : 10G PER IEC 68-2-6	



**NOTE:-**  
 ANY STANDARD LISTING WITH SUFFIX 'RS' OR 'FE' IS PERMITTED.

**NOTE:**  
 FOR CONNECTION DIAGRAMS AND ADDITIONAL ELECTRICAL, ENVIRONMENTAL & DIMENSIONAL INFORMATION SEE DRAWING GL-49212.