

MTG-GL-195

ISSUE NUMBER

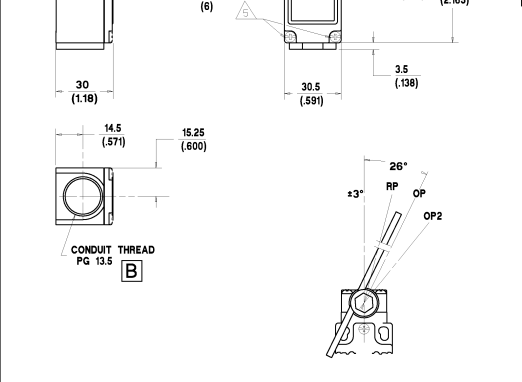
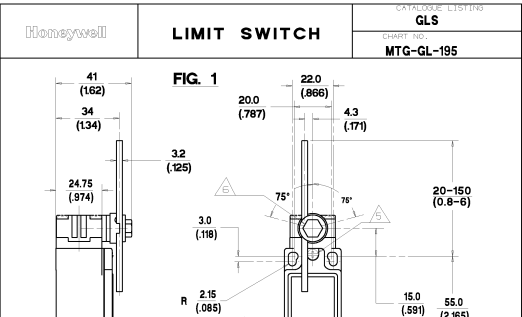
RELEASE NUMBER

ADDED TO

REPLACES

REVISIONS

1	7/79	
2	8/80	
3	12/86	
4	8/83	
5	12/86	
6	12/87	
7	10/88	
8	12/88	
9	12/88	
10	12/88	
11	12/88	
12	12/88	
13	12/88	
14	12/88	
15	12/88	
16	12/88	
17	12/88	
18	12/88	
19	12/88	
20	12/88	
21	12/88	
22	12/88	
23	12/88	
24	12/88	
25	12/88	
26	12/88	
27	12/88	
28	12/88	
29	12/88	
30	12/88	
31	12/88	
32	12/88	
33	12/88	
34	12/88	
35	12/88	
36	12/88	



NOTES:-

- MICRO SWITCH BLUE GLASS FILLED POLYESTER HOUSING & COVER, BLACK GLASS FILLED POLYAMIDE HEAD.
- ENCLOSURE DOUBLE INSULATED TO IEC 539 CLASS II.
- MINIMUM OPERATING VELOCITY ( $V_{min}$ ) = 0.26 rad/s  
MAXIMUM OPERATING VELOCITY ( $V_{max}$ ) = 25 rad/s  
MAXIMUM OPERATING FREQUENCY ( $f_{max}$ ) = 250 OPS/MIN
- FREE POSITION (FP), OPERATING POINT (OP), OVERTRAVEL (OT) AND PRETRAVEL (PT) ALL TO EN50047.

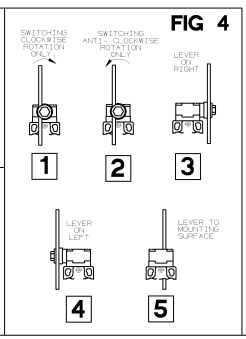
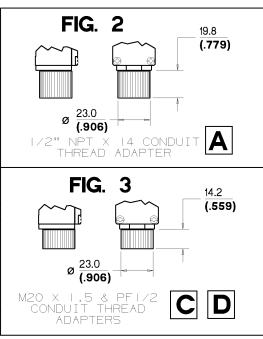
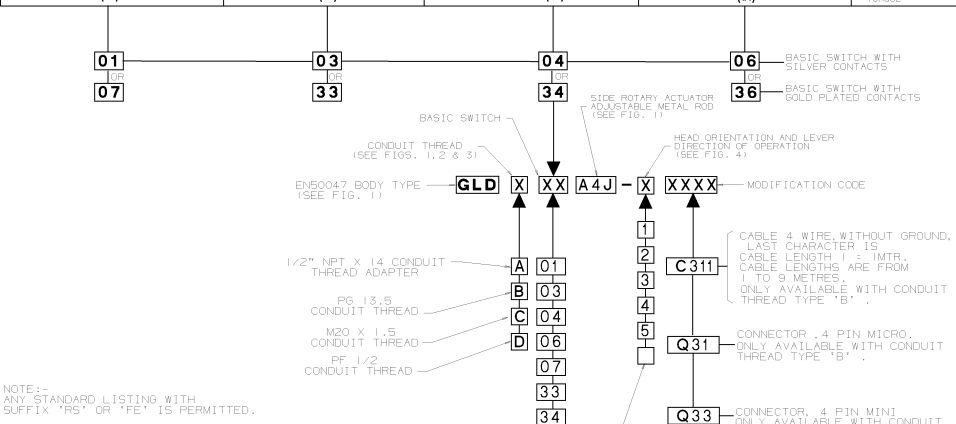
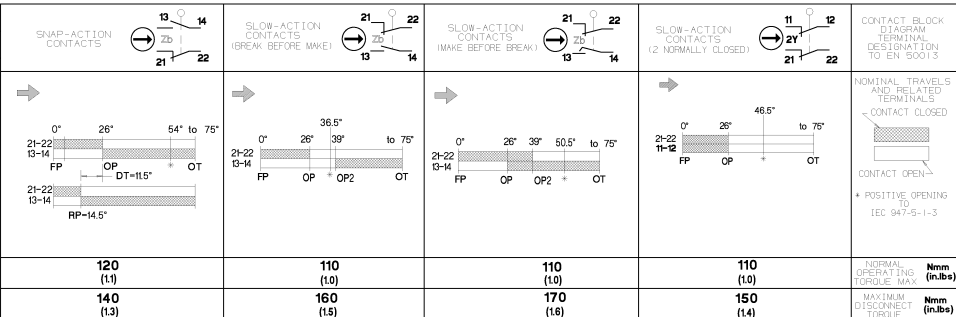
△ MAXIMUM TIGHTENING TORQUE FOR FIXING SCREW = 0.5Nm (4.41n.LB)  
△ MAXIMUM TIGHTENING TORQUE FOR FIXING SCREW = 0.8Nm (7.1n.LB)

NO CHANGES CAN BE MADE TO THIS DRAWING WITHOUT JOINT NEWHOUSE/FREEMONT APPROVAL

IEC 947-5-1 ELECTRICAL RATING				ENVIRONMENTAL		APPROVALS
SILVER CONTACTS		GOLD PLATED CONTACTS				
AC	DC	AC	DC			4
U <sub>e</sub>	U <sub>c</sub>	U <sub>e</sub>	U <sub>c</sub>			
I <sub>e</sub>	I <sub>c</sub>	I <sub>e</sub>	I <sub>c</sub>			IEC 947-5-1 EN50047
1000	1000	1000	1000			
100	100	100	100			
10	10	10	10			
5	5	5	5			
2.5	2.5	2.5	2.5			
1.25	1.25	1.25	1.25			
0.625	0.625	0.625	0.625			
0.3125	0.3125	0.3125	0.3125			
0.15625	0.15625	0.15625	0.15625			

TEMP RANGE : -25°C TO 85°C  
+15°F TO 185°F  
STORAGE : -40°C TO 85°C  
-40°F TO 185°F  
SHOCK : 50G PER IEC 68-2-27  
VIBRATION : 10G PER IEC 68-2-6

SCALE: DIMENSIONS ARE IN MM/INCHES. MODIFY ON CAD SYSTEM ONLY



NOTE FOR CONNECTION DIAGRAMS AND ADDITIONAL ELECTRICAL, ENVIRONMENTAL & DIMENSIONAL INFORMATION SEE DRAWING GL-4522.