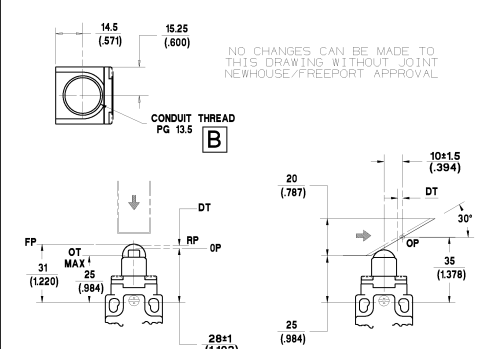
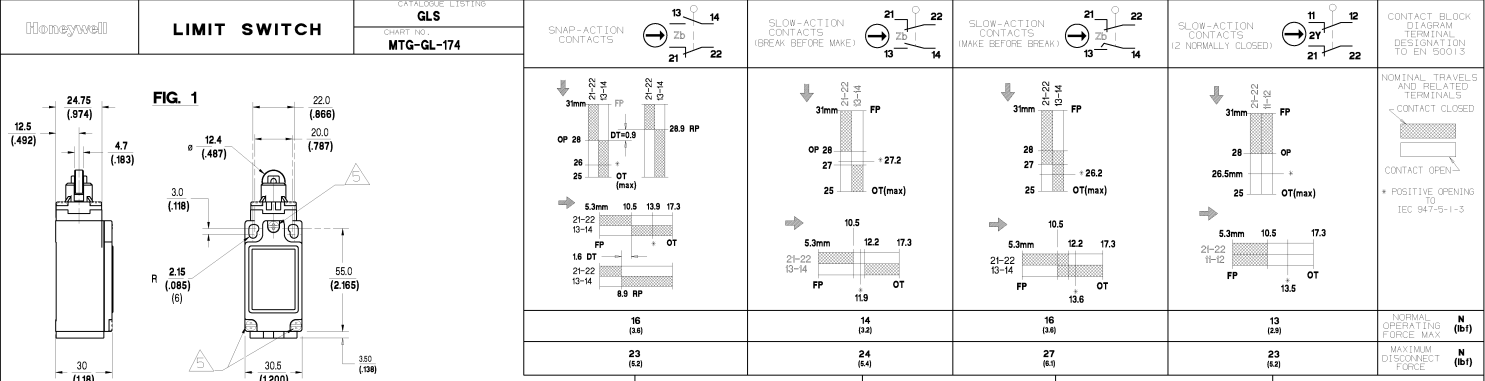


MTG-GL-174

REVISEMENTS

01 2/96
 02 8/96
 03 12/96
 04 10/99
 05 11/99
 06 01/00
 07 09/07
 08 03/06
 09 02/05
 10 01/99

11 01/00
 12 01/00
 13 01/00
 14 01/00
 15 01/00
 16 01/00
 17 01/00
 18 01/00
 19 01/00
 20 01/00
 21 01/00
 22 01/00
 23 01/00
 24 01/00
 25 01/00
 26 01/00
 27 01/00
 28 01/00
 29 01/00
 30 01/00
 31 01/00
 32 01/00
 33 01/00
 34 01/00
 35 01/00
 36 01/00
 37 01/00
 38 01/00
 39 01/00
 40 01/00
 41 01/00
 42 01/00
 43 01/00
 44 01/00
 45 01/00
 46 01/00
 47 01/00
 48 01/00
 49 01/00
 50 01/00
 51 01/00
 52 01/00
 53 01/00
 54 01/00
 55 01/00
 56 01/00
 57 01/00
 58 01/00
 59 01/00
 60 01/00
 61 01/00
 62 01/00
 63 01/00
 64 01/00
 65 01/00
 66 01/00
 67 01/00
 68 01/00
 69 01/00
 70 01/00
 71 01/00
 72 01/00
 73 01/00
 74 01/00
 75 01/00
 76 01/00
 77 01/00
 78 01/00
 79 01/00
 80 01/00
 81 01/00
 82 01/00
 83 01/00
 84 01/00
 85 01/00
 86 01/00
 87 01/00
 88 01/00
 89 01/00
 90 01/00
 91 01/00
 92 01/00
 93 01/00
 94 01/00
 95 01/00
 96 01/00
 97 01/00
 98 01/00
 99 01/00
 100 01/00

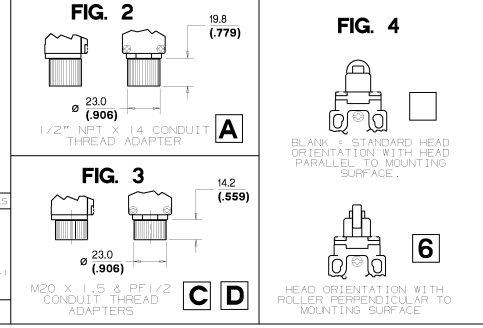
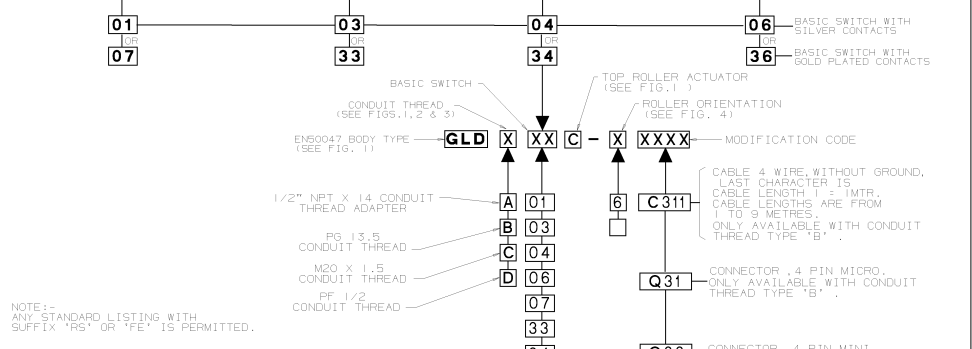
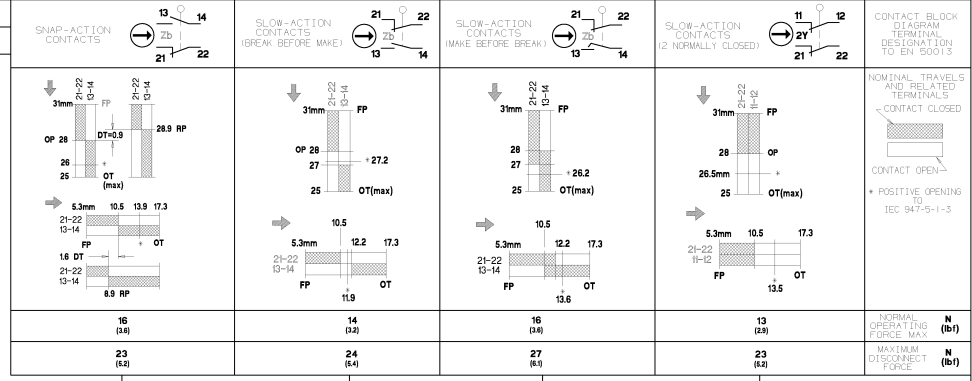


NOTES:-

- MICRO SWITCH BLUE GLASS FILLED POLYESTER HOUSING & COVER, BLACK GLASS FILLED POLYAMIDE HEAD.
- ENCLOSURE DOUBLE INSULATED TO IEC 539 CLASS II.
- MINIMUM OPERATING VELOCITY (V_{min}) : 1.0 MM/S (THESE LIMITS APPLY TO CAM OPERATION AS SHOWN IN THE MAXIMUM OPERATING VELOCITY (V_{max}) : 100 MM/S ABOVE DIAGRAMS ONLY)
- MAXIMUM OPERATING FREQUENCY (f_{max}) : 250 OPS/MIN
- FREE POSITION (FP), OPERATING POINT (OP), OVERTRAVEL (OT) AND PRETRAVEL (PT) AL TO EN50047.
- MAXIMUM TIGHTENING TORQUE FOR FIXING SCREW : 0.5Nm (4.4in.LB)

IEC 947-5-1 ELECTRICAL RATING				ENVIRONMENTAL		APPROVALS
SILVER CONTACTS		GOLD PLATED CONTACTS				
AC	DC	AC	DC			
1000V AC 15A	1000V AC 15A	1000V AC 15A	1000V DC 1.5A	IP66 NEMA 1, 4, 12, 13		UL ULC IEC 947-5-1 EN50047
120V AC 5A	120V AC 5A	120V AC 5A	120V DC 0.25A	TEMP RANGE : -25°C TO 95°C STORAGE : -40°C TO 165°F TEMP RANGE : -40°C TO 95°C STORAGE : -40°F TO 165°F		
120V AC 5A	120V AC 5A	120V AC 5A	120V DC 0.25A	SHOCK : 50G PER IEC 68-2-27 VIBRATION : 10G PER IEC 68-2-6		

SCALE 1:1 DIMENSIONS ARE IN MM/INCHES.



NOTE:
FOR CONNECTION DIAGRAMS AND ADDITIONAL ELECTRICAL, ENVIRONMENTAL & DIMENSIONAL INFORMATION SEE DRAWING GL-4322.