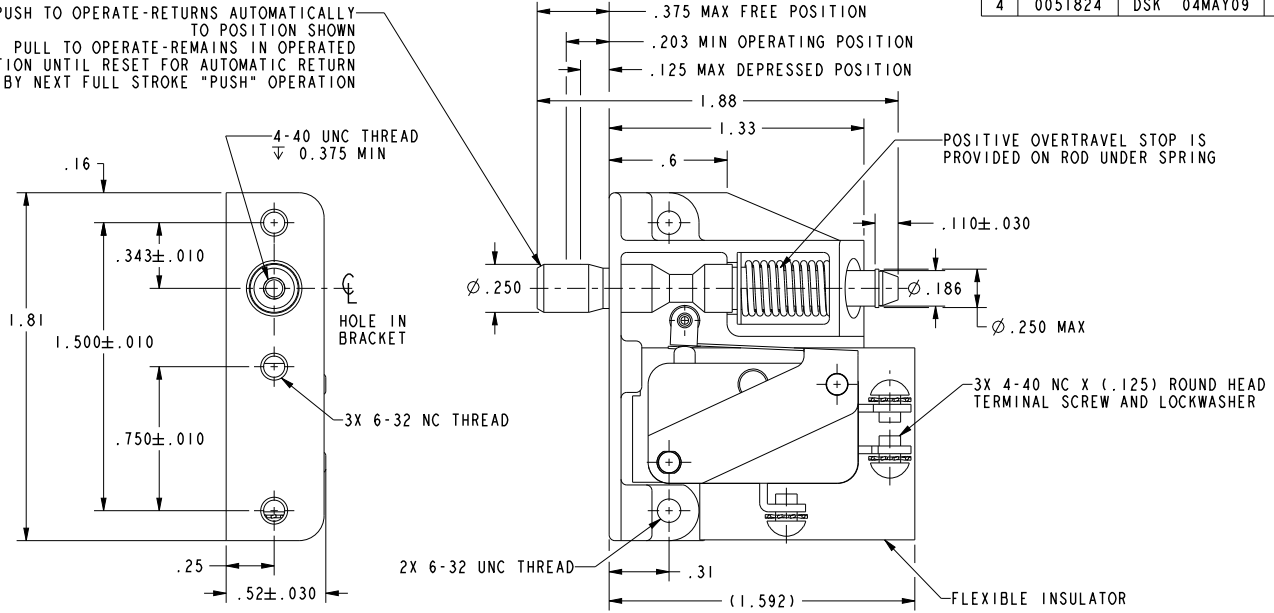


|                          |
|--------------------------|
| HONEYWELL<br>PART NUMBER |
| 23AC2                    |
| PRODUCT CODE             |
| KC-R0030                 |

| REV | DOCUMENT | CHANGED BY  | CHECK |
|-----|----------|-------------|-------|
| 4   | 0051824  | DSK 04MAY09 | CMH   |

PUSH TO OPERATE-RETURNS AUTOMATICALLY TO POSITION SHOWN  
 PULL TO OPERATE-REMAINS IN OPERATED POSITION UNTIL RESET FOR AUTOMATIC RETURN BY NEXT FULL STROKE "PUSH" OPERATION



- NOTES:-
- UNIT INCLUDES CATALOG LISTING V3-13 BASIC SWITCH (1)
  - NOTCH IN ACTUATOR ROD WILL PERMIT .035 DISPLACEMENT BETWEEN END OF ROD AND HOLE IN BRACKET
  - BASIC SWITCH PLASTIC PARTS ARE MADE OF MINERAL FILLED PHENOLICS
  - ACTUATOR ROD MADE OF HIGH STRENGTH PLASTIC

RELEASE NO. SR 8861

| CHARACTERISTICS  | ELECTRICAL DATA  | DESIGN UNITS: INCH<br>TOLERANCES UNLESS NOTED: | DRAWN<br>MBF<br>23MAR60  | CHECK<br>GCH<br>04APR60 | Honeywell                       |                  |                       |                              |
|--|--|--|--|-------------------------|---------------------------------|------------------|-----------------------|------------------------------|
| TOTAL TRAVEL<br>.250 APPROX PUSH DIRECTION<br>.187 APPROX PULL DIRECTION | CONTACT ARRANGEMENT<br>S P D T                             | BREAK DISTANCE<br>.040 APPROX                  | THIS DRAWING COVERS A PROPRIETARY ITEM AND IS THE PROPERTY OF HONEYWELL. THIS DRAWING IS NOT TO BE COPIED OR USED WITHOUT THE PERMISSION OF HONEYWELL.<br><br>INTERPRET PER ASME Y14.5M-1994 OTHER HONEYWELL ENGINEERING STANDARDS MAY APPLY |                         | TITLE<br><b>ASSEMBLY-SWITCH</b> |                  |                       |                              |
| FULLY DEPRESSED FORCE 4 LB MAX   | 15 A-1/3 HP-125 OR 250 VAC<br>1/2 A-125 VDC; 1/4 A-250 VDC |  |  |                         | SIZE<br><b>B</b>                | TYPE<br><b>I</b> | CAGE CODE<br><b>-</b> | DRAWING NAME<br><b>23AC2</b> |
| THIRD ANGLE PROJECTION   |  |  | Pro/ENGINEER 3D  |                         | SCALE 2:1                       |                  | SHEET 1 OF 1          |                              |