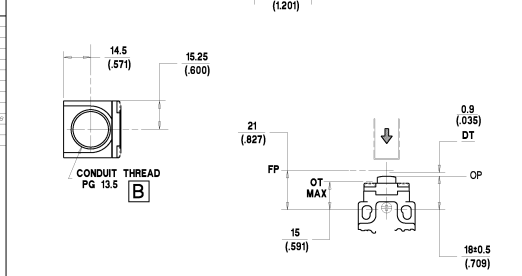
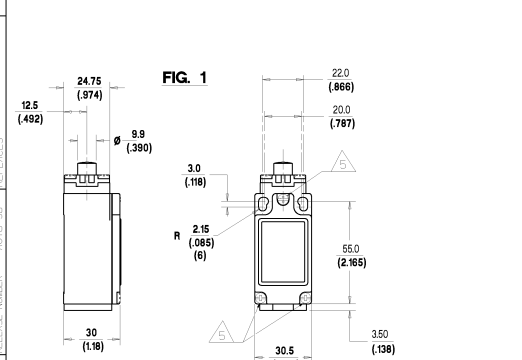


MTG-GL-173
 REVISIONS
 10 PM 03/95
 001916

Honeywell	LIMIT SWITCH	CATALOGUE LISTING
		GLS CHART NO: MTG-GL-173



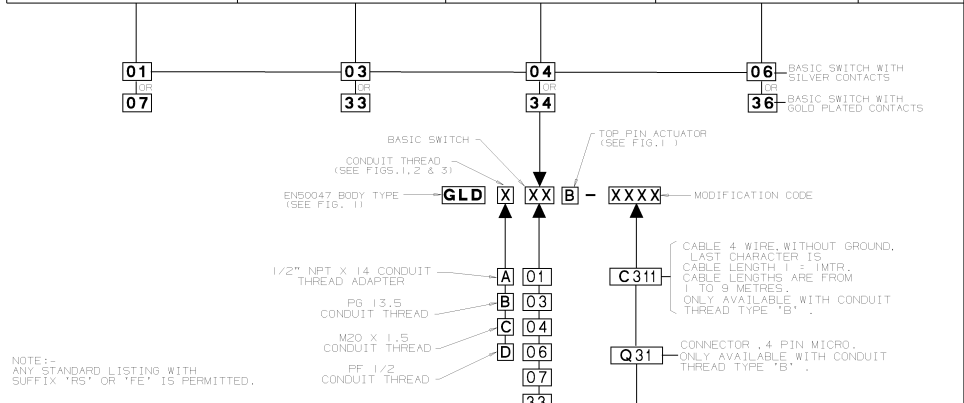
NOTES:-

- MICRO SWITCH BLUE GLASS FILLED POLYESTER HOUSING & COVER. BLACK GLASS FILLED POLYIMIDE HEAD.
- ENCLOSURE DOUBLE INSULATED TO IEC 539 CLASS II.
- MINIMUM OPERATING VELOCITY (V_{min}) = 1.0 MM/S. (THESE LIMITS APPLY TO CAM OPERATION AS SHOWN IN THE MAXIMUM OPERATING VELOCITY (V_{max}) = 100 MM/S ABOVE DIAGRAMS ONLY.)
MAXIMUM OPERATING FREQUENCY (F_{max}) = 250 OPS/MIN.
- FREE POSITION (FP), OPERATING POINT (OP), OVERTRAVEL (OT) AND PRETRAVEL (PT) ALL TO EN50047.

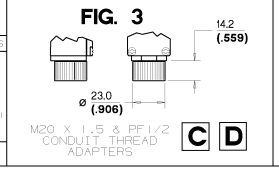
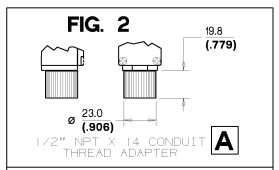
△ MAXIMUM TIGHTENING TORQUE FOR FIXING SCREW = 0.5Nm (4.4in.-LB)

NO CHANGES CAN BE MADE TO THIS DRAWING WITHOUT JOINT NEWHOUSE/PREFPOT APPROVAL

<p>SNAP-ACTION CONTACTS</p>	<p>SLOW-ACTION CONTACTS (BREAK BEFORE MAKE)</p>	<p>SLOW-ACTION CONTACTS (MAKE BEFORE BREAK)</p>	<p>SLOW-ACTION CONTACTS (2 NORMALLY CLOSED)</p>	<p>CONTACT BLOCK DIAGRAM TERMINAL DESIGNATION TO EN 50013</p>
				<p>NOMINAL TRAVELS AND RELATED TERMINALS</p> <p>CONTACT CLOSED</p> <p>CONTACT OPEN</p> <p>MAXIMUM DISCONNECT FORCE IEC 947-5-1-3</p> <p>NORMAL OPERATING FORCE MAX N (bf)</p> <p>MAXIMUM DISCONNECT FORCE N (bf)</p>



NOTE:- ANY STANDARD LISTING WITH SUFFIX 'RS' OR 'FE' IS PERMITTED.



NOTE: FOR CONNECTION DIAGRAMS AND ADDITIONAL ELECTRICAL, ENVIRONMENTAL & DIMENSIONAL INFORMATION SEE DRAWING GL-3322.

IEC 947-5-1 ELECTRICAL RATINGS				ENVIRONMENTAL	APPROVALS
SILVER CONTACTS		GOLD PLATED CONTACTS			
A1	A2 FOR 2NO	DC		IP66 NEMA 1, 4, 12, 13	UL IEC 947-5-1 EN50047
AC 50/50 Hz	AC 50/50 Hz	2500 DC 1A			
Volts/Amps	Volts/Amps	Volts/Amps	I _{th} 10A	TEMP RANGE: -25°C TO 85°C	SCALE: DIMENSIONS ARE IN MM/INCHES.
120 V / 5 A	240 V / 5 A	250 V / 0.25 A	I _{th} 10A MIN.	STORAGE: -40°C TO 85°C	
250 V / 1.5 A	500 V / 1.5 A	500 V / 0.25 A	50V 100mA MAX.	+40°F TO 185°F	
500 V / 1.2 A	500 V / 1.2 A			SHOCK: 50G PER IEC 68-2-27 VIBRATION: 10G PER IEC 68-2-61	

REV	DATE	DESCRIPTION
1	10/95	INITIAL RELEASE
2	11/95	REVISION 1

MTG-GL-173
 REVISIONS
 10 PM 03/95
 001916