

MICRO SWITCH

FREEMONT ILLINOIS, U.S.A
A DIVISION OF HONEYWELL

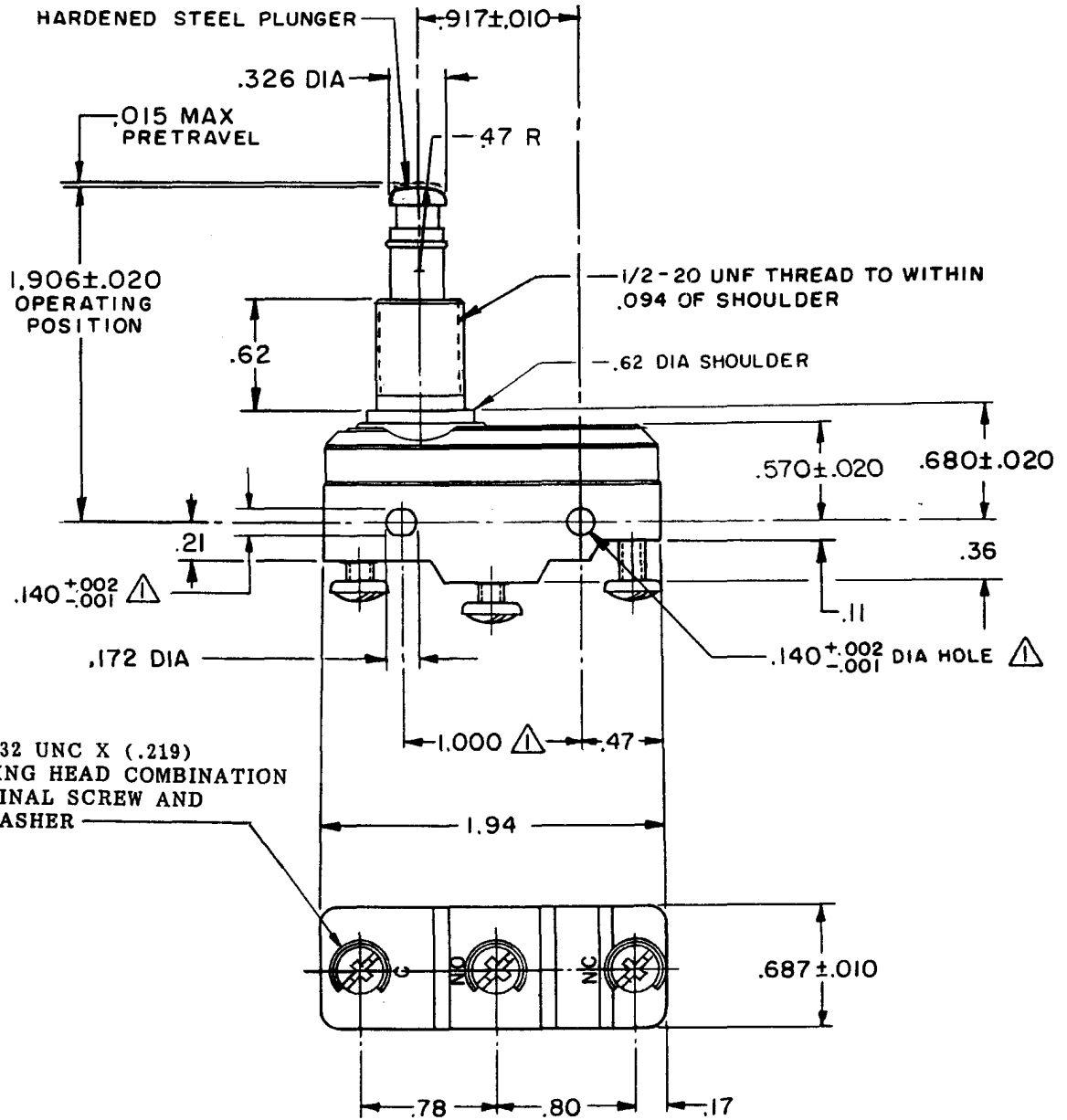
FED. MFG. CODE 91929

SWITCH - BASIC

CATALOG LISTING

BZ-2RN770

AKS7600 & JG07952



3X 6-32 UNC X (.219)
BINDING HEAD COMBINATION
TERMINAL SCREW AND
CUPWASHER

NOTE
▲ - MOUNTING HOLES WILL ACCEPT PINS OR SCREWS
OF .139 MAX DIA ON 1.000 ± .002 CENTERS

THIS DRAWING COVERS A PROPRIETARY ITEM AND IS THE PROPERTY OF MICRO SWITCH, A DIVISION OF HONEYWELL. THIS DRAWING IS NOT TO BE COPIED OR USED WITHOUT THE APPROVAL OF MICRO SWITCH.

CHARACTERISTICS	ELECTRICAL DATA	SCALE FULL
OPERATING FORCE ----- 9-13 OZ	CONTACT ARRANGEMENT S P D T	DO NOT SCALE PRINT
RELEASE FORCE ----- 4 OZ MIN	15A-125, 250 OR 480 VAC, 2A-600 VAC 1/8HP-125 VAC; 1/4HP-250 VAC CODE L74 1/2A-125 VDC; 1/4A-250 VDC	UNLESS OTHERWISE NOTED DIMENSIONS ARE IN INCHES TOLERANCES ARE:
DIFFERENTIAL TRAVEL --- .0004-.0020	L288	ONE PLACE (.0) ± .030 TWO PLACE (.00) ± .015 THREE PLACE (.000) ± .005 ANGLES
OVERTRAVEL ----- .219 MIN	L315 L306 16A 250V ~ T85 5E4	WEIGHT

BZ-2RN770
 PAGE 1 OF 1
M
 DRAWING NUMBER
 ISSUE 9
 18 FEB 06
 RELEASE NO. PR-1249
 REPLACES X43454-BZ
 CHECK 18 FEB 06
 CHECK 17 JUN 74
 CHECK 9 MAY 75
 CHECK 14 JAN 76
 CHECK 3 JUN 77
 CHECK 22 NOV 93
 CHECK 15 AUG 94
 CHECK 1 SEP 98
 CHECK 18 FEB 06
 FORMTEK
 0-50378-1A
 DRAWN
 MBS 6 JAN 70
 DAW