

FORMTEK

DRAWN

R. E. R 5 NOV 58

CHECK

CSL 11 SEP 96

J CO-82803-B

R E R 19 JUN 68

H CO2376

ORD 27 FEB 68

G CH 24 NOV 58

L S D 12 SEP 61

F CO16231

G CO23756

L S D 24 AUG 61

E CO15981

O M W 2 FEB 60

D CORR

M B F 18 SEP 59

C CO14049

R E R 15 MAY 59

B CO13528

R E R 13 MAR 59

A CORR

REVISIONS

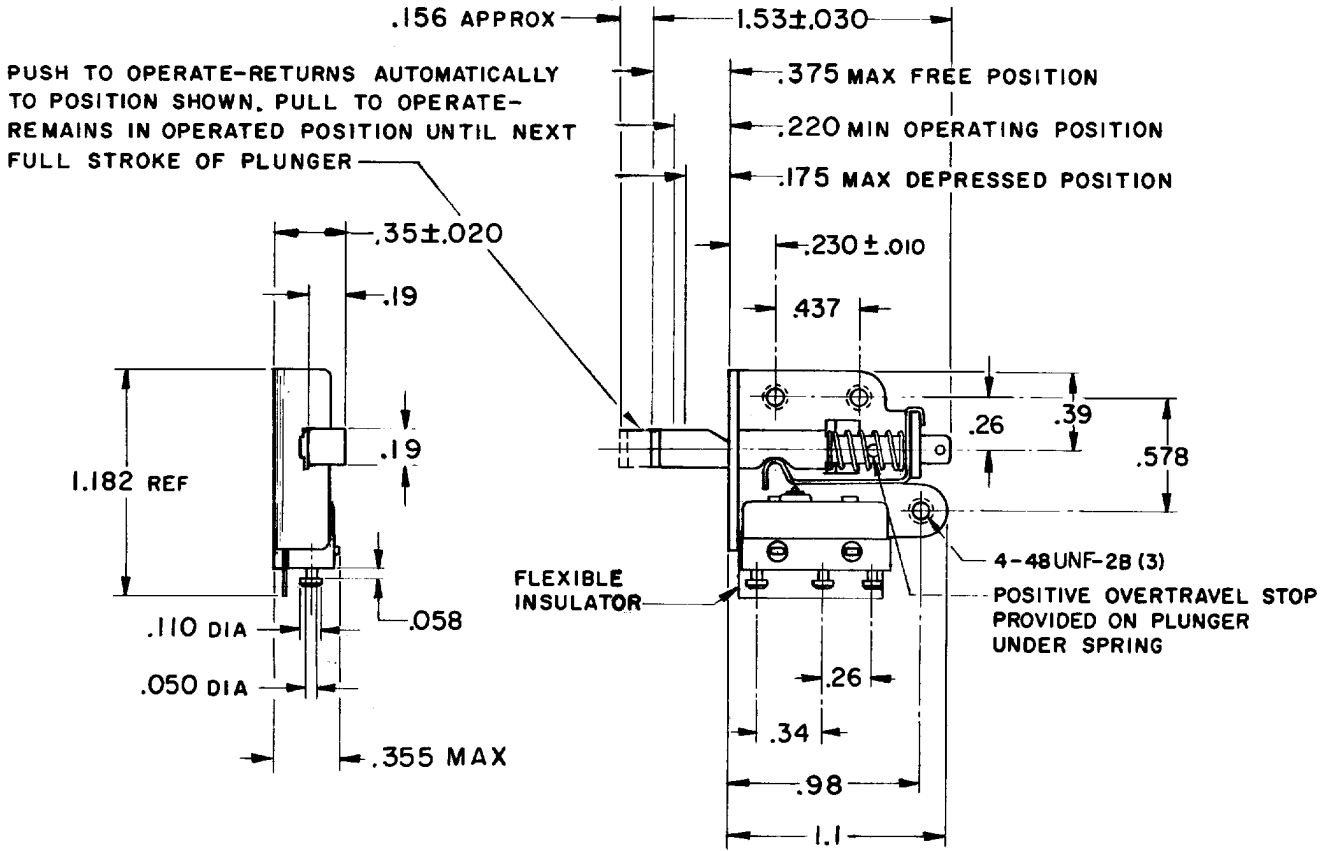
ISSUE 10

DRAWING NUMBER

M 17ACI-T

RELEASE NO. SR 7894

REPLACES



NOTE -
 1- UNIT INCLUDES CAT. LIST. IISMI -T BASIC SWITCH (1)
 2-NOTCH IN ACTUATOR PLUNGER WILL PERMIT .045 MAX DISPLACEMENT BETWEEN END OF PLUNGER AND HOLE IN BRACKET

THIS DRAWING COVERS A PROPRIETARY ITEM AND IS THE PROPERTY OF MICRO SWITCH, A DIVISION OF MINNEAPOLIS-HONEYWELL REGULATOR CO. THIS DRAWING IS NOT TO BE COPIED OR USED WITHOUT THE APPROVAL OF MICRO SWITCH.

CHARACTERISTICS	ELECTRICAL DATA	SCALE FULL
TOTAL TRAVEL © .156 APPROX PUSH DIRECTION .156 APPROX PULL DIRECTION FULL OVERTRAVEL FORCE -- 2 LBS APPROX	CONTACT ARRANGEMENT S P D T 250 VAC ----- 5 AMPS 30 VOLTS DC RATING INDUCTIVE ----- SEA LEVEL ----- 3 AMPS 50,000 FT. ----- 2.5 AMPS RESISTIVE ----- SEA LEVEL ----- 5 AMPS 50,000 FT. ----- 5 AMPS MAXIMUM INRUSH ----- 24 AMPS	DO NOT SCALE PRINT UNLESS OTHERWISE SPECIFIED DIMENSIONS ARE IN INCHES TOLERANCES ARE: ONE PLACE (.0) ±.030 TWO PLACE (.00) ±.015 THREE PLACE (.000) ±.005 ANGLES ± WEIGHT .02 LBS APPROX