

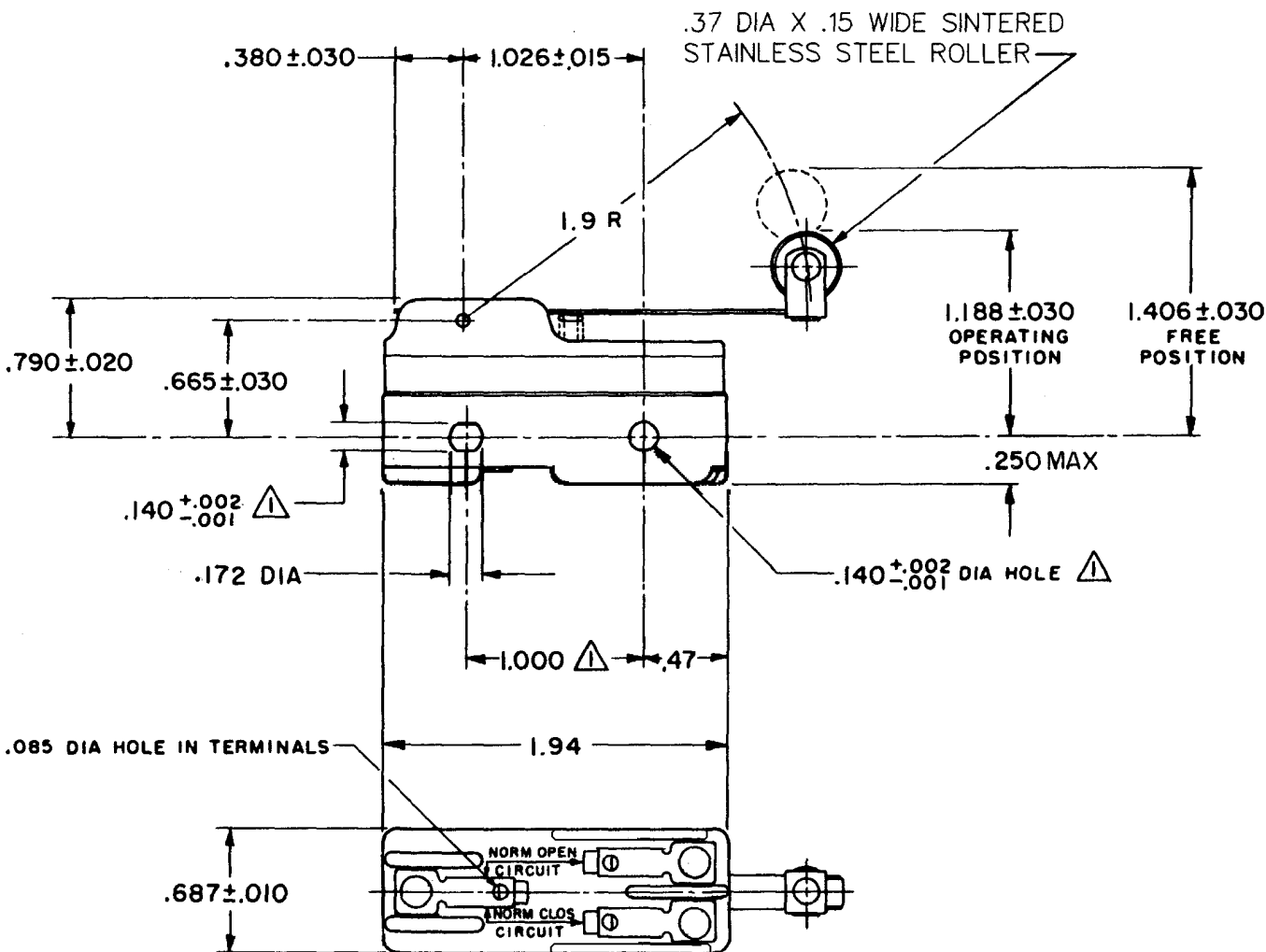
# MICRO SWITCH

A DIVISION OF MINNEAPOLIS-HONEYWELL REGULATOR COMPANY  
MILWAUKEE, WISCONSIN

FED. MFR. CODE 91929

# SWITCH - BASIC

CATALOG LISTING  
**BZ-2RW82**



**NOTE**  
 MOUNTING HOLES WILL ACCEPT PINS OR SCREWS OF  $.139$  MAX DIA ON  $1.000 \pm .002$  CENTERS

THIS DRAWING COVERS A PROPRIETARY ITEM AND IS THE PROPERTY OF MICRO SWITCH, A DIVISION OF MINNEAPOLIS-HONEYWELL REGULATOR CO. THIS DRAWING IS NOT TO BE COPIED OR USED WITHOUT THE APPROVAL OF MICRO SWITCH.

CHARACTERISTICS	ELECTRICAL DATA	SCALE FULL
OPERATING FORCE ----- 3 1/2 OZ MAX	CONTACT ARRANGEMENT S P D T	DO NOT SCALE PRINT
RELEASE FORCE ----- 3/4 OZ MIN	UNDERWRITERS' LAB. INC. LISTED RATING	UNLESS OTHERWISE SPECIFIED DIMENSIONS ARE IN INCHES
DIFFERENTIAL TRAVEL ----- .004 - .040	-L96- 15A-125, 250, OR 480 VAC	<b>TOLERANCES ARE:</b>
OVERTRAVEL ----- .156 MIN	1/2 A-125 VDC; 1/4 A-250 VDC	ONE PLACE (.0) $\pm .030$
	1/8 HP-125 VAC; 1/4 HP-250 VAC	TWO PLACE (.00) $\pm .015$
	-L288-	THREE PLACE (.000) $\pm .005$
	-L299- 16A 250V $\sim$ T85 5E4	ANGLES $\pm$
	-L306-	WEIGHT .063 LB

**DRAWING NUMBER**  
**BZ-2RW82**  
 PAGE 1 OF 1  
**ISSUE**  
**10**  
**REVISIONS**  

A	CO-18736	GCH	13 MAR 62
B	CO34306	DJW	17 JUL 73
C	CO46304	JAP	13 OCT 79
D	CO-58037	SMA	1 OCT 85
E	CO-75204B	KDR	1 FEB 94
F	CO-78874	DLT	18 NOV 94
G	CO93346	DLT	11 SEP 98
H	CO-94212-J	JJA	5 OCT 99