

# MICRO SWITCH

A DIVISION OF MINNEAPOLIS-HONEYWELL REGULATOR COMPANY  
PROSPER, ILLINOIS

FED. MFR. CODE 91929

# SWITCH - BASIC

CATALOG LISTING

**BZ - 2RW822**

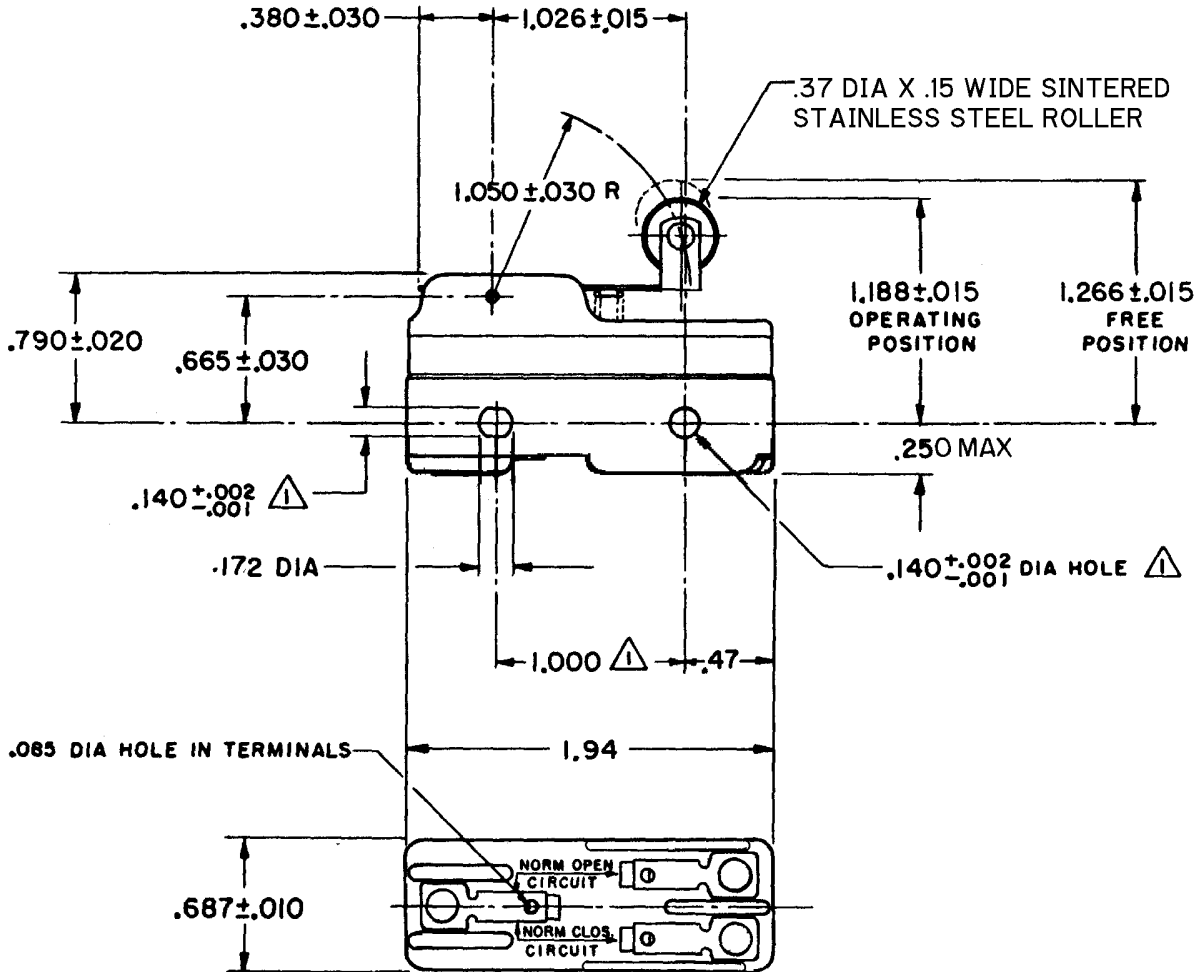
APF1000

DRAWING NUMBER  
**BZ-2RW822**  
PAGE 1 OF 1

ISSUE  
**M**  
17

REVISIONS

L	0018449	TGP	18 FEB 06
B	CO 34306	GLH	8 JUL 75
C	CO46304	R J H	21 NOV 79
D	CO 52446	WJM	31 JAN 83
E	CO 58037	SMA	1 OCT 85
F	CO 70184-H	G R T	2 JUN 92
G	CO-75204B	DAW	1 FEB 94
H	CO-78874	DLT	18 NOV 94
J	CO93346	DLT	2 SEP 98
K	CO 94212-J	J J A	5 OCT 99



NOTE  
 MOUNTING HOLES WILL ACCEPT PINS OR SCREWS OF .139 MAX DIA ON 1.000 ± .002 CENTERS.

THIS DRAWING COVERS A PROPRIETARY ITEM AND IS THE PROPERTY OF MICRO SWITCH, A DIVISION OF MINNEAPOLIS-HONEYWELL REGULATOR CO. THIS DRAWING IS NOT TO BE COPIED OR USED WITHOUT THE APPROVAL OF MICRO SWITCH.

CHARACTERISTICS		ELECTRICAL DATA		SCALE FULL
OPERATING FORCE	----- 6 OZ MAX	CONTACT ARRANGEMENT		DO NOT SCALE PRINT
RELEASE FORCE	----- 1 1/2 OZ MIN	S P D T		UNLESS OTHERWISE SPECIFIED DIMENSIONS ARE IN INCHES
DIFFERENTIAL TRAVEL	----- .003-.020	-L74-	15A-125, 250, OR 480 VAC, 2A-600 VAC 1/2 A-125 VDC; 1/4 A-250 VDC 1/8 HP-125 VAC; 1/4 HP-250 VAC	<b>TOLERANCES ARE:</b>
OVERTRAVEL	----- .094 MIN	-L288-		ONE PLACE (.0) ±.030
		-L306-	16A 250V ~ T85 5E4	TWO PLACE (.00) ±.015
		-L315-		THREE PLACE (.000) ±.005
				ANGLES ±
				WEIGHT .063 LB

FORMTEK

FO-80378

DRAWN 30 MAR 62

GCH