



MICRO SWITCH
FREEPORT, ILLINOIS, U.S.A.
A DIVISION OF HONEYWELL

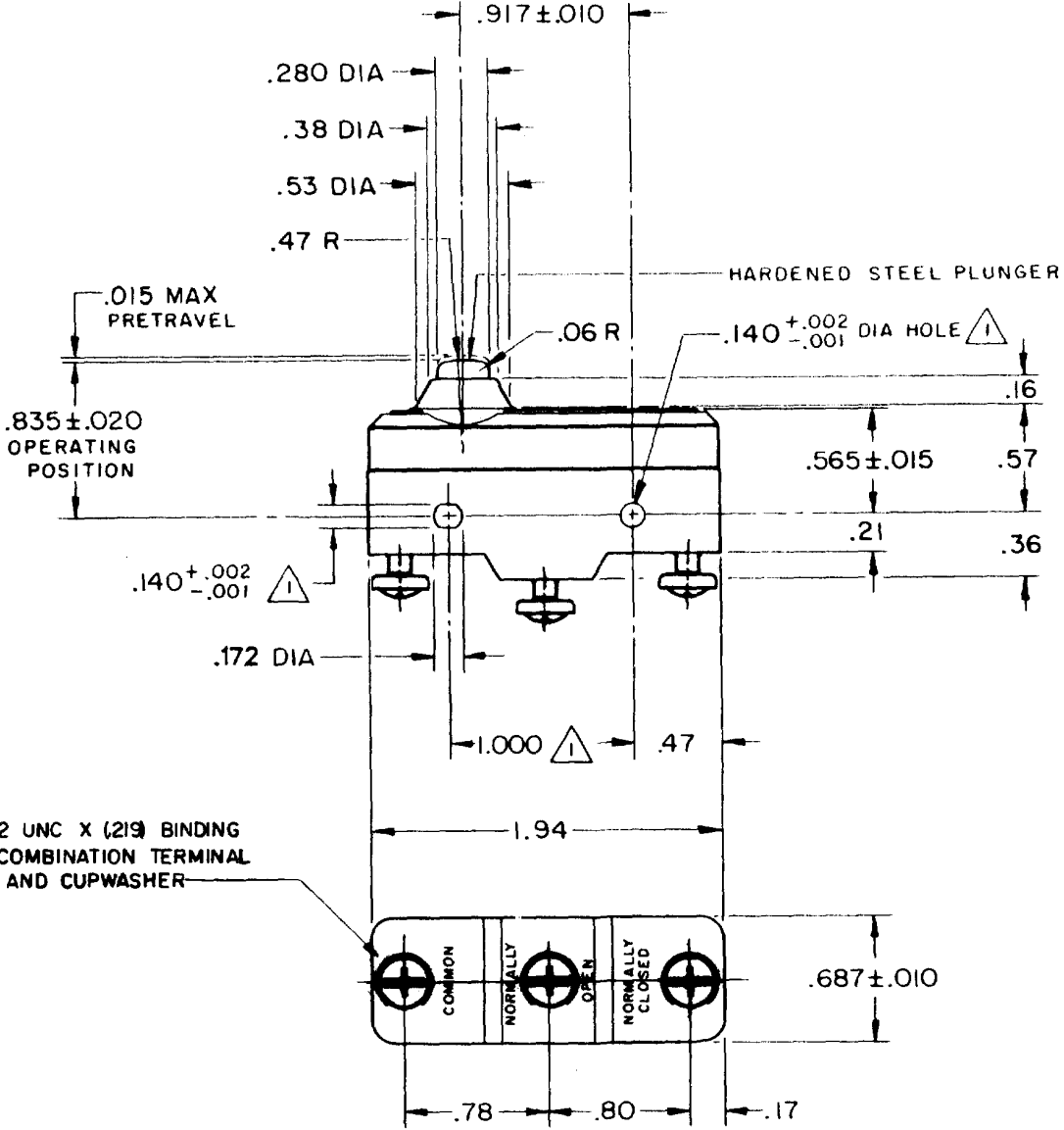
FED. MFG. CODE 91929

SWITCH - BASIC

CATALOG LISTING

BZ-2RD-A2

AHD1000



NOTE
MOUNTING HOLES WILL ACCEPT PINS OR SCREWS
OF .139 MAX DIA ON 1.000±.002 CENTERS

THIS DRAWING COVERS A PROPRIETARY ITEM AND IS THE PROPERTY OF MICRO SWITCH, A DIVISION OF MINNEAPOLIS-HONEYWELL REGULATOR CO. THIS DRAWING IS NOT TO BE COPIED OR USED WITHOUT THE APPROVAL OF MICRO SWITCH.

CHARACTERISTICS

OPERATING FORCE ----- 9-13 OZ
RELEASE FORCE ----- 4 OZ MIN
DIFFERENTIAL TRAVEL ----- .0004-.0020
OVERTRAVEL ----- .060 MIN

ELECTRICAL DATA

CONTACT ARRANGEMENT
S P D T
L96
15A 125, 250 OR 480 VAC
1/8HP 125 VAC, 1/4HP 250 VAC
1/2A 125 VDC, 1/4A 250 VDC
-L288- CE EN05
-L306- EC
-L315- 16A 250V T85 5E4

SCALE FULL

DO NOT SCALE PRINT

UNLESS OTHERWISE NOTED
DIMENSIONS ARE IN INCHES
TOLERANCES ARE:
ONE PLACE (.0) ±.030
TWO PLACE (.00) ±.015
THREE PLACE (.000) ±.005
ANGLES ±.005

WEIGHT .064 LB

BZ-2RD-A2
PAGE 1 OF 1

M

DRAWING NUMBER

7

ISSUE

REVISIONS

A	CO17410	8 CH	15 MAY 63
B	CO-73287-B	D H D	17 MAY 93
C	CO-77589	K D R	29 MAR 94
D	CO93346	DLT	8 SEP 98
E	0015139	TSG	23 AUG 05

REPLACES
RELEASE NO.
CHECK
23 AUG 05
RJ
17 JUN 63
L.S.D
CHECK
15 MAY 63

FORMTEK
FO-30378

DRAWN