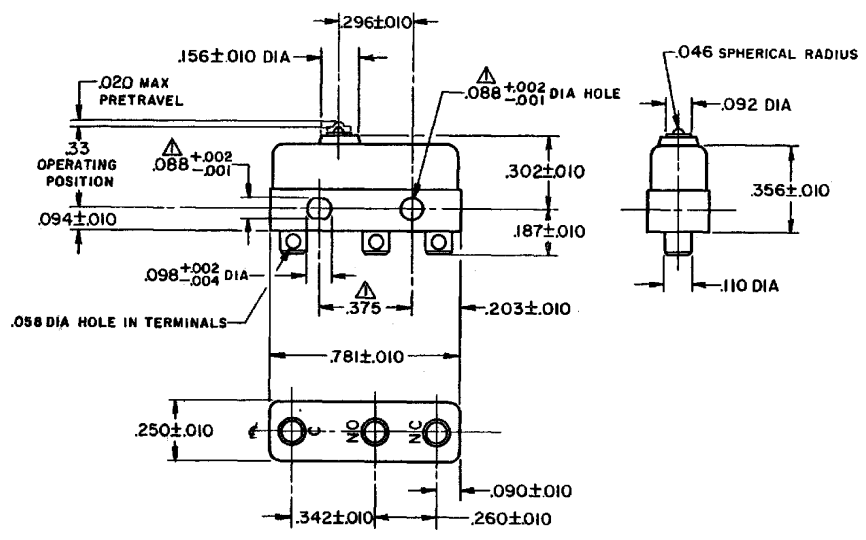


FO-55111-A

HONEYWELL PART NUMBER
11SM1
PRODUCT CODE
TWT0100
JG-80176

REV	DOCUMENT	CHANGED BY	CHECK
11	0038090	VS 28APR08	BLR

PLASTIC PLUNGER



**NOTE -**  
 ▲-MOUNTING HOLES WILL ACCEPT PINS OR SCREWS  
 OF .087 MAX DIA ON .375±.002 CENTERS  
 2-TERMINALS ARE PLATED FOR SOLDERING

RELEASE NO.	-
REPLACES	-

CHARACTERISTICS
OPERATING FORCE - - - - 3 - 5 OZ
RELEASE FORCE - - - - - 1 OZ MIN
DIFFERENTIAL TRAVEL - - - .004 MAX
OVERTRAVEL - - - - - .005 MIN

ELECTRICAL DATA
CONTACT ARRANGEMENT S P D T
30 VOLTS DC RATING
SEA LEVEL 50,000 FT
INDUCTIVE 3 AMP 2.5 AMP
RESISTIVE 5 AMP 5 AMP
MAXIMUM INRUSH 24 AMP
APPROVALS KEMA CE 5A, 250V ~ T85 1E4 UL CSA 5A, 250 VAC ~

DESIGN UNITS: INCH
TOLERANCES UNLESS NOTED:
NO PLACE .X ±
ONE PLACE .X ±
TWO PLACE .XX ±
THREE PLACE .XXX ±
FOUR PLACE .XXXX ±
ANGLES ±
THIRD ANGLE PROJECTION

DRAWN	VK	29 NOV 07
CHECK	RJ	29 NOV 07
THIS DRAWING COVERS A PROPRIETARY ITEM AND IS THE PROPERTY OF HONEYWELL. THIS DRAWING IS NOT TO BE COPIED OR USED WITHOUT THE PERMISSION OF HONEYWELL.		
INTERPRET PER ANSI Y14.5M-1982 OTHER HONEYWELL ENGINEERING STANDARDS MAY APPLY		
RASTER		

<b>Honeywell</b>			
TITLE SWITCH - BASIC			
SIZE	TYPE	DRAWING NAME	REV
B	I	11SM1	11
SCALE	-	WEIGHT .006 LB MAX	SHEET 1 OF 1

4

3

2

1