

MICRO SWITCH

FREERPORT ILLINOIS, U.S.A.
A DIVISION OF HONEYWELL

FED. MFG. CODE 91929

SWITCH - BASIC

CATALOG LISTING

V3-1113

CK-M1350

S

V3-1113

M

DRAWING NUMBER

X

X

ISSUE

4

REPLACES X61345-V3

RELEASE NO. PR-4024

CHECK

REVISIONS

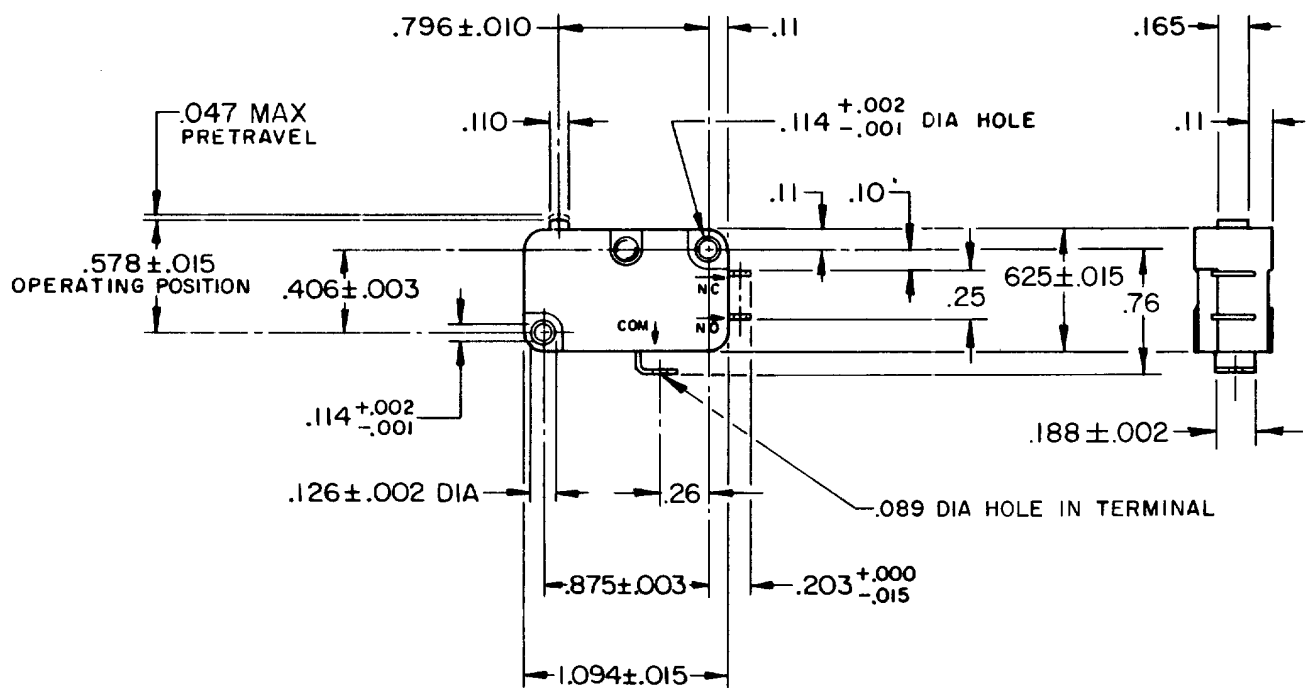
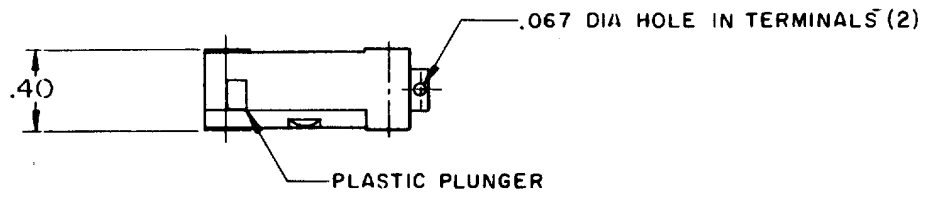
A	C039182	C E B	10 FEB 78
B	C074635	K D R	10 MAY 93
C	77796	D C S	24 MAR 94

CHECK 74 MAR 74

CHECK L S D 21 MAR 74

D B W 20 MAR 74

FO-52848 DRAWN



NOTE -
1 - TERMINALS ARE PLATED FOR SOLDERING

THIS DRAWING COVERS A PROPRIETARY ITEM AND IS THE PROPERTY OF MICRO SWITCH, A DIVISION OF HONEYWELL. THIS DRAWING IS NOT TO BE COPIED OR USED WITHOUT THE APPROVAL OF MICRO SWITCH.

CHARACTERISTICS	ELECTRICAL DATA	SCALE FULL
OPERATING FORCE — — — 75 GRAMS MAX	CONTACT ARRANGEMENT S P D T	DO NOT SCALE PRINT
RELEASE TRAVEL — — — .010 MIN	L112 10A 1/3HP 125 OR 250 VAC 1/2A 125 VDC, 1/4A 250 VDC 4A 125 VAC "L"	UNLESS OTHERWISE NOTED
RELEASE FORCE — — — 10 GRAMS MIN		DIMENSIONS ARE IN INCHES
		TOLERANCES ARE
DIFFERENTIAL TRAVEL — — — .002-.010		ONE PLACE (.01) ± .030
OVERTRAVEL — — — .050 MIN		TWO PLACE (.00) ± .015
FREE POSITION — — — .625 MAX	THREE PLACE (.000) ± .005	
	ANGLES ±	
	WEIGHT	

