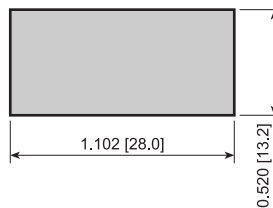


PP1 Series



Suggested Panel Cutout



FEATURES:

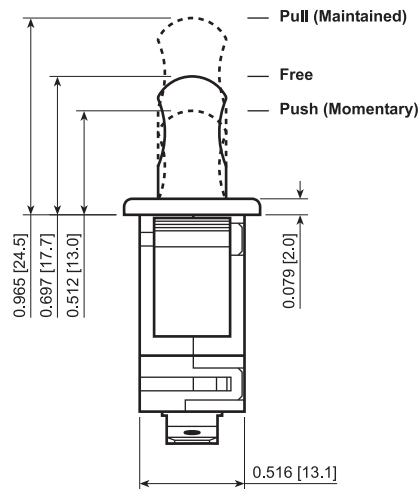
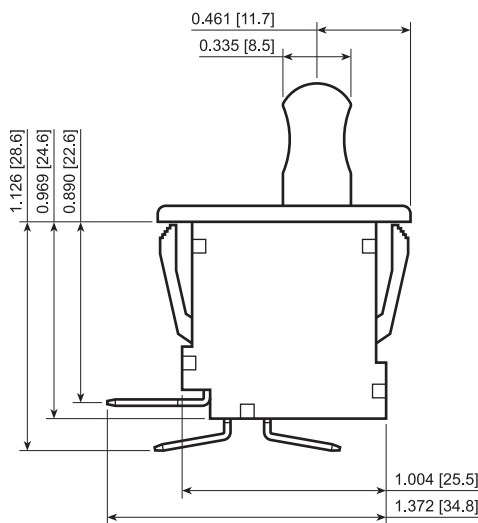
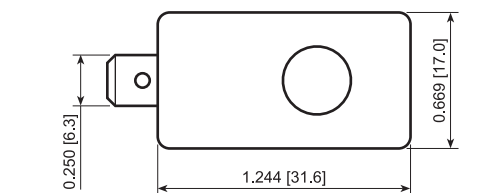
- Push and Pull Function
- Various Terminal Options
- High Ratings with UL approvals

SPECIFICATIONS:

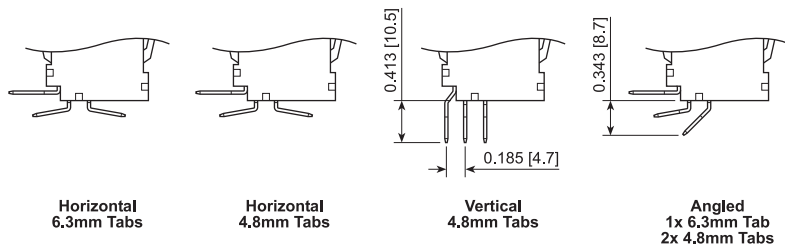
ELECTRICAL RATING: 16A 125VAC [cURus]
12A 250VAC [cURus]
1hp 125/250VAC [cURus]
TEMPERATURE: 0°C to 85°C [cURus]
ELECTRICAL LIFE: 6,000 Cycles [cURus]
CONTACT RESISTANCE: 50mΩ Max.

MATERIALS:

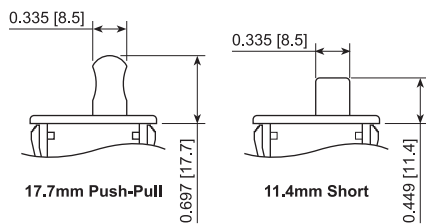
Body: Polyamide 6/6
ACTUATOR: Polyamide 6/6
CONTACTS: Silver Alloy
TERMINALS: Silver Plated Brass



Terminal Options



Actuator Options



PP1-ET7-2B2

Series	Terminal Type	Function	Rating	Body Color	Actuator Height	Actuator Color
PP1	1 - 4.8mm Tabs, Vertical D - 4.8mm Tabs, Horizontal E - 6.3mm Tabs, Horizontal F - 1x6.3mm, 2x4.8mm Tabs, Angled	B - On-(On) T - On ₁ -On ₁ -(On ₂)	7 - 16A 125VAC 12A 250VAC 1HP 125/250VAC	1 - Black 2 - White	B - 17.7mm Push-Pull (*) D - 11.4mm Short (**)	2 - White

Note:
* = Actuator B available with terminals 1, D, and E.
** = Actuator D available with terminals E and F, and function B only.



Ph: 503-297-8878 • Fax: 503-297-8879

30

P.O. Box 25110 • Portland, OR 97298 USA • www.lambind.com

EXAMPLE PART NUMBERS:

PP1-ET7-2B2 1P On₁-On₁-(On₂)
6.3mm Tabs, 17.7mm Push-Pull Actuator

SPECIFICATIONS SUBJECT TO CHANGE WITHOUT NOTICE