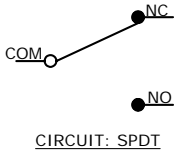
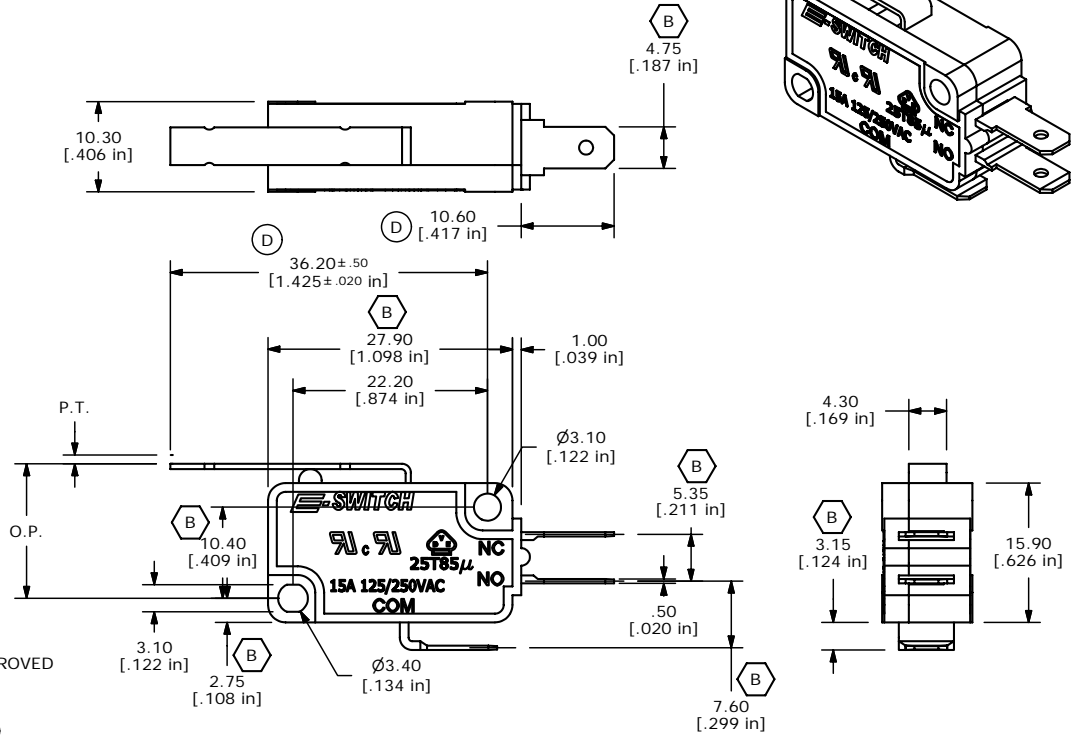


B	O.P. (MM)	P.T. (MM)
	15.5 ± 0.8	4.1 MAX.

O.P. = OPERATING POINT
P.T. = PRE-TRAVEL



- NOTES:
1. ALL DIMENSIONS IN MM [INCH]
 2. GENERAL TOLERANCE: X.X=±0.4
X.XX=±0.25
 3. RATING: 15A @125/250VAC UL, CUL, VDE APPROVED
 - ▲ 4. OPERATING FORCE: 75±25 GRAMS
 5. OPERATING TEMP: -25°C TO 85°C
 6. ELECTRICAL LIFE: 50,000 CYCLES MIN.
 7. MECHANICAL LIFE: 1,000,000 CYCLES TYP. (D)
 8. INSULATION RESISTANCE: 100 MEGA-OHMS MIN.
 9. DIELECTRIC STRENGTH: 1500VAC 1 MINUTE (INITIAL VALUE)
 10. CONTACT RESISTANCE: 100 MILLI -OHMS MAX.
 11. ▲ DENOTES CRITICAL PARAMETER
 12. 2002/95/EC (ROHS) COMPLIANT (D)



D	15603	CHANGES NOTED	12/13/05	PH
C	15058	CORRECTED DIMENSION AND NOTE 4	7/5/05	JB
B	14890	CHANGED DIMMENSIONS AND NOTES	5/2/05	JB
A	14712	RELEASED FOR PRODUCTION	3/9/05	AR
REV	PCR NO	DESCRIPTION	DATE	BY

E-SWITCH®

TITLE LS0851502F075C1A

SCALE 1.5:1	DATE 2/25/2005	DR AR	DWG Q950004	REV D
-------------	----------------	-------	-------------	-------

THE INFORMATION CONTAINED IN THIS DOCUMENT IS PROPRIETARY TO E-SWITCH AND IS NOT TO BE COPIED OR TRANSFERRED