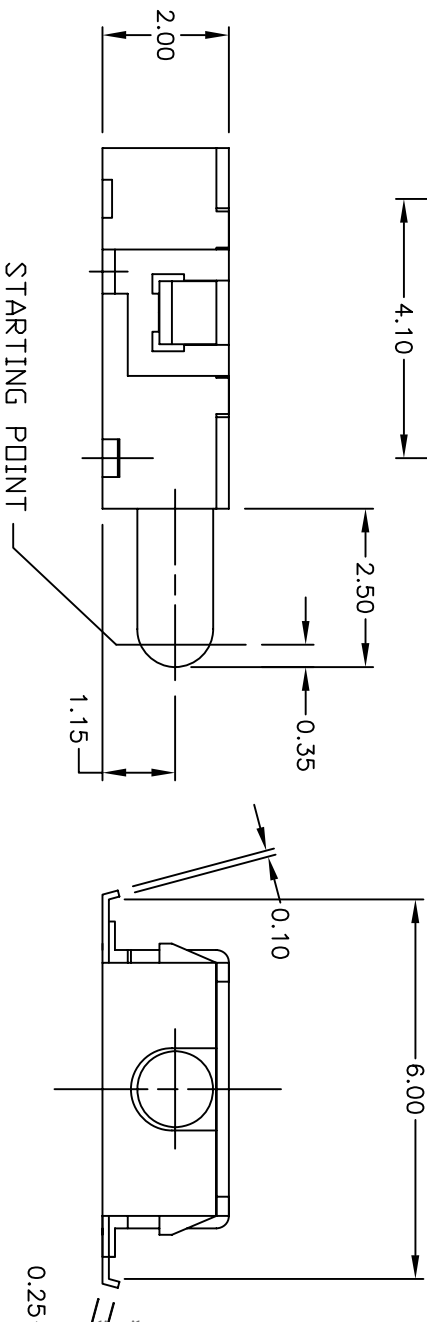
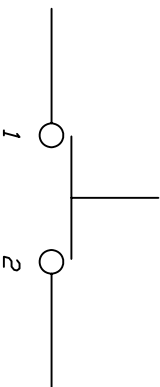
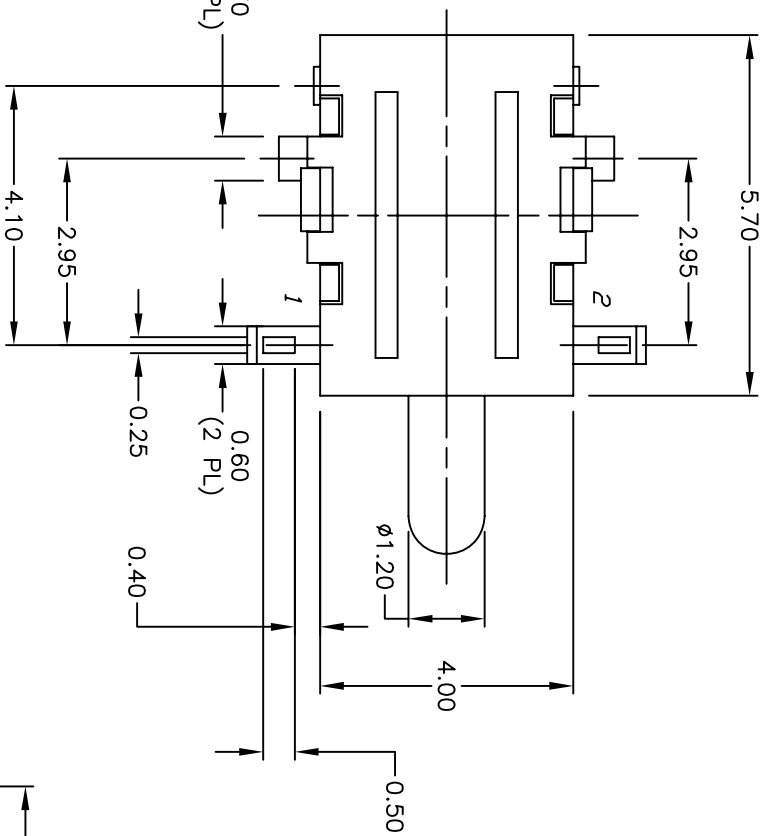


RECOMMENDED P.C.B. LAND
AS VIEW FROM TOP



1. ALL DIMENSIONS IN MM
2. GENERAL TOLERANCE: X.X=±0.4
X.XX=±0.25
3. TERM. NOS. FOR REFERENCE ONLY.
4. ELECTRICAL RATING:
12V DC, 100mA (Resistive Load)
5. ELECTRICAL LIFE:
50,000 Cycles
6. OPERATING FORCE: 50gf max.
7. TRAVEL: 2.0mm max.
8. PACKAGING: TAPE AND REEL, 1900 PIECES PER REEL.

G	15120	REVISED TERMINAL SHAPE	7/28/05	RC
F	12884	ADD DIMENSION	3/5/03	CJB
E	12708	ADD TOP VIEW, REV SCH.	1/9/03	CJB
D	12139	REVISED AND REDRAWN	5/10/02	CJB
REV.	ECN No.	DESCRIPTION	DATE	CHKD

THE INFORMATION CONTAINED IN THIS DOCUMENT IS PROPRIETARY TO E-SWITCH AND IS NOT TO BE COPIED OR TRANSFERRED				
TITLE		SCALE	DATE	DR
E-SWITCH®		8:1	5/10/02	CJB
900 AG Q		DWG	P010900	REV
				G

TITLE		SCALE	DATE	DR	DWG	REV
E-SWITCH®		8:1	5/10/02	CJB	P010900	G
900 AG Q						