

# MICRO SWITCH

A DIVISION OF MINNEAPOLIS-HONEYWELL REGULATOR COMPANY  
 PRINCETON, ILLINOIS  
 FED. MFR. CODE 91929

## SWITCH - BASIC

CATALOG LISTING

### MT-4RV22-A28

CATALOG LISTING

MT-4RV22-A28  
 PAGE 1 OF 1

DRAWING NUMBER

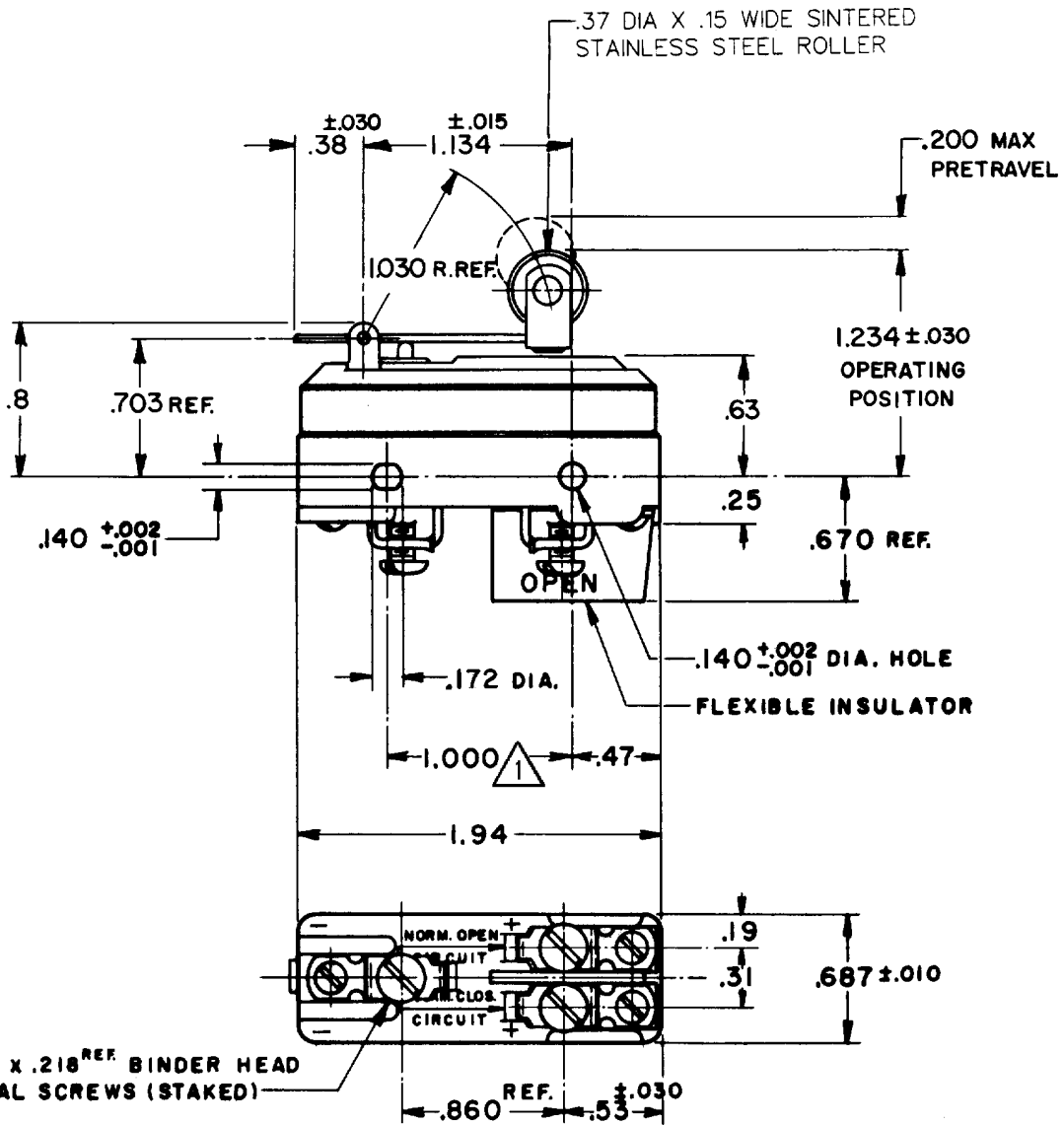
11

ISSUE

REVISIONS

A	C.O. 9799	C.M.A. 11 AUG. 55
B	C.O. 11613	N.H.L. 1 AUG. '57
C	CO12369	K.L.B. 11 DEC. 57
D	CO13960	MBF 23 OCT 59
E	CO35255	D.B.W. 12 MAY 75
F	CO46819	W.J.M. 25 NOV 79
G	CO-75204-B	S.A.V. 1 FEB 94
H	CO-95987	C.S.L. 22 FEB 00

FORMTEK  
 DRAWN  
 C.M.A. 11 AUG. 55



- NOTES**
- 1 MOUNTING HOLES WILL ACCEPT PINS OR SCREWS OF .139 MAX. DIA. ON 1.000 ± .002 CENTERS.
  - 2 - FOR BEST RESULTS EITHER POLARIZE THE SWITCH WITH COMMON TERMINAL BEING OF NEGATIVE POLARITY OF MOUNT THE SWITCH WITH BRASS SCREWS AND SPACE AT LEAST .250 MAGNETIC MATERIALS.

THIS DRAWING COVERS A PROPRIETARY ITEM AND IS THE PROPERTY OF MICRO SWITCH, A DIVISION OF HONEYWELL. THIS DRAWING IS NOT TO BE COPIED OR USED WITHOUT THE APPROVAL OF MICRO SWITCH.

**CHARACTERISTICS**

OPERATING FORCE ----- 4 1/2 OZ. MAX.  
 RELEASE FORCE ----- 1 OZ. MIN.  
 DIFFERENTIAL TRAVEL ----- .035 MAX.  
 OVERTRAVEL ----- .015 MIN.

**ELECTRICAL DATA**

CONTACT ARRANGEMENT S. P. D. T.			
NON-POLARIZED	VOLTS D-C 125 250	MOTOR 1/4 HP + —	RESISTIVE 10 AMPS 1.5 TO 3.0*
POLARIZED OR NON-MAGNETICALLY MOUNTED	VOLTS D-C 125 250	MOTOR 1/2 HP + —	RESISTIVE 10 AMPS 1.5 TO 3.0*
* NOT SUITABLE FOR USE AT LESS THAN 1.5 AMPS + WILL NOT BREAK LOCKED ROTOR CURRENT			

**SCALE FULL**

DO NOT SCALE PRINT

UNLESS OTHERWISE SPECIFIED DIMENSIONS ARE IN INCHES

**TOLERANCES ARE:**

ONE PLACE (.0)	± .030
TWO PLACE (.00)	± .015
THREE PLACE (.000)	± .005
ANGLES	±

WEIGHT

UND. LAB. INC. LISTED RATING (NON-POLARIZED)  
 - 125 - 10 A - 125 VDC OR AC; 1/4 HP - 125 VDC OR AC

