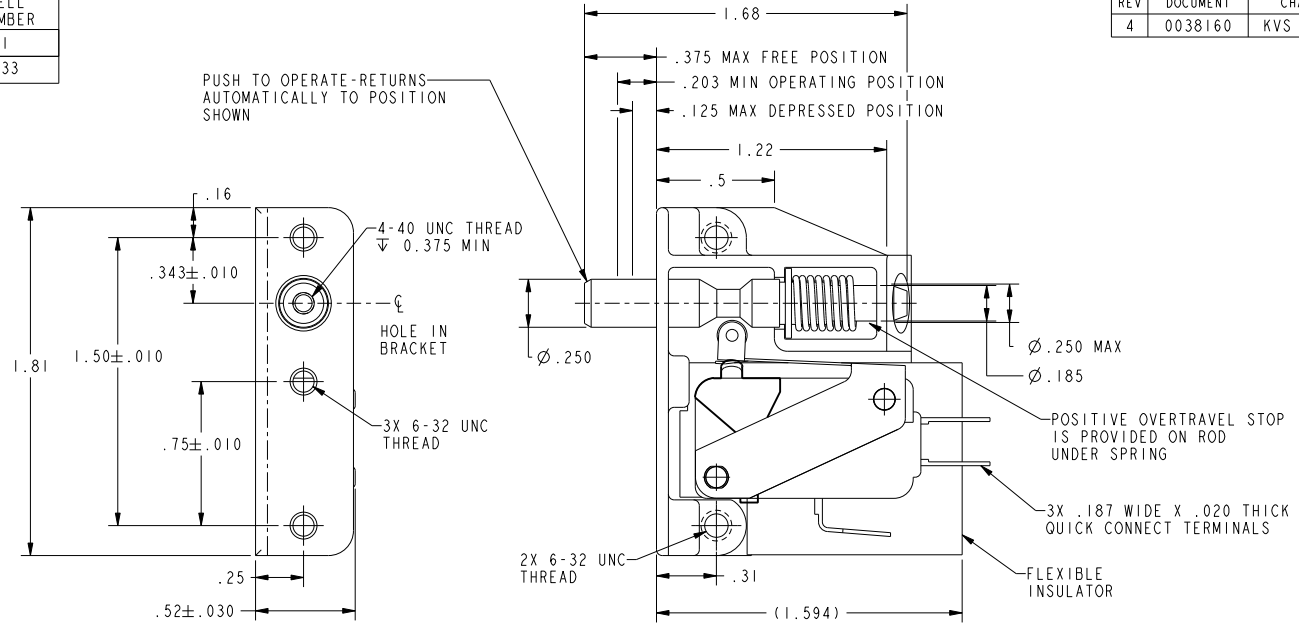


FO-55111-B

HONEYWELL  
PART NUMBER  
23AC81  
KC-R1633

REV	DOCUMENT	CHANGED BY	CHECK
4	0038160	KVS 24APR08	ASD



- NOTES
1. UNIT INCLUDES CATALOG LISTING "V7-6A17D8-S" BASIC SWITCH
  2. BASIC SWITCH PLASTIC PARTS ARE MADE OF GLASS FILLED PCT AND TEFLON FILLED PHENOLIC
  3. ACTUATOR ROD MADE OF HIGH STRENGTH PLASTIC
  4. NOTCH IN ACTUATOR ROD WILL PERMIT .035 DISPLACEMENT BETWEEN END OF ROD AND HOLE IN BRACKET

CHARACTERISTICS		ELECTRICAL DATA		DESIGN UNITS: INCH TOLERANCES UNLESS NOTED:		DRAWN BS 19MAR08		<b>Honeywell</b>	
TOTAL TRAVEL: .250 APPROX PUSH DIRECTION		CONTACT ARRANGEMENT S P D T		NO PLACES .x ± 0.030		CHECK ASD 19MAR08			
FULLY DEPRESSED FORCE-- 4 LBS MAX		5A 125, 250, 277 VAC 1/10HP 250 VAC		ONE PLACE .x ± 0.015		THIS DRAWING COVERS A PROPRIETARY ITEM AND IS THE PROPERTY OF HONEYWELL. THIS DRAWING IS NOT TO BE COPIED OR USED WITHOUT THE PERMISSION OF HONEYWELL.		TITLE	
				TWO PLACE .xx ± 0.005				ASSEMBLY-SWITCH	
				THREE PLACE .xxx ±		INTERPRET PER ASME Y14.5M-1994 OTHER HONEYWELL ENGINEERING STANDARDS MAY APPLY		DRAWING NAME	
				ANGLES .x ±		Pro/ENGINEER 3D		23AC81	
				THIRD ANGLE PROJECTION				REV 4	
								SCALE 2:1	
								SHEET 1 OF 1	