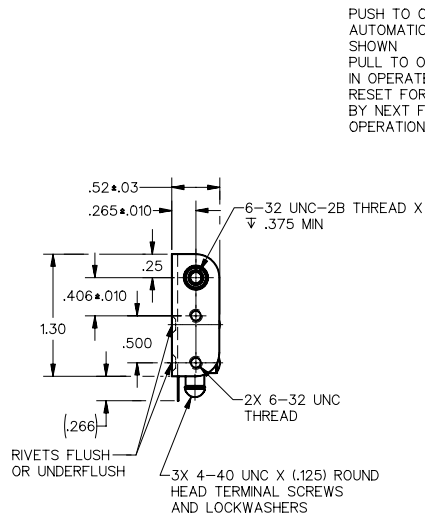


DDM/CAD DRAWN K D R 7 SEP 96 CHECK
 REVISIONS
 A 13 SEP 96
 M ISSUE 5
 2AC59 CATALOG LISTING
 PAGE 1 OF 1
 RELEASE NO. PR-152
 REFRADES

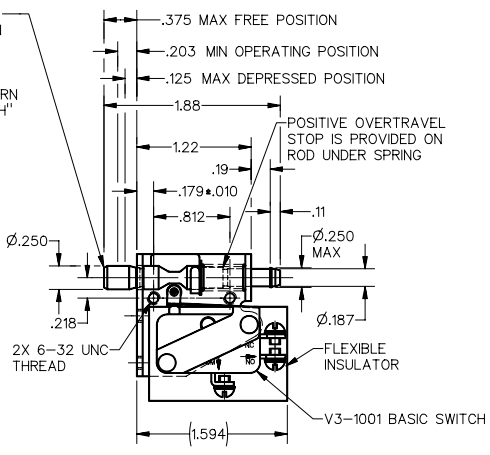
MICRO SWITCH
a Honeywell Division
FED. MFG. CODE 91924

ASSEMBLY-SWITCH

CATALOG LISTING
2AC59
KC-B0590
MILITARY STDS PART NO
MS 16106-1



PUSH TO OPERATE—RETURNS AUTOMATICALLY TO POSITION SHOWN
 PULL TO OPERATE—REMAINS IN OPERATED POSITION UNTIL RESET FOR AUTOMATIC RETURN BY NEXT FULL STROKE "PUSH" OPERATION



- NOTES**
- 1 - NOTCH IN ACTUATOR ROD WILL PERMIT .035 DISPLACEMENT BETWEEN END OF ROD AND HOLE IN BRACKET
 - 2 - BASIC SWITCH PLASTIC PARTS ARE MADE OF DIALLYL PHTHALATE
 - 3 - WITH ROD IN EITHER ACTUATED POSITION, BASIC SWITCH PLUNGER MUST HAVE .010 MIN OVERTRAVEL AND WITH ROD IN FREE POSITION BASIC SWITCH PLUNGER MUST HAVE .005 MIN RELEASE TRAVEL

THIS DRAWING COVERS A PROPRIETARY ITEM AND IS THE PROPERTY OF MICRO SWITCH, A DIVISION OF HONEYWELL. THIS DRAWING IS NOT TO BE COPIED OR USED WITHOUT THE APPROVAL OF MICRO SWITCH		THIRD ANGLE PROJECTION
CHARACTERISTICS		SCALE FULL
TOTAL TRAVEL .250 APPROX PUSH DIRECTION .187 APPROX PULL DIRECTION FULLY DEPRESSED FORCE—4 LB MAX		DO NOT SCALE PRINT
ELECTRICAL DATA		UNLESS OTHERWISE SPECIFIED TOLERANCES ARE
CONTACT ARRANGEMENT S P D T		ONE PLACE (.0) ±.030
		TWO PLACE (.00) ±.015
		THREE PLACE (.000) ±.005
		ANGLES ±
		WEIGHT

ANSI Y14.5M-1982 APPLIES