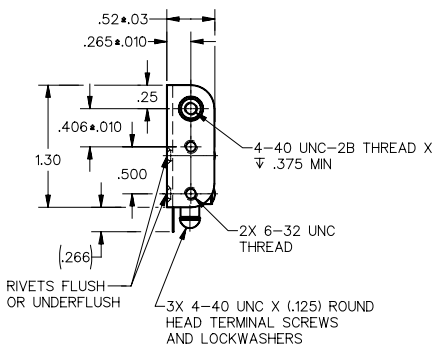


CATALOG LISTING 22AC2  
 ISSUE 4  
 PAGE 1 OF 1  
 RELEASE NO. SR-8863  
 REPLACES  
 CHECK  
 REVISIONS  
 A 10/67  
 B 1/68  
 C 4/68  
 DDM/CAD  
 DRAWN  
 K D R 4 OCT 98  
 CHECK

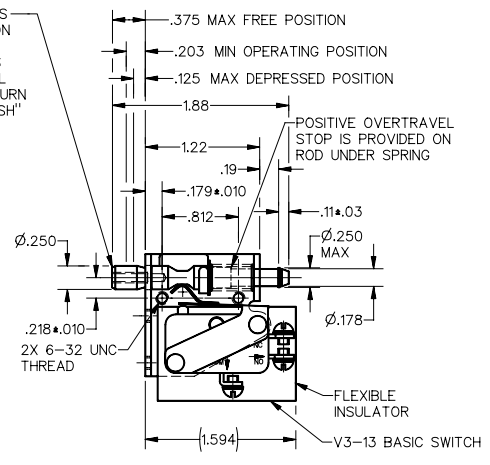
**MICRO SWITCH**  
 a Honeywell Division  
 FED. MFG. CODE 91924

**ASSEMBLY-SWITCH**

CATALOG LISTING  
**22AC2**  
 KC-Q0020



PUSH TO OPERATE--RETURNS AUTOMATICALLY TO POSITION SHOWN  
 PULL TO OPERATE--REMAINS IN OPERATED POSITION UNTIL RESET FOR AUTOMATIC RETURN BY NEXT FULL STROKE "PUSH" OPERATION



- NOTES
- 1 - NOTCH IN ACTUATOR ROD WILL PERMIT .035 DISPLACEMENT BETWEEN END OF ROD AND HOLE IN BRACKET
  - 2 - BASIC SWITCH PLASTIC PARTS ARE MADE OF MINERAL FILLED PHENOLICS
  - 3 - ACTUATOR ROD MADE OF HIGH STRENGTH PLASTIC
  - 4 - WITH ROD IN EITHER ACTUATED POSITION, BASIC SWITCH PLUNGER MUST HAVE .015 MIN OVERTRAVEL AND WITH ROD IN FREE POSITION BASIC SWITCH PLUNGER MUST HAVE .005 MIN RELEASE TRAVEL

THIS DRAWING COVERS A PROPRIETARY ITEM AND IS THE PROPERTY OF MICRO SWITCH, A DIVISION OF HONEYWELL. THIS DRAWING IS NOT TO BE COPIED OR USED WITHOUT THE APPROVAL OF MICRO SWITCH		THIRD ANGLE PROJECTION
<b>CHARACTERISTICS</b>		SCALE FULL
TOTAL TRAVEL .250 APPROX PUSH DIRECTION .187 APPROX PULL DIRECTION		DO NOT SCALE PRINT
FULLY DEPRESSED FORCE---4 LBS MAX BREAK DISTANCE----- .040 APPROX		<b>UNLESS OTHERWISE SPECIFIED TOLERANCES ARE</b>
<b>ELECTRICAL DATA</b>		ONE PLACE (.0) ± .030
CONTACT ARRANGEMENT S P D T		TWO PLACE (.00) ± .015
15.1A 1/2HP 125, 250 VAC		THREE PLACE (.000) ± .005
1/2A 125 VDC, 1/4A 250 VDC		ANGLES ±
5A 125 VAC "L"		WEIGHT

ANSI Y14.5M-1982 APPLIES