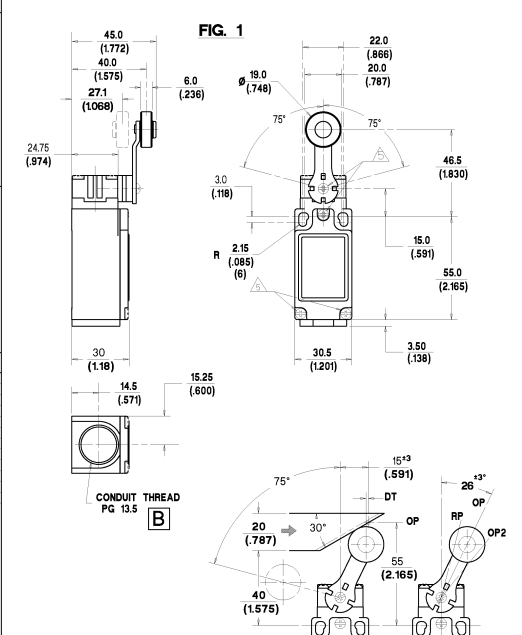


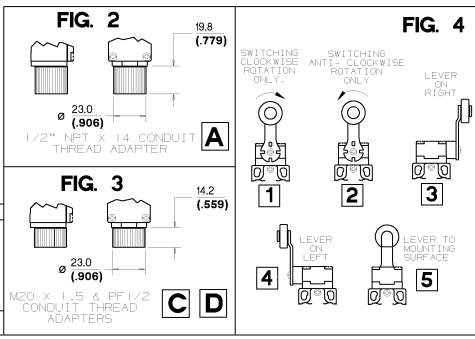
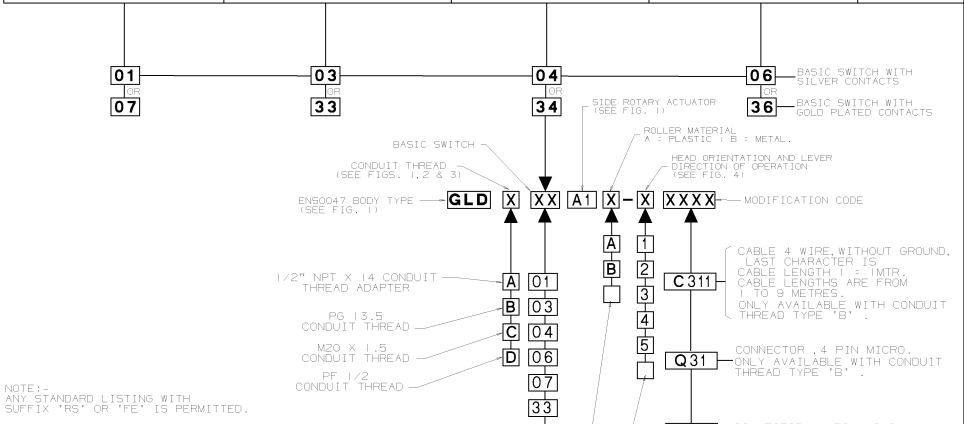
MTG-GL-172
 REVISIONS
 01 11
 RELEASE NUMBER A01D-25

	LIMIT SWITCH	CATALOGUE LISTING GLS					CONTACT BLOCK DIAGRAM TERMINAL DESIGNATION TO EN 50013
		DRAWING NO. MTG-GL-172	SNAP-ACTION CONTACTS	SLOW-ACTION CONTACTS (BREAK BEFORE MAKE)	SLOW-ACTION CONTACTS (MAKE BEFORE BREAK)	SLOW-ACTION CONTACTS (2 NORMALLY CLOSED)	



- NOTES:-**
- MICRO SWITCH BLUE GLASS FILLED POLYESTER HOUSING & COVER, BLACK GLASS FILLED POLYAMIDE HEAD.
 - ENCLOSURE DOUBLE INSULATED TO IEC 539 CLASS 11.
 - MINIMUM OPERATING VELOCITY (V_{min}) = 2.0 MM/S (THESE LIMITS APPLY TO CAM OPERATION AS SHOWN IN THE ABOVE DIAGRAMS ONLY)
 - MAXIMUM OPERATING VELOCITY (V_{max}) = 200 MM/S
 - MAXIMUM OPERATING FREQUENCY (F_{max}) = 250 OPS/MIN
 - FREE POSITION (FP), OPERATING POINT (OP), OVERTRAVEL (OT) AND PRETRAVEL (PT) ALL TO EN50047.
 - MAXIMUM TIGHTENING TORQUE FOR FIXING SCREW = 0.5Nm (4.41 in.lbs)
- NO CHANGES CAN BE MADE TO THIS DRAWING WITHOUT JOINT HEADQUARTERS/APPROVAL

21-22 13-14 FP 15mm DT- 9.8mm OT 53.5 RP=5.2mm	21-22 13-14 FP 15mm OP + 26° OP2- 39° OT = 61° to 75°	21-22 13-14 FP 15mm OP + 26° OP2- 39° OT = 61° to 75°	21-22 11-12 FP 15mm OP + 26° OP2- 39° OT = 61° to 75°
120 (11) 140 (13)	110 (10) 160 (15)	110 (10) 170 (16)	110 (10) 150 (14)



IEC 947-5-1 ELECTRICAL RATINGS					ENVIRONMENTAL	APPROVALS
SILVER CONTACTS		GOLD RELATED CONTACTS		TEMP RANGE : -25°C TO 95°C STORAGE : -15°F TO 165°F SHOCK : 50G PER IEC 68-2-27 VIBRATION : 10G PER IEC 68-2-6		
AC	DC	AC	DC		IP66 NEMA 1, 4, 12, 13	UL IEC 947-5-1 EN50047
10A	10A	10A	10A	10A		

BRAND: M. L. COFF COUNTRY: U.S.A. DESIGN: J. BOYD APPROVED: J. BOYD	DRAWING NO.: MTG-GL-172 SCALE: DIMENSIONS ARE IN MM/INCHES DATE: 1988
--	---

NOTE FOR CONNECTION DIAGRAMS AND ADDITIONAL ELECTRICAL, ENVIRONMENTAL & DIMENSIONAL INFORMATION SEE DRAWING GL-4902.