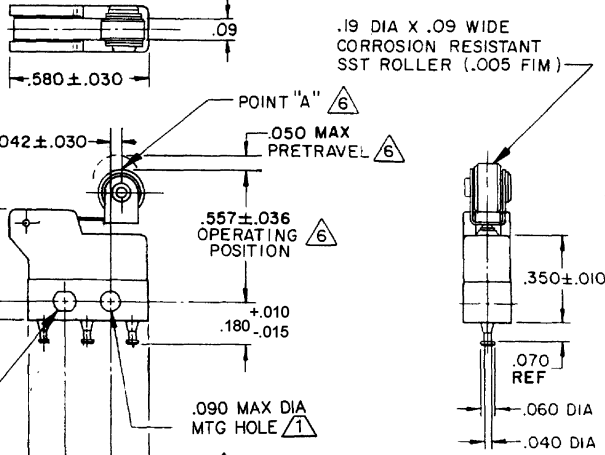


FO-55111-A

HONEYWELL
PART NUMBER
313SX30-T
PRODUCT CODE
VDT0273

REV	DOCUMENT	CHANGED BY	CHECK
8	0060324	VKR 13JAN10	CMH



- NOTES
- 1 MOUNTING HOLES WILL ACCEPT PINS OR SCREWS OF .087 MAX DIA ON .188 ± .002 CENTERS
 - 2 - TERMINALS ARE SOLDER DIPPED WITH ROHS-COMPLIANT TIN/COPPER/SILVER SOLDER.
 - 3 - SWITCH WILL WITHSTAND TEMPERATURE OF 250°F
 - 4 - MOVABLE CONTACT MATERIAL - 24K GOLD OVERLAY
 - 5 - STATIONARY CONTACT MATERIAL - GOLD ALLOY
 - 6 CHARACTERISTICS ARE TAKEN AT POINT "A"

RELEASE NO. PR-16995-T
REPLACES X89561-SX

CHARACTERISTICS
OPERATING FORCE 68 GRAMS MAX
RELEASE FORCE 11 GRAMS MIN
DIFFERENTIAL TRAVEL015 MAX
OVERTRAVEL010 MIN

ELECTRICAL DATA	
CONTACT ARRANGEMENT S P D T	
30 VOLTS DC RATING	
INDUCTIVE	SEA LEVEL 50,000 FT
RESISTIVE	0.5 AMP 0.5 AMP
	1 AMP 1 AMP
MAXIMUM INRUSH 2 AMP	
KEMA CE	1A 250 V - T125 25E3
UL CSA	1A 125 VAC

DESIGN UNITS: INCH
TOLERANCES UNLESS NOTED:
NO PLACE .X ±
ONE PLACE .X ±
TWO PLACE .XX ±
THREE PLACE .XXX ±
FOUR PLACE .XXXX ±
ANGLES ±
THIRD ANGLE PROJECTION

DRAWN	SPK	27FEB08
CHECK	RJ	27FEB08
THIS DRAWING COVERS A PROPRIETARY ITEM AND IS THE PROPERTY OF HONEYWELL. THIS DRAWING IS NOT TO BE COPIED OR USED WITHOUT THE PERMISSION OF HONEYWELL.		
INTERPRET PER ANSI Y14.5M-1982 OTHER HONEYWELL ENGINEERING STANDARDS MAY APPLY		
RASTER		

Honeywell			
TITLE SWITCH - BASIC			
SIZE	TYPE	DRAWING NAME	REV
B	I	313SX30-T	8
SCALE	-	WEIGHT:.003 LB MAX	SHEET 1 OF 1

4

3

2

1