

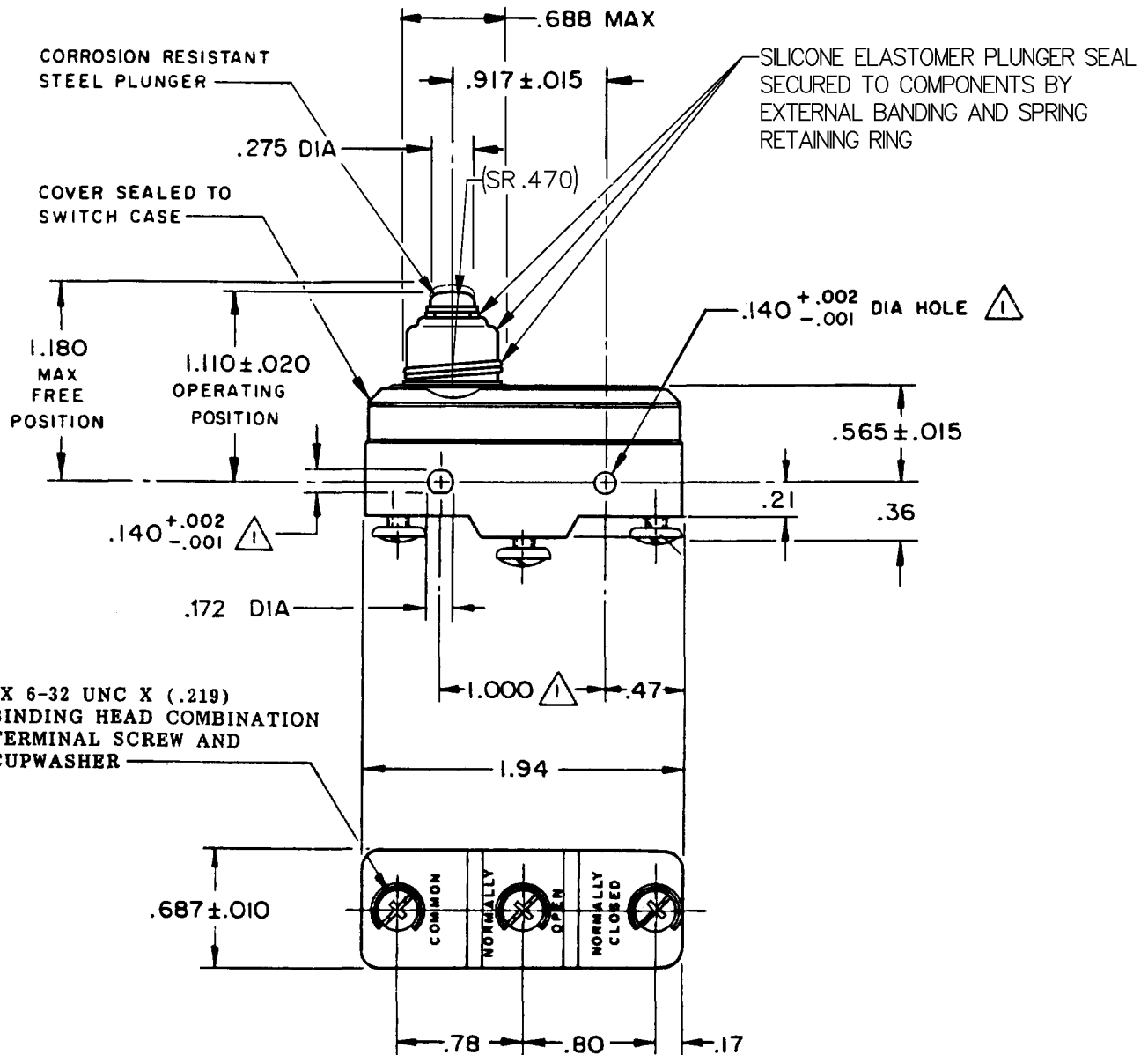
MICRO SWITCH

FREERPORT ILLINOIS, U.S.A.
A DIVISION OF HONEYWELL
FED. MFG. CODE 91929

SWITCH-BASIC

CATALOG LISTING

BZ-2RDS-A2-S

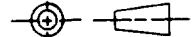


NOTES

- ① MOUNTING HOLES WILL ACCEPT PINS OR SCREWS OF .139 MAX ON 1.000 ± .002 CENTERS
- 2 - SEALED CONSTRUCTION PROVIDES SPLASH RESISTANCE

THIS DRAWING COVERS A PROPRIETARY ITEM AND IS THE PROPERTY OF MICRO SWITCH, A DIVISION OF HONEYWELL. THIS DRAWING IS NOT TO BE COPIED OR USED WITHOUT THE APPROVAL OF MICRO SWITCH.

THIRD ANGLE PROJECTION



CHARACTERISTICS	ELECTRICAL DATA	SCALE FULL																								
OPERATING FORCE ——— 13-19 OZ	CONTACT ARRANGEMENT S P D T	DO NOT SCALE PRINT																								
RELEASE FORCE ——— 4 OZ MIN	L96 15A 125, 250 OR 480 VAC 1/8HP 125 VAC, 1/4HP 250 VAC 1/2A 125 VDC, 1/4A 250 VDC	TOLERANCES APPLY TO DESIGN UNITS CONVERSIONS ARE ONLY FOR REFERENCE. UNLESS NOTED, TOLERANCES ARE 2																								
DIFFERENTIAL TRAVEL — .0004 - .0025	L288 L299 L306	<table border="1"> <thead> <tr> <th>DIM.</th> <th>TOL.</th> <th>DIM.</th> <th>TOL.</th> </tr> <tr> <th>mm</th> <th>mm/in</th> <th>in</th> <th>mm/in</th> </tr> </thead> <tbody> <tr> <td>NO PLACES</td> <td>X</td> <td>1/04</td> <td></td> </tr> <tr> <td>ONE PLACE</td> <td>X, X</td> <td>0.4/016</td> <td>X X 0.8/03</td> </tr> <tr> <td>TWO PLACES</td> <td>X, XX</td> <td>0.15/008</td> <td>X XX 0.38/015</td> </tr> <tr> <td>THREE PLACES</td> <td>X, XXX</td> <td>0.15/008</td> <td>X XXX 0.15/005</td> </tr> </tbody> </table>	DIM.	TOL.	DIM.	TOL.	mm	mm/in	in	mm/in	NO PLACES	X	1/04		ONE PLACE	X, X	0.4/016	X X 0.8/03	TWO PLACES	X, XX	0.15/008	X XX 0.38/015	THREE PLACES	X, XXX	0.15/008	X XXX 0.15/005
DIM.	TOL.	DIM.	TOL.																							
mm	mm/in	in	mm/in																							
NO PLACES	X	1/04																								
ONE PLACE	X, X	0.4/016	X X 0.8/03																							
TWO PLACES	X, XX	0.15/008	X XX 0.38/015																							
THREE PLACES	X, XXX	0.15/008	X XXX 0.15/005																							
OVERTRAVEL ——— .062 MIN		<table border="1"> <thead> <tr> <th>DESIGN UNITS</th> <th>SI METRIC</th> <th>US CUSTOMARY</th> </tr> </thead> <tbody> <tr> <td></td> <td><input type="checkbox"/></td> <td><input checked="" type="checkbox"/></td> </tr> </tbody> </table>	DESIGN UNITS	SI METRIC	US CUSTOMARY		<input type="checkbox"/>	<input checked="" type="checkbox"/>																		
DESIGN UNITS	SI METRIC	US CUSTOMARY																								
	<input type="checkbox"/>	<input checked="" type="checkbox"/>																								
	16A 250V ~ T85 5E4	WEIGHT .076 LB																								

FORMTEK
 DRAWING NUMBER: **M BZ-2RDS-A2-S**
 PAGE 1 OF 1
 ISSUE: **8**
 REVISIONS:
 A CO 39621 T M M 16 DEC 77
 B CO67209 J A P 3 MAY 90
 C CO71458 J A L 21 NOV 91
 D CO-73287-J J A L 22 NOV 93
 E CO-77588 K D R 29 MAR 94
 F CO83108 G J W 10 JUN 96
 G CO93346 D L T 8 SEP 98
 CHECK: **COLH 17 OCT 77**
 CHECK: **COLH 13 OCT 77**
 REPLACES: **PR-6725**