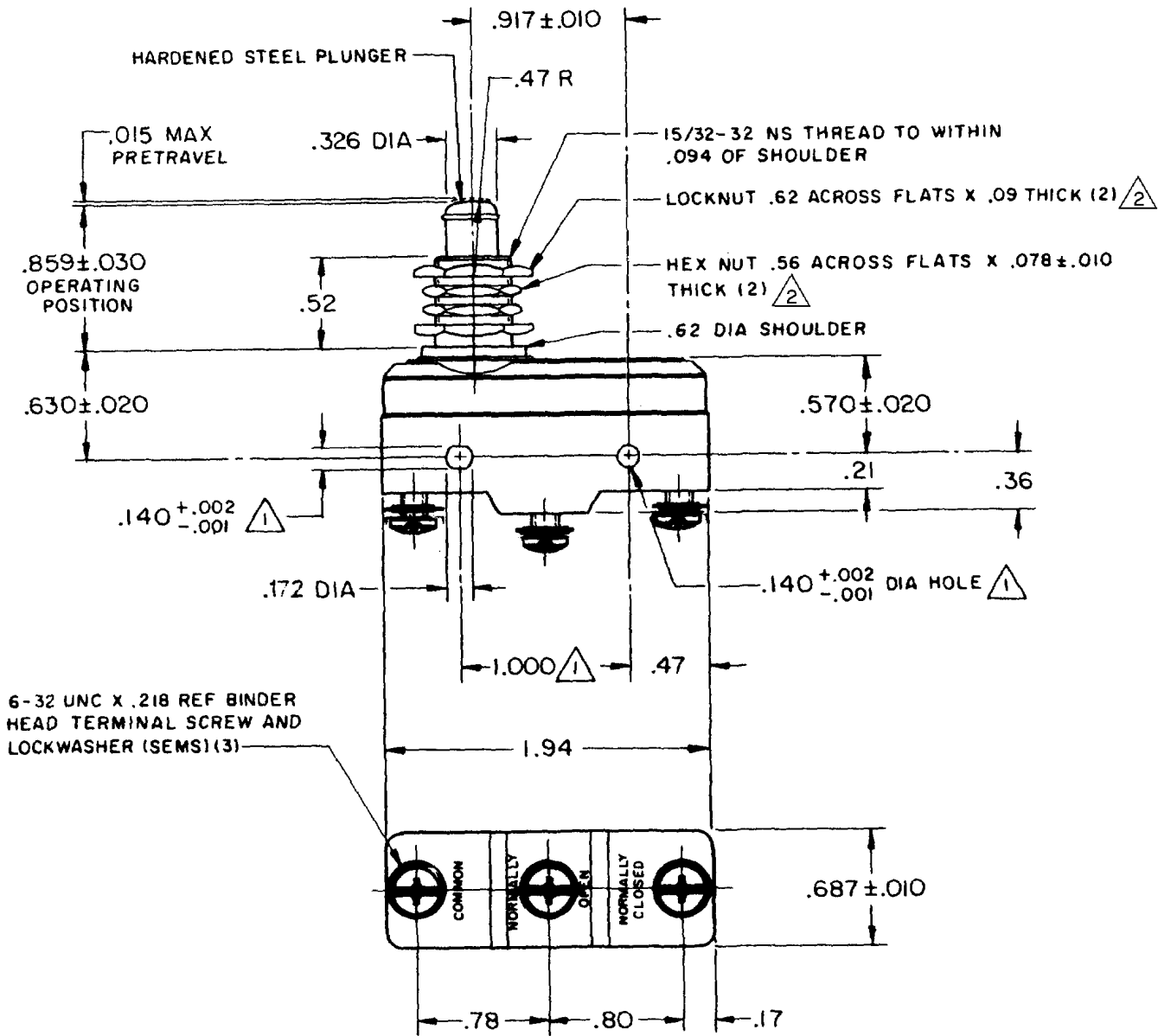


FED. MFG. CODE 91929

**BZ-2RQ1T**  
 PAGE 1 OF 1  
**M**  
 DRAWING NUMBER  
 ISSUE 15  
 REVISIONS  
 A CO 17410  
 G C H 20 MAY 63  
 B CO 21231  
 R E R 21 MAR 66  
 C CO-59351-D  
 JWB 18 JUL 91  
 D CO-77589  
 K D R 29 MAR 94  
 E CO-82133  
 CSL 25 JUL 96  
 F CO93346  
 DLT 10 SEP 98  
 FORMTEK  
 FO-50376  
 DRAWN  
 G C H 20 MAY 63  
 CHECK L.S.D. 15 JUN 63  
 CHECK  
 RELEASE NO.  
 CHECK  
 REPLACES



- NOTES
- ① MOUNTING HOLES WILL ACCEPT PINS OR SCREWS OF .139 MAX DIA ON 1.000±.002 CENTERS
  - ② HARDWARE FURNISHED UNASSEMBLED

THIS DRAWING COVERS A PROPRIETARY ITEM AND IS THE PROPERTY OF MICRO SWITCH, A DIVISION OF MINNEAPOLIS-HONEYWELL REGULATOR CO. THIS DRAWING IS NOT TO BE COPIED OR USED WITHOUT THE APPROVAL OF MICRO SWITCH.

CHARACTERISTICS	
OPERATING FORCE	9-13 OZ
RELEASE FORCE	4 OZ MIN
DIFFERENTIAL TRAVEL	.0004-.0020
OVERTRAVEL	.219 MIN

ELECTRICAL DATA	
CONTACT ARRANGEMENT S P D T	
UNDERWRITERS' LAB. INC. LISTED RATING	
-L96-	15 A-125, 250, OR 480 VAC 1/2 A-125 VDC, 1/4 A-250 VDC 1/8 HP-125 VAC, 1/4 HP-250 VAC
-L288-	 16A 250V ~ T85 5E4
-L299-	
-L306-	

SCALE FULL	
DO NOT SCALE PRINT	
UNLESS OTHERWISE NOTED	
DIMENSIONS ARE IN INCHES	
TOLERANCES ARE:	
ONE PLACE (.0)	±.030
TWO PLACE (.00)	±.015
THREE PLACE (.000)	±.005
ANGLES	±
WEIGHT .094 LB	