



MICRO SWITCH

FREERPORT, ILLINOIS, U.S.A.
A DIVISION OF HONEYWELL

FED. MFG. CODE 91929

SWITCH - BASIC

CATALOG LISTING

BZ-2RQ1

DRAWING NUMBER
BZ-2RQ1

PAGE 1 OF 1

ISSUE
M

16

REVISIONS

A	CO17410	G C H	9 SEP 63
B	CO46304	R J H	21 NOV 79
C	CO58037	SMA	1 OCT 85
D	CO78874	DLT	18 NOV 94
E	CO-82133	CSL	29 JUL 96
F	CO93346	DLT	10 SEP 98
G	CO-94212-J	J J A	5 OCT 99

FORMTEK
FC-90378

DRAWN
G C H

REPLACES

RELEASE NO.

CHECK

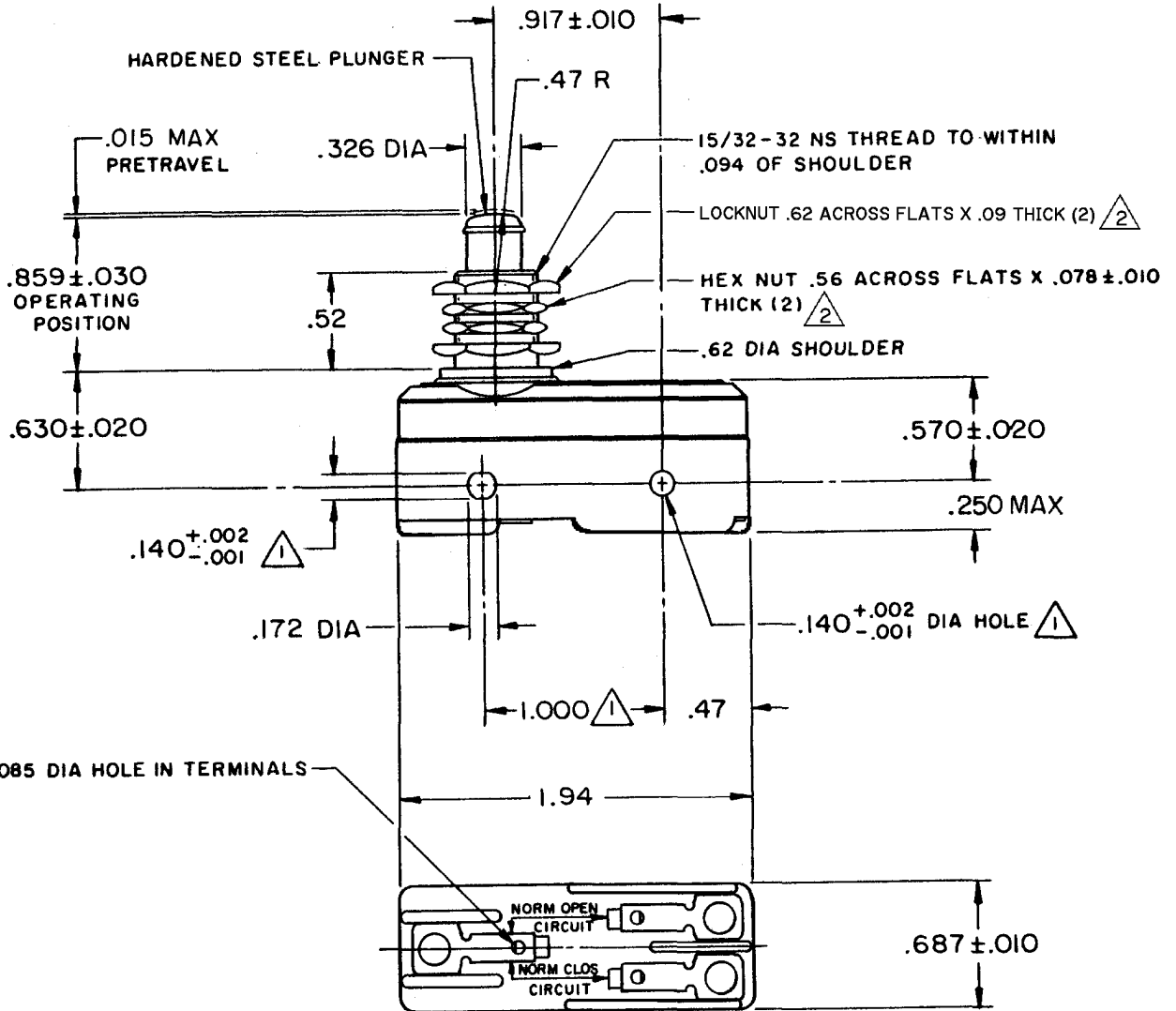
CHECK

30, SEPT 63

DAW

CHECK

9 SEP 63



- NOTES
- ① MOUNTING HOLES WILL ACCEPT PINS OR SCREWS OF .139 MAX DIA ON 1.000±.002 CENTERS
 - ② HARDWARE FURNISHED UNASSEMBLED

THIS DRAWING COVERS A PROPRIETARY ITEM AND IS THE PROPERTY OF MICRO SWITCH, A DIVISION OF MINNEAPOLIS-HONEYWELL REGULATOR CO. THIS DRAWING IS NOT TO BE COPIED OR USED WITHOUT THE APPROVAL OF MICRO SWITCH.

CHARACTERISTICS	ELECTRICAL DATA	SCALE FULL
OPERATING FORCE ----- 9-13 OZ	CONTACT ARRANGEMENT S P D T	DO NOT SCALE PRINT
RELEASE FORCE ----- 4 OZ MIN	UNDERWRITERS' LAB. INC. LISTED RATING -L96- 15 A - 125, 250, OR 480 VAC 1/2 A - 125 VDC; 1/4 A - 250 VDC 1/8 HP - 125 VAC; 1/4 HP - 250 VAC	UNLESS OTHERWISE NOTED DIMENSIONS ARE IN INCHES
DIFFERENTIAL TRAVEL ---- .0004 - .0020	-L288- -L299- -L306-	TOLERANCES ARE: ONE PLACE (.0) ±.030 TWO PLACE (.00) ±.015 THREE PLACE (.000) ±.005 ANGLES ±
OVERTRAVEL ----- .219 MIN	16A 250V ~ T85 5E4	WEIGHT .081 LB