

MICRO SWITCH

SWITCH - BASIC

FED. MFR. CODE 91929

BA-2RV2-A2
ISSUE 2

BA-2RV2-A2
PAGE 1 OF 1

M
DRAWING NUMBER

8
ISSUE

REVISIONS

A	CO	15483	G C H	15 DEC 81
B	CO	34312	D B W	25 APR 75
C	CO-	73287-J	J A L	22 NOV 93
D	CO-	75204R	JWB	FEB 94
E	CO	77590	S A B	8 JUN 94
F	CO	093346	D T	26 AUG 98

FORMTEK
0-50378
DRAWN
G C H
15 DEC 81

REPLACES

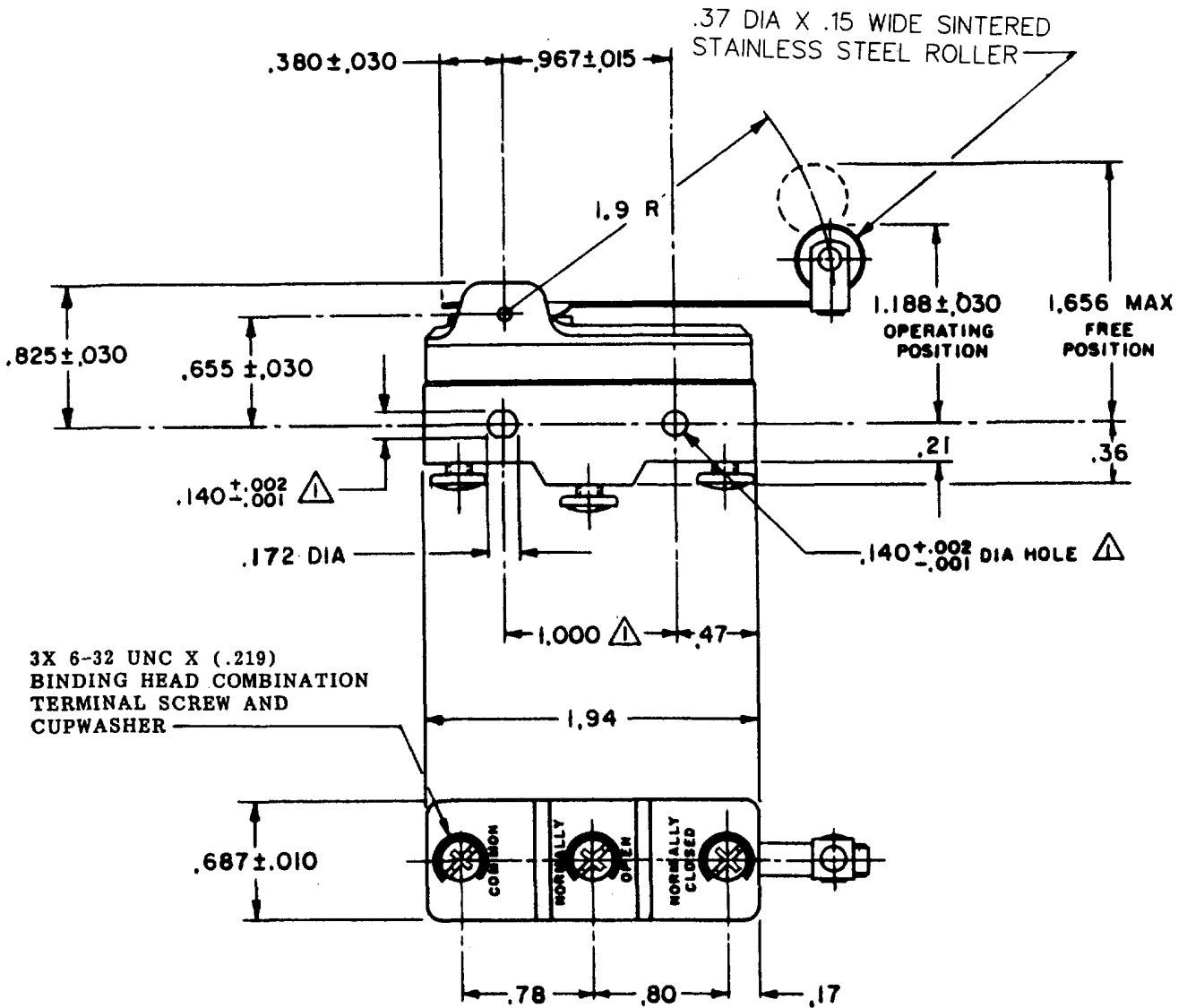
RELEASE NO.

CHECK

CHECK

CHECK

CHECK



3X 6-32 UNC X (.219)
BINDING HEAD COMBINATION
TERMINAL SCREW AND
CUPWASHER

NOTE -
▲ - MOUNTING HOLES WILL ACCEPT PINS OR SCREWS
OF .139 MAX DIA ON 1.000 ± .002 CENTERS

THIS DRAWING COVERS A PROPRIETARY ITEM AND IS THE PROPERTY OF MICRO SWITCH, A DIVISION OF MINNEAPOLIS-HONEYWELL REGULATOR CO. THIS DRAWING IS NOT TO BE COPIED OR USED WITHOUT THE APPROVAL OF MICRO SWITCH.

CHARACTERISTICS	ELECTRICAL DATA	SCALE --- FULL
OPERATING FORCE----- 3 1/2 OZ MAX	CONTACT ARRANGEMENT S P D T	DO NOT SCALE PRINT
RELEASE FORCE----- 1/2 OZ MIN	L23 UNDERWRITERS' LAB. INC. LISTED RATING 20A - 125, 250 OR 480 VAC 10A - 125 VAC "L" 1HP - 125 VAC, 2HP - 250 VAC 1/2A - 125 VDC, 1/4A - 250 VDC	UNLESS OTHERWISE SPECIFIED DIMENSIONS ARE IN INCHES TOLERANCES ARE: ONE PLACE (.0) ±.030 TWO PLACE (.00) ±.015 THREE PLACE (.000) ±.005 ANGLES ±
PRETRAVEL----- .468 MAX	L288 L299 L308	WEIGHT
DIFFERENTIAL TRAVEL----- .085 MAX	CE D SA 20(3)A 250V ~ T85 5E4	
OVERTRAVEL----- .060 MIN		